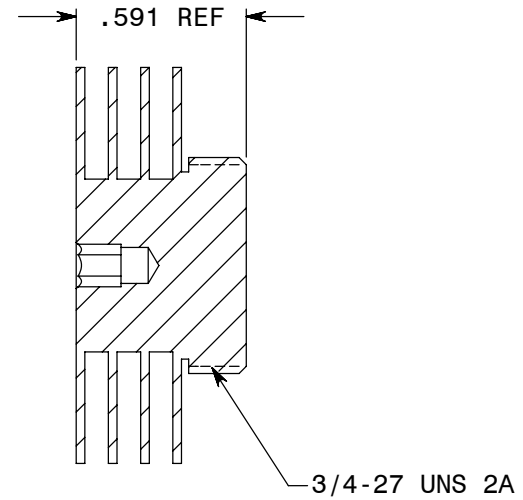
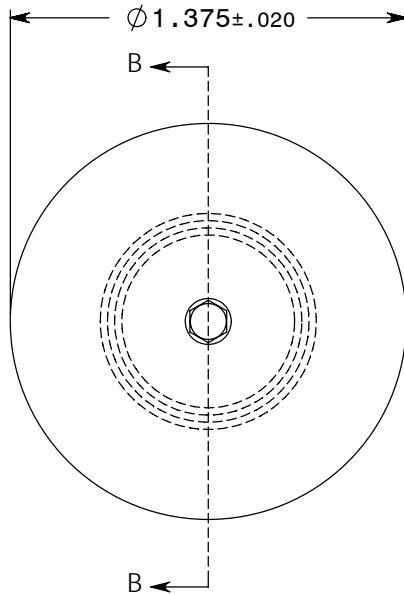


REVISION(S)			
LTR	DESCRIPTION	INIT	APP'D
A	NEW RELEASE	E.T 10/23/07	B.P 10/25/07



SECTION B-B

NOTES:

UNLESS OTHERWISE SPECIFIED

1. INTERPRET DRAWING PER ASME Y14.5M - 1994.
2. RoHS COMPLIANT AND CERTIFIED.

P/N	MATERIAL	FINISH
1542233-4	1542233-2	ANODIZE. BLACK SALEABLE PACKAGED VERSION

CUSTOMER DRAWING

SPECIFICATIONS ARE SUBJECT TO CHANGE WITHOUT NOTICE

DO NOT SCALE	Tyco Electronics North Attleboro, Massachusetts 02763			<small>CONFIDENTIAL PROPERTY OF TYCO ELECTRONICS. NOT TO BE DISCLOSED TO OTHERS. REPRODUCED OR USED FOR ANY PURPOSES EXCEPT AS AUTHORIZED IN WRITING BY AN AUTHORIZED OFFICIAL OF TYCO ELECTRONICS. MUST BE RETURNED TO TYCO ELECTRONICS ON DEMAND, ON COMPLETION OF ORDERS OR OTHER PURPOSES FOR WHICH LENT.</small>		TITLE:				
	UNLESS OTHERWISE SPECIFIED TOLERANCES ARE:		DRAWN BY: K.B.			DATE: 4/10/00		HEAT SINK (HTS595)		
	ANGLES = ±1° FRACTIONS = ± .02 .XX = ± .010 .XXX = ± .005		ENGINEER: C.R.		DATE: 4/10/00		DIMENSIONS ARE IN:		SCALE: 1.5:1	PART NO: 1542233-4
			FILENAME: PROJECT: SYSTEM:		MATERIAL: SEE TABLE		INCHES		SIZE: A	DWG. NO. C-1542233-4

