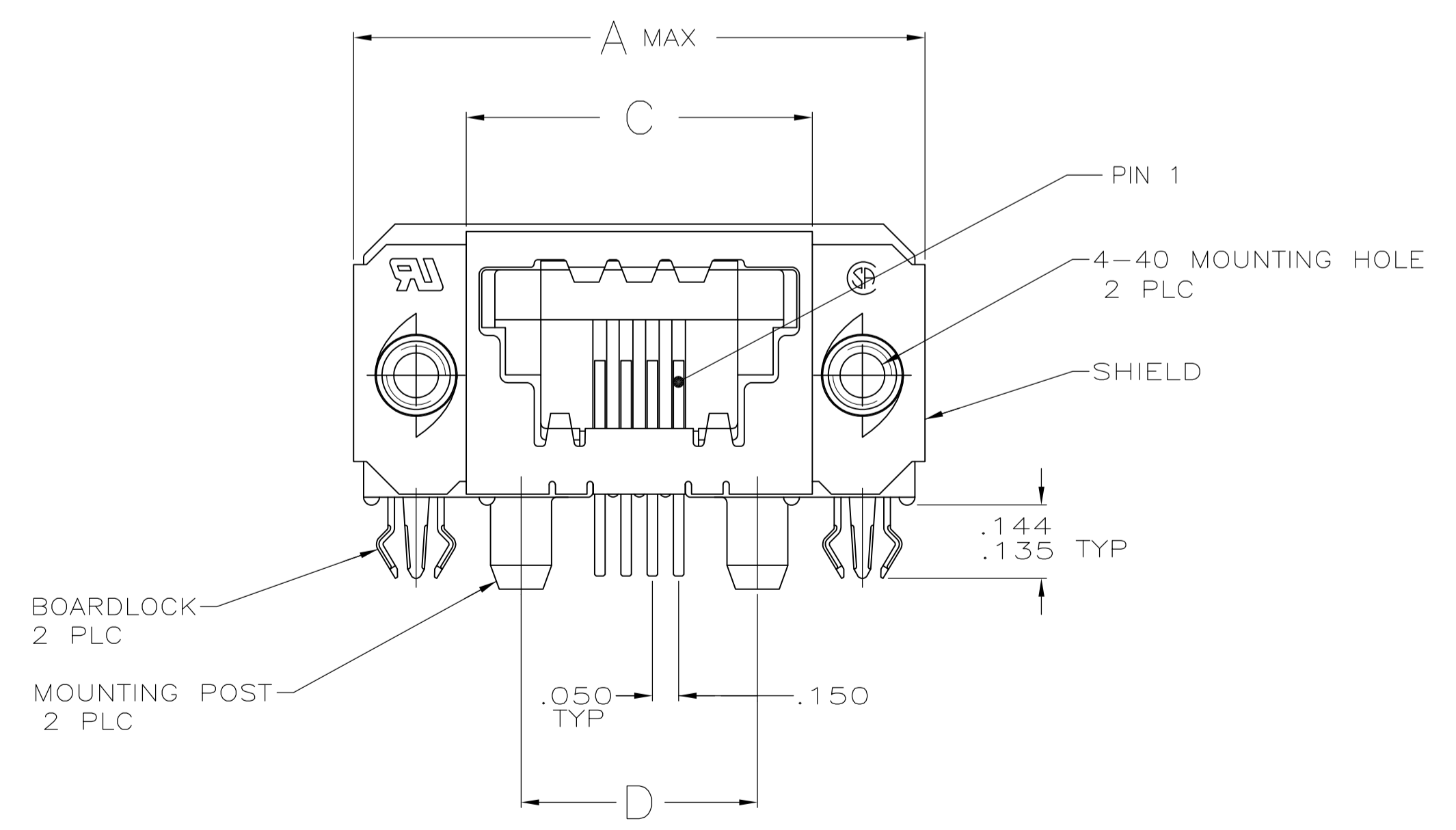
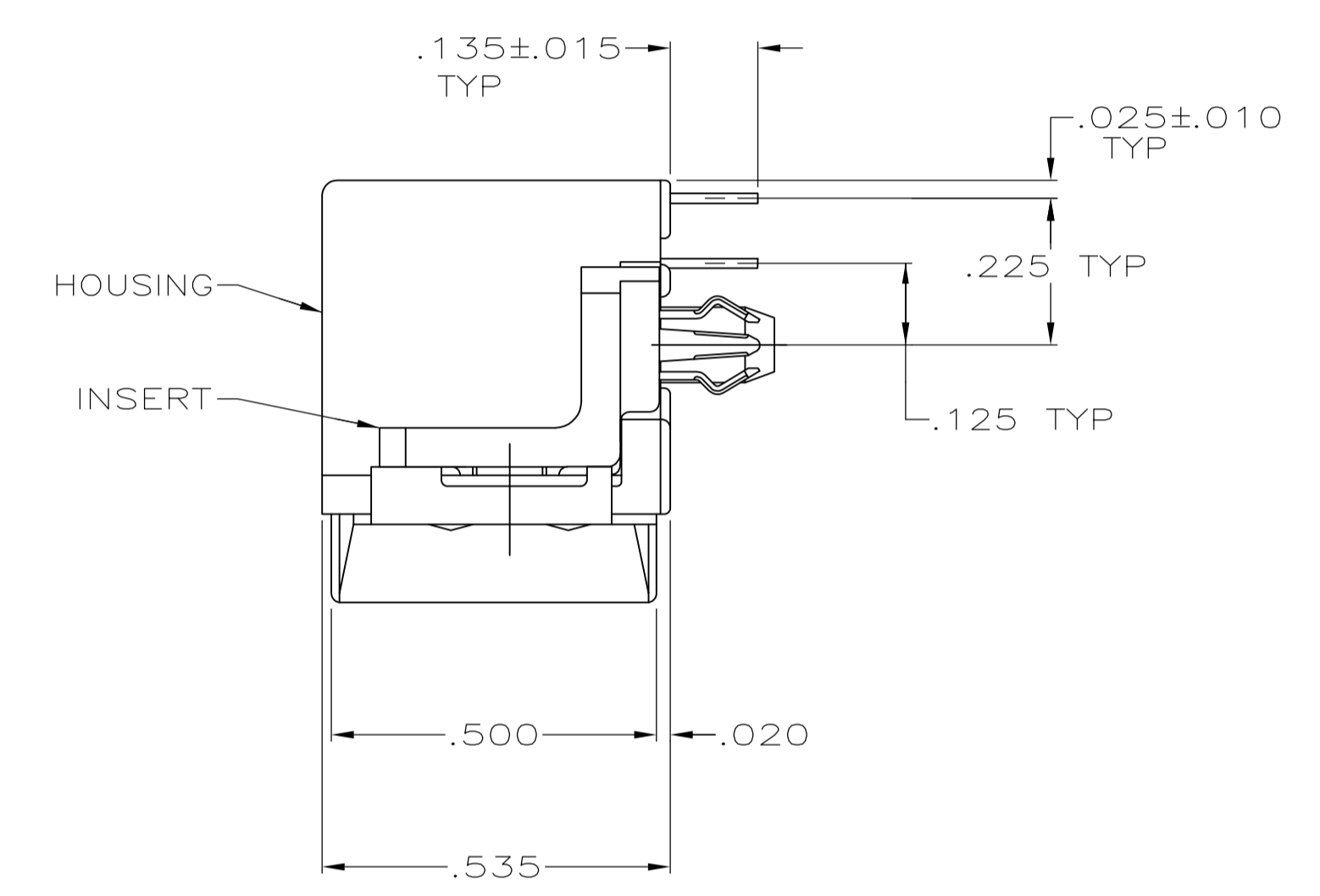
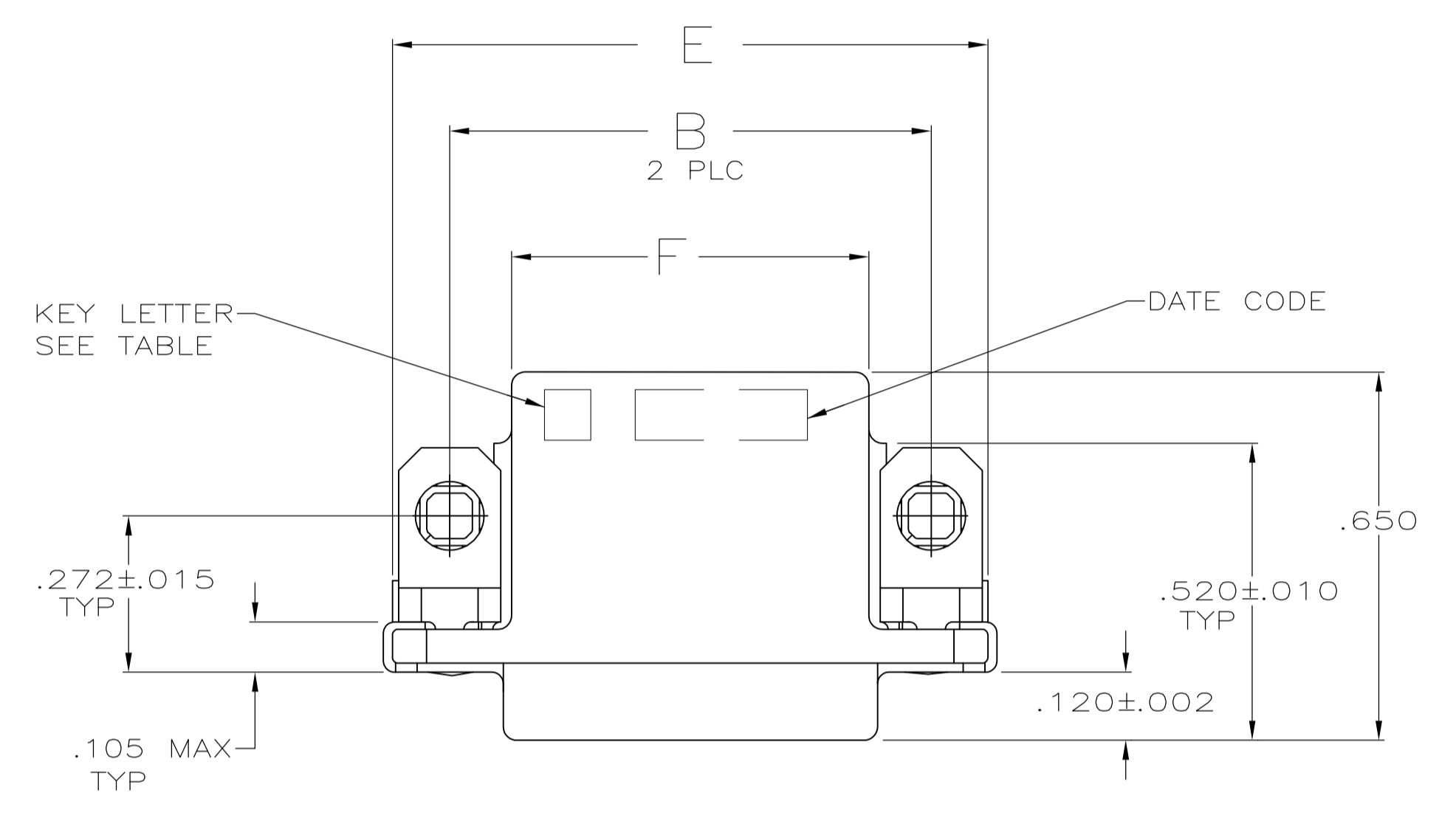


- ⚠ HOUSING: POLYESTER, FLAME RETARDANT, UL 94V-0 RATED, GLASS FILLED, BLACK.  
SHIELD: BRASS  
INSERT: ZINC ALLOY  
BOARDLOCKS: COPPER ALLOY
- ⚠ SHIELD: .000030 MIN BRIGHT TIN OVER .000050 MIN NICKEL.  
CONTACTS: .000150 MIN MATTE TIN ON SOLDER END, .000050 MIN GOLD ON MATING END FOR A LENGTH OF .100 MIN ON MATING SURFACE, ALL OVER .000050 MIN NICKEL ON ENTIRE CONTACT.  
INSERTS: .000150 MIN NICKEL OVER .000100 MIN COPPER.  
BOARDLOCKS: .000200 MIN TIN OVER .000050 MIN NICKEL.
- ⚠ GOLD PLATING PER MIL-G-45204, NICKEL PLATING PER QQ-N-290, TIN PLATING PER MIL-T-10727.



OBSOLETE	1.230	1.650	1.050	1.260	1.450	1.700	16	E	5-1761199-6
	.830	1.250	.650	.860	1.050	1.300	8	E	5-1761199-3
	.630	1.050	.450	.660	.850	1.100	4	E	5-1761199-1
	.630	1.050	.450	.660	.850	1.100	4	D	4-1761199-1
OBSOLETE	.630	1.050	.450	.660	.850	1.100	4	C	3-1761199-1
OBSOLETE	.630	1.050	.450	.660	.850	1.100	4	B	2-1761199-1
	1.230	1.650	1.050	1.260	1.450	1.700	16	A	1-1761199-6
	.830	1.250	.650	.860	1.050	1.300	8	A	1-1761199-3
	.730	1.150	.550	.760	.950	1.200	6	A	1-1761199-2
	.630	1.050	.450	.660	.850	1.100	4	A	1-1761199-1
	F	E	D	C	B	A	NO OF POSN	KEY LETTER	PART NO

THIS DRAWING IS A CONTROLLED DOCUMENT.

DIMENSIONS: INCHES	TOLERANCES UNLESS OTHERWISE SPECIFIED:	DIN B MCMASTER 30APR04	APPROVED: M. WALSLEY 30APR04	NAME: RECEPTACLE ASSEMBLY, SIDE ENTRY, SDL
0 PLC ± -	1 PLC ± -	2 PLC ± -	3 PLC ± .005	4 PLC ± -
ANGLES ± -				
MATERIAL: 1	FINISH: 3, 2	SIZE: A1	WEIGHT: 100779	SCALE: 4:1
CUSTOMER DRAWING		DATE: 00779	DRAWING NO: 1761199	SHEET: 1 OF 1