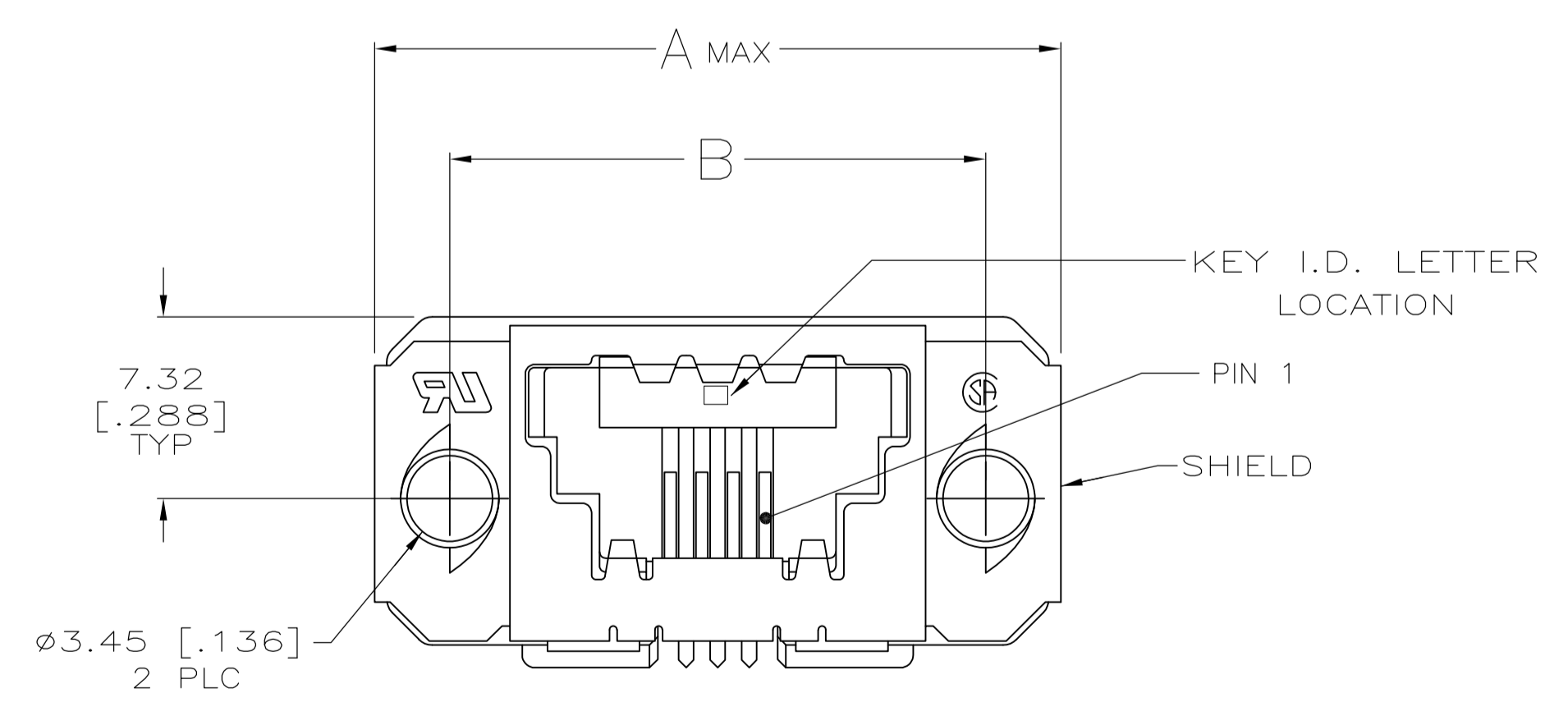
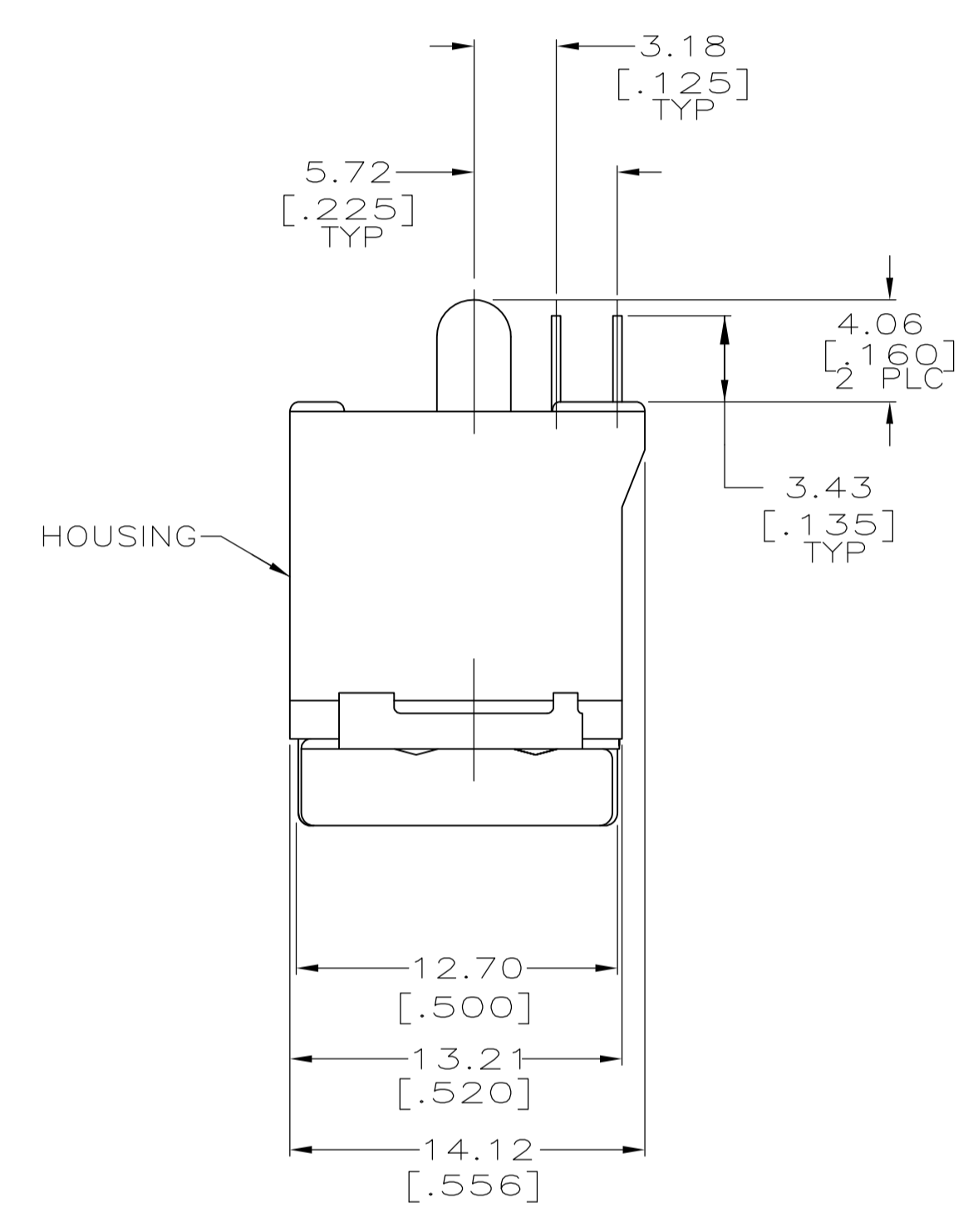
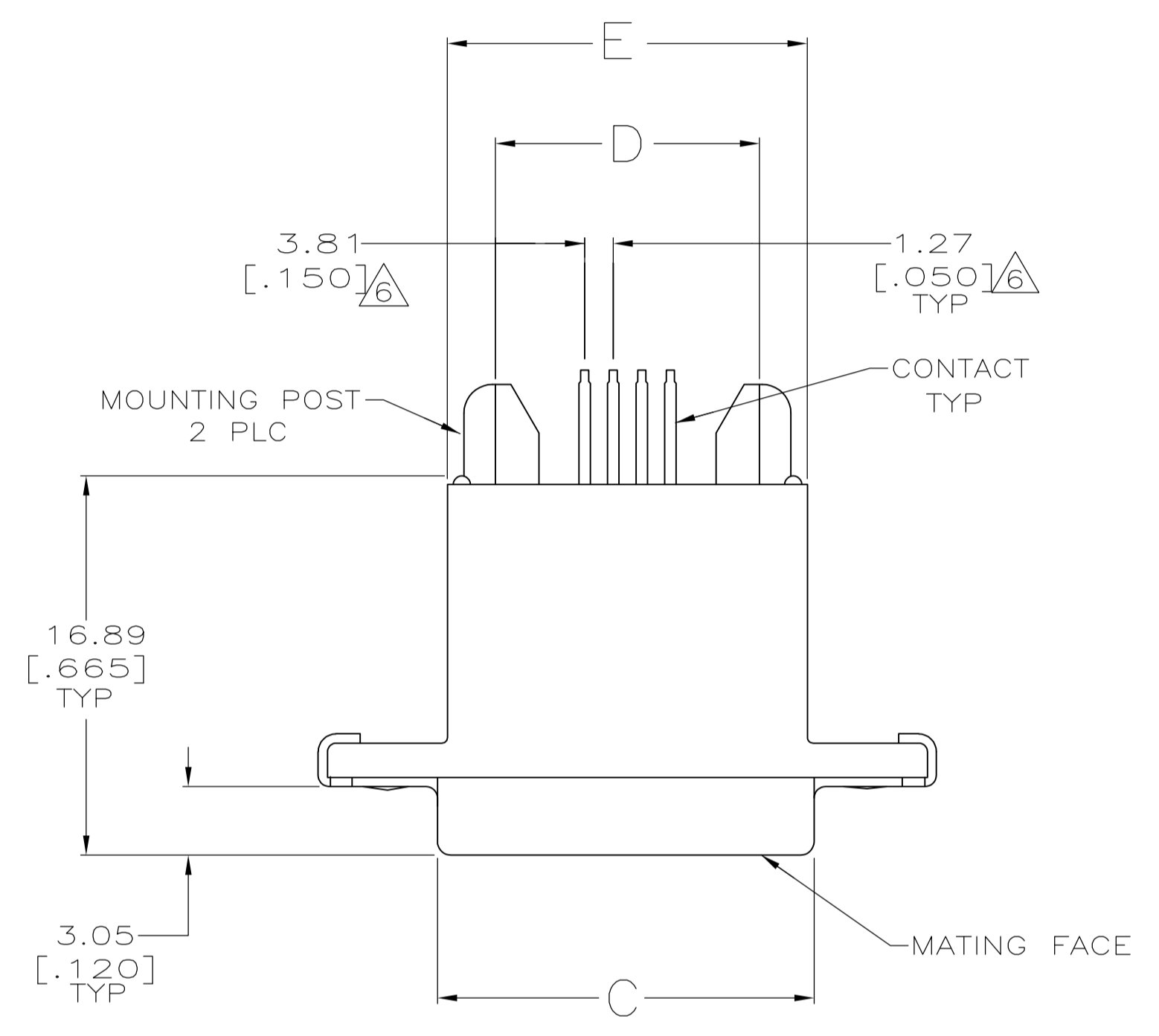


- PREFIX AND SUFFIX NUMBERS MUST MATCH THOSE ON PLUG ASSEMBLY FOR PARTS TO MATE.
- POLYESTER, FLAME RETARDANT, UL 94V-0 RATED, GLASS FILLED, BLACK.
- 0.76µm [.000030] MIN BRIGHT TIN OVER 1.27µm [.000050] MIN NICKEL.
- 1.27µm [.000050] MIN GOLD ON MATING SURFACE FOR A LENGTH OF 2.54 [.100] MIN, 3.81µm [.000150] MIN MATTE TIN ON OPPOSITE END FOR A LENGTH OF 3.81 [.150] MIN, BOTH OVER 1.27µm [.000050] MIN NICKEL ON ENTIRE CONTACT.
- OBSOLETE



	31.24 [1.230]	26.67 [1.050]	31.98 [1.259]	36.83 [1.450]	43.18 [1.700]	16	E	5-1761183-6
	21.08 [.830]	16.51 [.650]	21.82 [.859]	26.67 [1.050]	33.02 [1.300]	8	E	5-1761183-3
	18.54 [.730]	13.97 [.550]	19.28 [.759]	24.13 [.950]	30.48 [1.200]	6	E	5-1761183-2
	16.00 [.630]	11.43 [.450]	16.74 [.659]	21.59 [.850]	27.94 [1.100]	4	E	5-1761183-1
	16.00 [.630]	11.43 [.450]	16.74 [.659]	21.59 [.850]	27.94 [1.100]	4	D	4-1761183-1
	21.08 [.830]	16.51 [.650]	21.82 [.859]	26.67 [1.050]	33.02 [1.300]	8	C	3-1761183-3
	16.00 [.630]	11.43 [.450]	16.74 [.659]	21.59 [.850]	27.94 [1.100]	4	C	3-1761183-1
	31.24 [1.230]	26.67 [1.050]	31.98 [1.259]	36.83 [1.450]	43.18 [1.700]	16	A	1-1761183-6
	21.08 [.830]	16.51 [.650]	21.82 [.859]	26.67 [1.050]	33.02 [1.300]	8	A	1-1761183-3
	18.54 [.730]	13.97 [.550]	19.28 [.759]	24.13 [.950]	30.48 [1.200]	6	A	1-1761183-2
	16.00 [.630]	11.43 [.450]	16.74 [.659]	21.59 [.850]	27.94 [1.100]	4	A	1-1761183-1
E	D	C	B	A	NO OF POSN	KEY I.D. LETTER	PART NO	

THIS DRAWING IS A CONTROLLED DOCUMENT.

DIMENSIONS: mm [INCHES]	TOLERANCES UNLESS OTHERWISE SPECIFIED:	DIN B MCMMASTER 20APR04	RoHS	Tyco Electronics Corporation Harrisburg, PA 17105-3608
0 PLC ± -	1 PLC ± -	20APR04	RoHS	
2 PLC ± -	3 PLC ± -.038 [.015]	APVD M. WALMSLEY 20APR04	RoHS	
4 PLC ± -	ANGLES ± -	NAME	RoHS	
MATERIAL	FINISH	PRODUCT SPEC	RoHS	
		108-2047	RoHS	
		APPLICATION SPEC	RoHS	
		114-2081	RoHS	
		WEIGHT	RoHS	
		A1 00779	RoHS	
		C=1761183	RoHS	
		CUSTOMER DRAWING	RoHS	

SCALE 4:1 SHEET 1 OF 1 REV B2