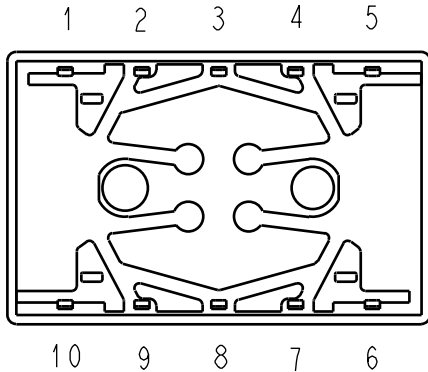
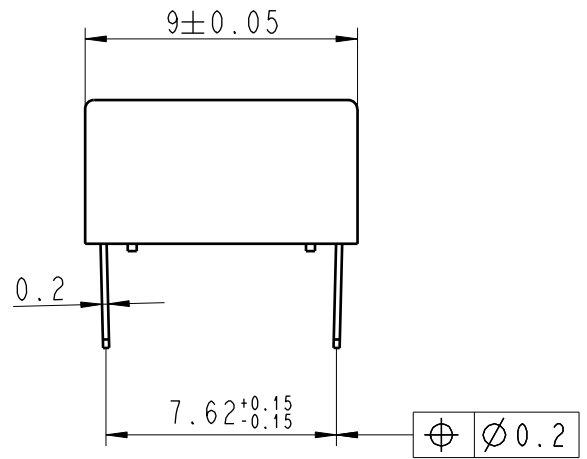
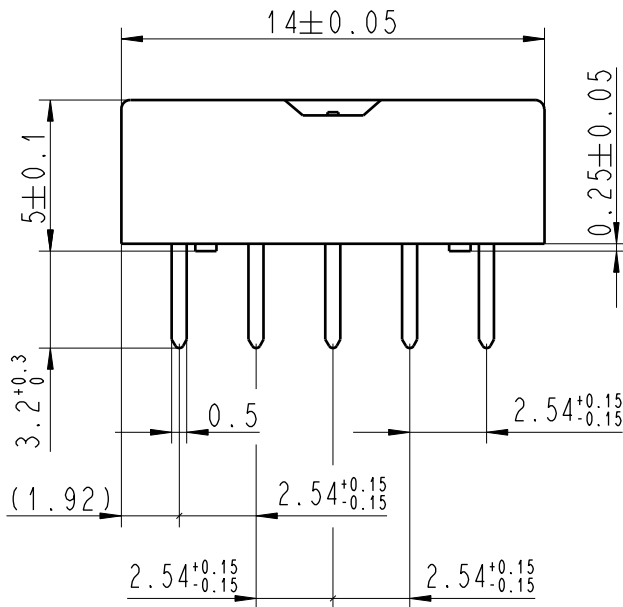


LOC	DIST	REVISIONS					
		P	LTR	DESCRIPTION	DATE	DWN	APVD
HJ	-		A2	Doc change D02239-DOK51 to C-1462033-2	30Jan2006	UKo	HD
			A3	change marking	28Jul2006	UKo	HD



Relay - bottom view



xxxx = Relay type  
zz = nominal voltage  
YYWW = Date code

DRAWING ALIAS D02239-DOK51

2006

RELEASED FOR PUBLICATION

THIS DRAWING IS UNPUBLISHED.

© COPYRIGHT 2006 BY TYCO ELECTRONICS CORPORATION. ALL RIGHTS RESERVED.

DIMENSIONS: mm		DWN AB 9124	23Aug1995	MATERIAL	-	FINISH	-
TOLERANCES UNLESS OTHERWISE SPECIFIED: DIN 7168-m		CHK HD 9121	23Aug1995	tyco Electronics AXICOM AG CH - 8804 Au ZH			
		APVD HD 9121	23Aug1995	NAME FP2-Relay Dimensions			
0 PLC ±-		PRODUCT SPEC		SIZE		RESTRICTED TO	
1 PLC ±-		-		CAGE CODE		-	
2 PLC ±-		APPLICATION SPEC		DRAWING NO		-	
3 PLC ±-		-		C-1462033-2		-	
4 PLC ±-		WEIGHT		SCALE		SHEET 1 OF 1	
ANGLES ±-		-		4:1		REV A3	
CUSTOMER DRAWING				SCALE 4:1 SHEET 1 OF 1 REV A3			

