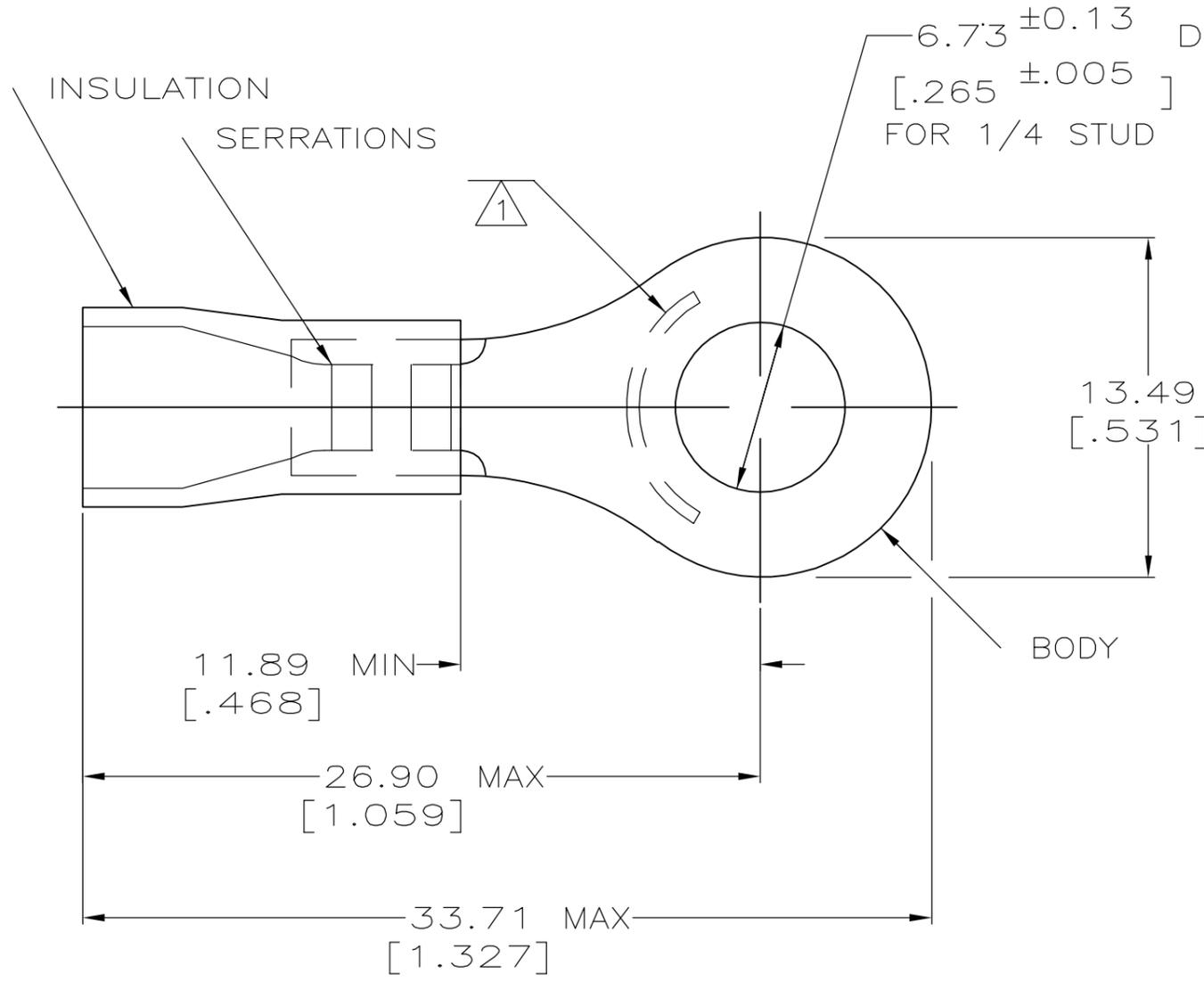


THIS DRAWING IS UNPUBLISHED. RELEASED FOR PUBLICATION
 © COPYRIGHT BY TYCO ELECTRONICS CORPORATION. ALL RIGHTS RESERVED.

| LOC | DIST | REVISIONS | | | | | |
|-----|------|-----------|-----|-----------------------|---------|-----|------|
| G | 14 | P | LTR | DESCRIPTION | DATE | DWN | APVD |
| | | | N1 | REV PER ECR 06-001832 | 22APR06 | JR | TM |

| | | |
|--------------------------------|--------------------------------|--------------------------------|
| AMP WIRE RANGE | Listed FILE E13288 | LR7189 Certified |
| 12-10 AWG SOLID OR STRANDED | 12-10 AWG SOLID OR STRANDED | 12-10 AWG SOLID OR STRANDED |



- △ 1 STAMP AMP 12-10* APPROX AS SHOWN
- 2 WIRE INSULATION DIA: .150-.250
- 3 TONGUE MATERIAL THK: 0.99 ± 0.05 [.039 ± 0.002]
- △ 4 TIN PLATE PER ASTM B 545
- △ 5 GOLD FLASH PLATE
- △ 6 INSULATION COLOR, YELLOW FOR P/N'S 34855-2-34855-1, 8-34855-2 & 8-34855-4
- △ 7 INSULATION COLOR, RED FOR P/N'S 34855-1 & 2-34855-7
- △ 8 MATERIAL: BODY - CU PER ASTM B152
SLEEVE - PVC, COLOR - SEE NOTES 6 & 7

| | | | |
|-----|------|---------------|-----------|
| △ 4 | 4 | LOOSE PC,BLS | 8-34855-4 |
| △ 4 | 50 | LOOSE PC,BOX | 8-34855-2 |
| △ 5 | 2500 | ON TAPE, REEL | 2-34855-7 |
| △ 4 | 2500 | ON TAPE, REEL | 2-34855-1 |
| △ 5 | - | LOOSE PIECE | 34855-1 |
| △ 4 | - | LOOSE PIECE | 34855 |
| | QTY | PACKAGE TYPE | PART NO. |

| | | | | | | | | | |
|--|--|---|--|---|-----------------------------------|---|--------------------|-----------------------|--------------------|
| AMP INCORPORATED CUSTOMER SERVICE SYSTEMS | | MAX RECOMMENDED OPERATING TEMPERATURE: 105°C [221°F] | THIS DRAWING IS A CONTROLLED DOCUMENT. | | DWN DK SCHRUM 08/06/92 | Tyco Electronics Corporation Harrisburg, Pa 17105-3608 | | | |
| FOR ADDITIONAL PRODUCT INFORMATION OR COPIES OF DRAWINGS AND TECHNICAL DOCUMENTS | PRODUCT INFORMATION CENTER 1-800-522-6752 | VOLTAGE RATING: N/A | DIMENSIONS: INCHES [INCHES] | TOLERANCES UNLESS OTHERWISE SPECIFIED: | CHK RE HERSEY 11/10/92 | NAME M BARNABA | | | |
| FOR APPLICATION TOOLING INFORMATION | TOOLING ASSISTANCE CENTER 1-800-722-1111 | CIRCULAR MIL AREA: 2.62-6.64mm² [5,180-13,100] SOLID OR STRANDED | | 0 PLC ± - 1 PLC ± - 2 PLC ± 0.20 [.008] 3 PLC ± - 4 PLC ± - ANGLES ± - | APVD M BARNABA 11/10/92 | PRODUCT SPEC 108-1034 | | | |
| FOR ORDER ENTRY | 1-800-526-5142 | THIS DRAWING IS A CONTROLLED DOCUMENT FOR AMP INCORPORATED. IT IS SUBJECT TO CHANGE AND THE CONTROLLING ENGINEERING ORGANIZATION SHOULD BE CONTACTED FOR THE LATEST REVISION. | MATERIAL - △ 8 | FINISH SEE NOTES 4 & 5 | APPLICATION SPEC NOT AVAILABLE | SIZE A3 | CAGE CODE 00779 | DRAWING NO C-34855 | RESTRICTED TO - |
| CUSTOMER DRAWING | | | | | WEIGHT - | SCALE 4:1 | SHEET 1 OF 1 | REV N1 | |