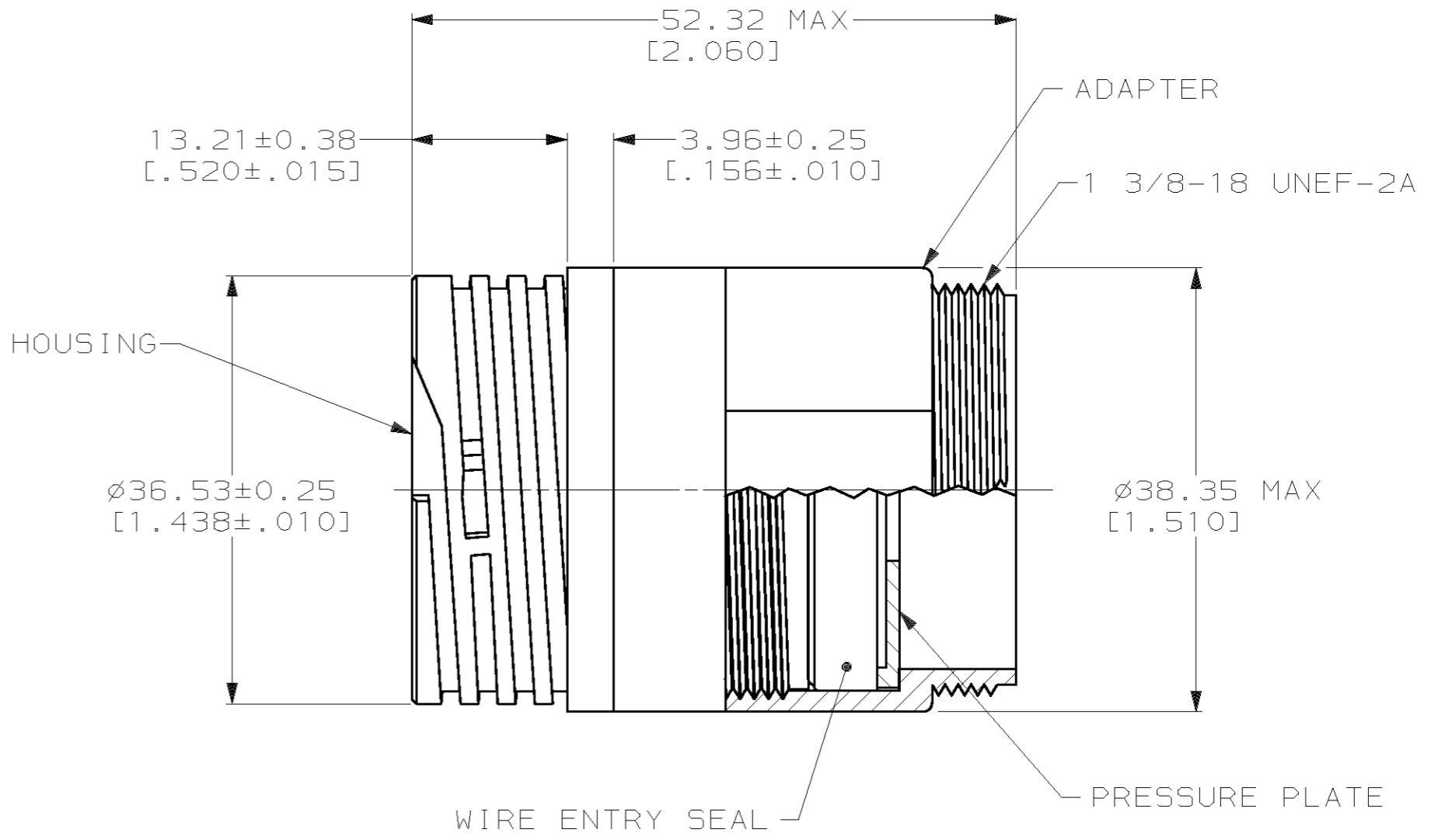
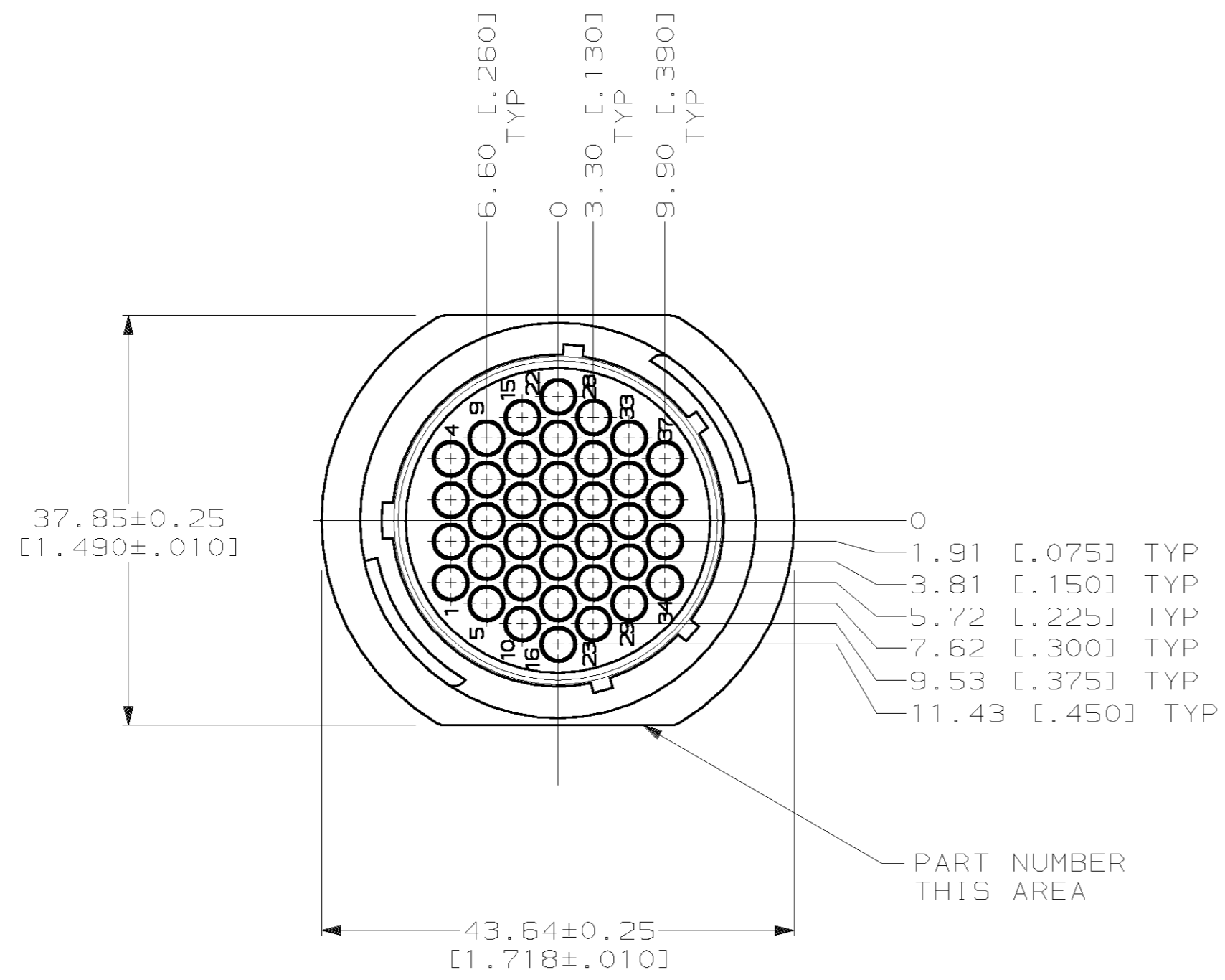


THIS DRAWING IS UNPUBLISHED. RELEASED FOR PUBLICATION .19  
 BY AMP INCORPORATED. ALL RIGHTS RESERVED.

LOC	DIST	REVISIONS					
FT	0	P	LTR	DESCRIPTION	DATE	DWN	APVD
		A		REVISE PER ECN 063B-0271-00	22JUN00	SU	KD



- 1. ADAPTER AND HOUSING: NYLON, BLACK.  
 WIRE ENTRY SEAL: ELASTOMER, RED-IRON OXIDE.  
 PERIPHERAL SEAL: ELASTOMER, GREY.
- 2. CONNECTOR WILL ACCEPT (37) MULTIMATE PIN CONTACTS.

796287-1  
 PART NUMBER

THIS DRAWING IS A CONTROLLED DOCUMENT.		DWN	11 NOV 98	AMP Incorporated Harrisburg, PA 17105-3608			
DIMENSIONS:		CHK	15NOV99				
mm [INCHES]		APVD	15NOV99				
		NAME	RCPT ASSEMBLY, SIZE 23-37, STANDARD SEX, FREE HANGING, SEALED CIRCULAR PLASTIC CONNECTOR				
TOLERANCES UNLESS OTHERWISE SPECIFIED:		PRODUCT SPEC	108-1579	SIZE	CAGE CODE	DRAWING NO	RESTRICTED TO
0 PLC	±-	APPLICATION SPEC	-	A2	00779	C- 796287	-
1 PLC	±-	WEIGHT	-	SCALE 2:1			SHEET 1 OF 1
2 PLC	±0.13 (.005)	CUSTOMER DRAWING	-	REV A			
3 PLC	±-						
4 PLC	±-						
ANGLES	±-						
FINISH	-						

796287