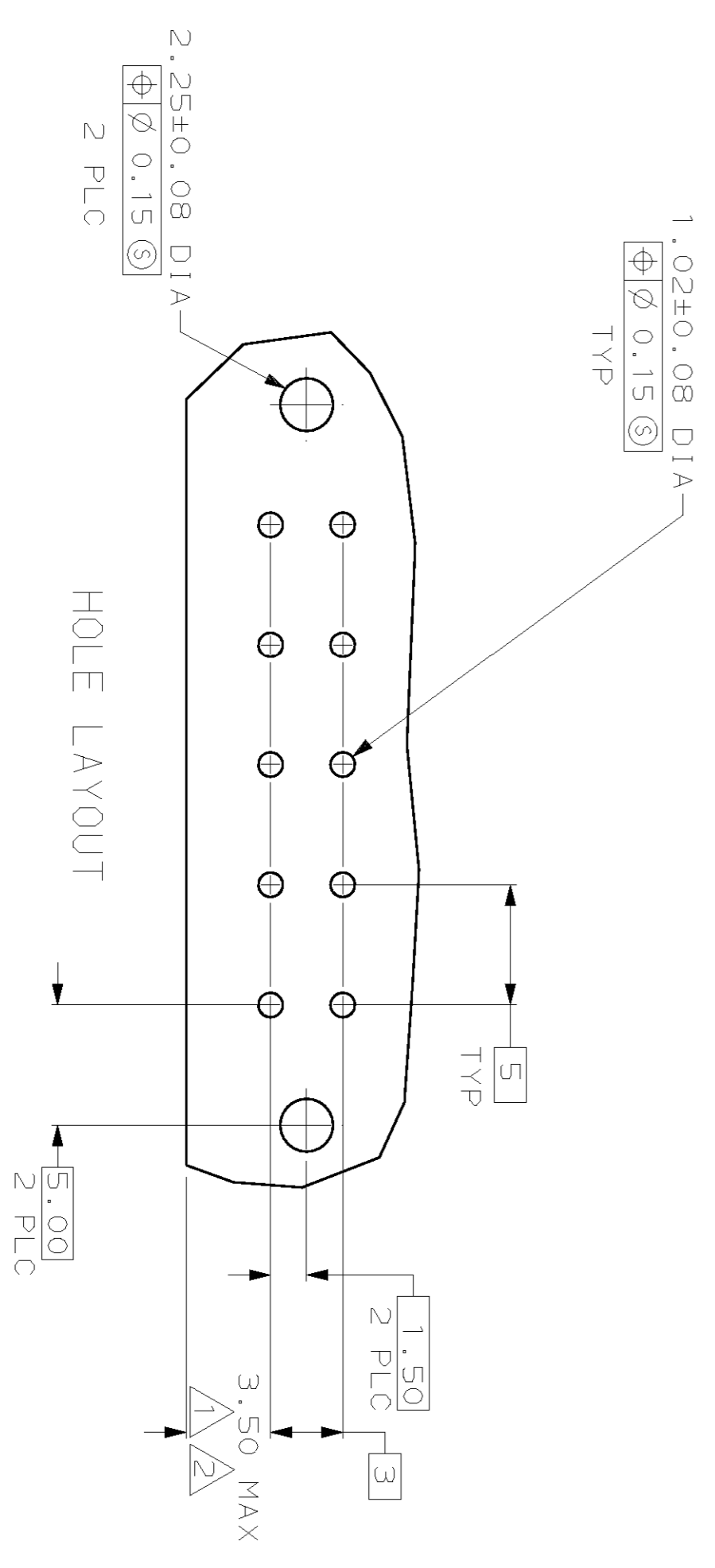
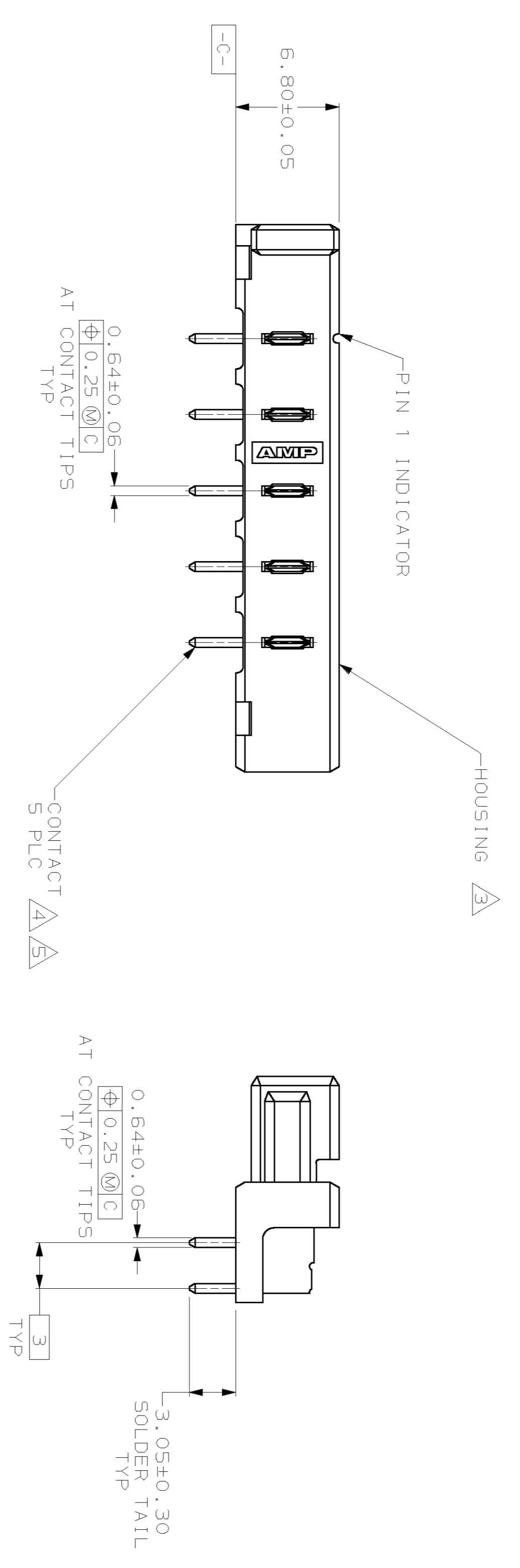


- 1 COORDINATE DIMENSION APPLIES FROM CENTER OF ACTUAL FEATURE.
- 2 DIMENSION CAN BE EXCEEDED FOR APPLICATIONS WHERE FINAL MATED POSITION OF PACK IS ABOVE TOP SURFACE OF PCB.
- 3 LCP, BLACK
- 4 2.54µm MIN TIN-LEAD ON SOLDER TAIL OVER
- 5 1.90µm MIN NICKEL ALL OVER.



DIMENSIONS: 0 R/C, 1 P/C, 2 S/C, 3 H/C, 4 R/C, 5 H/C FINISH: H R/C, H P/C, H S/C, H H/C, H R/C		DIMENSIONS: 0 R/C, 1 P/C, 2 S/C, 3 H/C, 4 R/C, 5 H/C FINISH: H R/C, H P/C, H S/C, H H/C, H R/C
DIMENSIONS: 0 R/C, 1 P/C, 2 S/C, 3 H/C, 4 R/C, 5 H/C FINISH: H R/C, H P/C, H S/C, H H/C, H R/C	DIMENSIONS: 0 R/C, 1 P/C, 2 S/C, 3 H/C, 4 R/C, 5 H/C FINISH: H R/C, H P/C, H S/C, H H/C, H R/C	DIMENSIONS: 0 R/C, 1 P/C, 2 S/C, 3 H/C, 4 R/C, 5 H/C FINISH: H R/C, H P/C, H S/C, H H/C, H R/C
DIMENSIONS: 0 R/C, 1 P/C, 2 S/C, 3 H/C, 4 R/C, 5 H/C FINISH: H R/C, H P/C, H S/C, H H/C, H R/C	DIMENSIONS: 0 R/C, 1 P/C, 2 S/C, 3 H/C, 4 R/C, 5 H/C FINISH: H R/C, H P/C, H S/C, H H/C, H R/C	DIMENSIONS: 0 R/C, 1 P/C, 2 S/C, 3 H/C, 4 R/C, 5 H/C FINISH: H R/C, H P/C, H S/C, H H/C, H R/C

787428-1
PART NUMBER

DIMENSIONS: 0 R/C, 1 P/C, 2 S/C, 3 H/C, 4 R/C, 5 H/C FINISH: H R/C, H P/C, H S/C, H H/C, H R/C	DIMENSIONS: 0 R/C, 1 P/C, 2 S/C, 3 H/C, 4 R/C, 5 H/C FINISH: H R/C, H P/C, H S/C, H H/C, H R/C	DIMENSIONS: 0 R/C, 1 P/C, 2 S/C, 3 H/C, 4 R/C, 5 H/C FINISH: H R/C, H P/C, H S/C, H H/C, H R/C
DIMENSIONS: 0 R/C, 1 P/C, 2 S/C, 3 H/C, 4 R/C, 5 H/C FINISH: H R/C, H P/C, H S/C, H H/C, H R/C	DIMENSIONS: 0 R/C, 1 P/C, 2 S/C, 3 H/C, 4 R/C, 5 H/C FINISH: H R/C, H P/C, H S/C, H H/C, H R/C	DIMENSIONS: 0 R/C, 1 P/C, 2 S/C, 3 H/C, 4 R/C, 5 H/C FINISH: H R/C, H P/C, H S/C, H H/C, H R/C
DIMENSIONS: 0 R/C, 1 P/C, 2 S/C, 3 H/C, 4 R/C, 5 H/C FINISH: H R/C, H P/C, H S/C, H H/C, H R/C	DIMENSIONS: 0 R/C, 1 P/C, 2 S/C, 3 H/C, 4 R/C, 5 H/C FINISH: H R/C, H P/C, H S/C, H H/C, H R/C	DIMENSIONS: 0 R/C, 1 P/C, 2 S/C, 3 H/C, 4 R/C, 5 H/C FINISH: H R/C, H P/C, H S/C, H H/C, H R/C