

Introduction


Product Features

- Keyed / polarized, prevents mismatching
- Lanceless contacts, no damaged tangs or tangled contacts
- Integral CPA protects against accidental unlocking
- Sleeved assembly for contact beam protection provides 50 durability cycles
- Attachment feature on pin housing provides connector clip mounting
- Integral PLR provides primary latch reinforcement with no additional assembly
- Sealing of interface and wires provides for environmental integrity
- Resistant to a wide range of chemicals
- RoHS and ELV compliant



The AMPSEAL 16 Connector System is targeted for off-road, heavy duty industrial, recreational and agricultural applications. This wire-to-wire and wire-to-device connector line was designed to meet the rigorous demands of an industry that requires the highest standards in performance.

Thermoplastic housings (–40 °C to +125 °C rated) and silicone seals allow the connectors to withstand extreme temperatures and moisture.

This connector family will feature the HDSF Size 16 Pin and Socket contacts as a terminal system.

These contacts are stamped and formed versions of the screw machined MIL-C-39029 contacts. The 2-, 3-, 4-, 6-, 8- and 12-position housings will offer a one-piece assembly for both plug and cap.

Introduction


Product Features

- 1.58 mm Pin and Socket System per MIL-C-39029
- Lanceless design
- Dual Beam Socket Contact
- Wire Size Range
0.5–2.0 mm² (20–14 AWG)
- Wire Insulation 1.3–3.7 mm
- Terminal Plating
Gold or Nickel
- Current Rating
up to 13 amps
- Vibration Performance
up to 35 G's
- RoHS and ELV compliant



The HDSF Size 16 Pin and Socket contacts system is a stamped and formed version of the screw machine MIL-C-39029 contacts.

The Tyco Electronics Size 16 contact system offers a thicker and higher performance alloy base metal, providing the following superior benefits over most of the competitive stamped and formed size 16 contact systems.

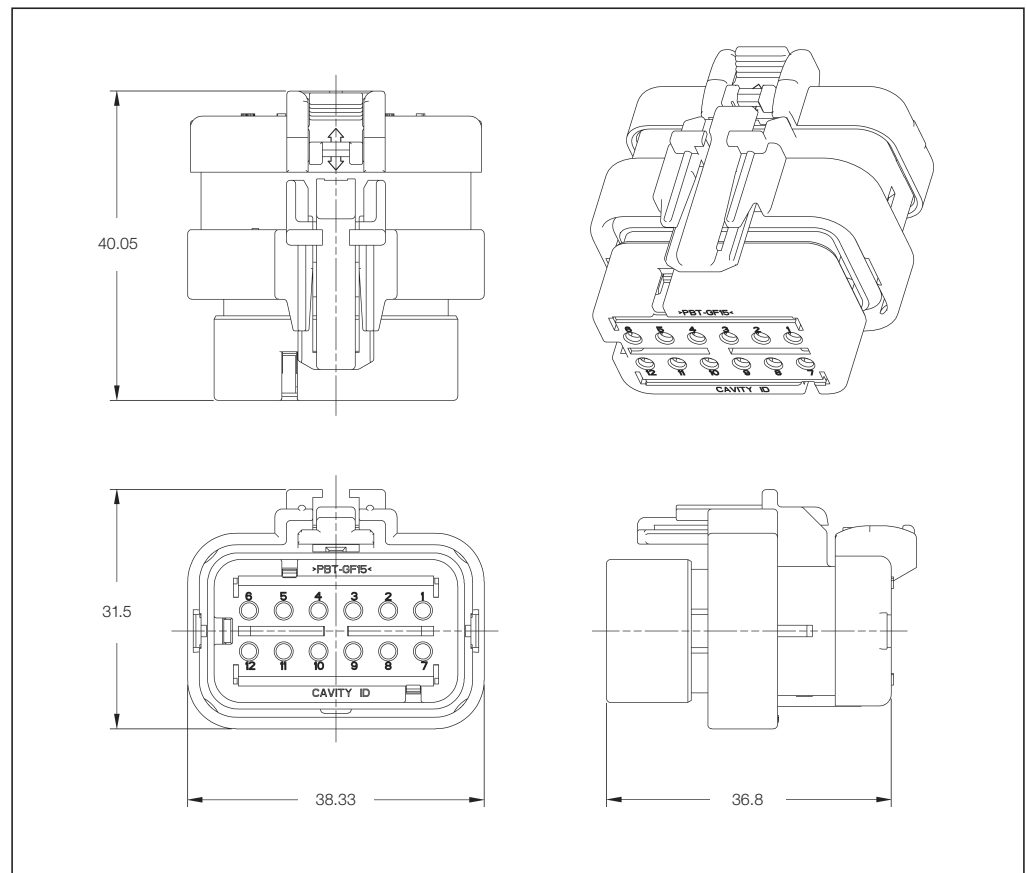
1. Increased terminal/
beam strength
2. Greater resistance to
stress relaxation
3. Increased current carrying
ability due to lower T-Rise
(20%)

2-Row Sealed Receptacle (Plug) Housings (continued)

Technical Features

- No. of Positions:**
12 (2×6) Positions Assembly
- Housing Material:**
Glass Reinforced PBT
- Wire Size Range:**
2.18–3.67 mm
1.30–2.54 mm
(with reduced diameter wire seal)
- Product Specification:**
108-2184
- Application Specification:**
114-13065

- UL 94-HB rated
- Resistant to a wide range of chemicals
- RoHS and ELV compliant



Sealed Receptacle Housings 2-Row with Standard Diameter Wire Seal

| No. of Positions | PLR Color | Keying | Part Numbers | |
|------------------|-----------|--------|---------------------------|--------------------------|
| | | | Receptacle (Plug) Housing | Mating Pin (Cap) Housing |
| 12 | Red | Key A | 776437-1 | 776538-1 1717677-1 |
| | Gray | Key B | 776437-2 | 776538-2 1717677-2 |
| | Yellow | Key C | 776437-3 | 776538-3 1717677-3 |
| | Green | Key D | 776437-4 | 776538-4 1717677-4 |

Sealed Receptacle Housings 2-Row with Reduced Diameter Wire Seal

| No. of Positions | PLR Color | Keying | Part Numbers | |
|------------------|-----------|--------|---------------------------|--------------------------|
| | | | Receptacle (Plug) Housing | Mating Pin (Cap) Housing |
| 12 | Red | Key A | 776533-1 | 776539-1 1717934-1 |
| | Gray | Key B | 776533-2 | 776539-2 1717934-2 |
| | Yellow | Key C | 776533-3 | 776539-3 1717934-3 |
| | Green | Key D | 776533-4 | 776539-4 1717934-4 |