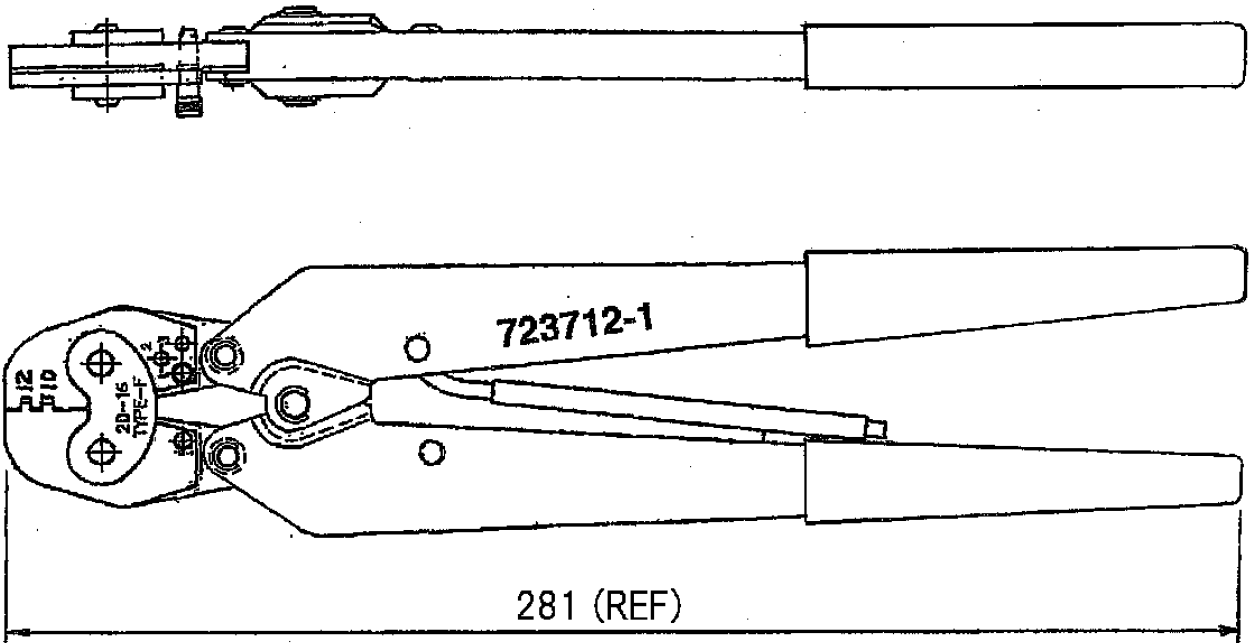


LOC J	DIST —	REVISIONS ?o					
		P	LTR	DESCRIPTION	DATE	DWN	APVD
			C	ECR-08-000464 REVISED	09JAN08	S.N	S.Y



CRIMP SYMBOL	TERMINAL NO		WIRE SIZE (mm ²)	INSUL SIZE (mm)	TERMINAL C/H(mm)		TERMINAL SPEC	IS NO.
	STRIP	LP.			WIRE	INS		
圧着部 記号	適用端子		適用電線 (mm ²)	絶縁被覆径 (mm)	芯線部圧着高さ(mm)		圧着規格	IS 番号
	連続状	バラ状			WIRE	INS		
12	不可	170266	3.3-3.6	3.8-5.1	1.8-2.47	+++	114-5032	411-5076
10	不可	170266	5.2-5.6	3.8-5.1	2.5-2.9	+++	114-5032	411-5076

RELEASED FOR PUBLICATION

ALL RIGHTS RESERVED.

BY TYCO ELECTRONICS CORPORATION.

© COPYRIGHT

THIS DRAWING IS UNPUBLISHED.

DIMENSIONS: XM? ? mm	DWN (H.MASUDA)	06.JUN.2003	MATERIAL P?	FINISH □				
	CHK K.MARUYAMA	7.JUN.2003	Tyco Electronics Corporation Kawasaki, Japan					
TOLERANCES UNLESS OTHERWISE SPECIFIED: ,(↑	APVD S.YABE	12.JUN.2003						NAME ?o
0 PLC ± -	PRODUCT SPEC yA縁<		SIZE	CAGE CODE	DRAWING NO	RESTRICTED TO		
1 PLC ± -	APPLICATION SPEC 白0進<縁<		A4	00779	C-723712-1	-		
2 PLC ± -	WEIGHT		CUSTOMER DRAWING				SCALE ?o	-
3 PLC ± -							SHEET	1 OF 1
4 PLC ± -							REV	C
ANGLES ± -								