

**Multi-Function Power Entry Modules with RFI Power Line Filters**

# LA Series



**UL Recognized  
CSA Certified  
VDE Approved**



FLA/XLA/ZLA

## LA Series

The LA series is a multi-function power entry connector with a choice of filtering capabilities. The series features an IEC power line connector, selectable North American or dual European fusing capabilities, DPST on/off switch, and 120/240 voltage selection. The filtered LA units provide a one piece solution to power entry needs and provide a filtering solution for almost any RFI problem. Their vertical design is flange mounted.

This series offers three levels of filtering, all carrying UL recognition, CSA certification, and VDE approval.

**FLA Model** – General purpose RFI filter designed for susceptibility applications, effectively providing RFI control of line-to-ground noise.

**XLA Model** – High performance RFI filter designed to bring most digital equipment (including switching power supplies) into compliance with FCC Part 15J, Class B conducted emissions limits.

**ZLA Model** – Premium performance RFI filter designed to bring most digital equipment (including switching power supplies) into compliance with EN55022, Level B (as well as FCC Part 15J, Class B) conducted emissions limits.

### Voltage Selection

To change selected voltage: remove the fuse cartridge using a small blade screwdriver or similar tool; select the desired voltage by matching the arrow on the fuse cartridge to the arrow located on the front of the unit (lower right corner); replace the fuse cartridge *making sure the voltage selection arrow aligns with the arrow located on the front of the unit.*

### Fuse Changing

Remove the fuse cartridge using a small blade screwdriver or similar tool; for European fusing pull out the sliding fuse covers located at the top of each fuse compartment; insert desired fuses; push the sliding fuse covers back in place and insert the fuse cartridge back into the unit *making sure the voltage selection arrow aligns with the arrow located on the front of the unit.* (Note: Single North American or European fuse placement is always on the side of the desired voltage selection arrow behind the fuse symbol; the other compartment may be used as a spare or be left blank. Dual European fusing capability is available for 220/240 volts only.)

## Specifications

### Maximum leakage current, each line-to-ground:

|                  |                |         |
|------------------|----------------|---------|
| @ 120 VAC 60 Hz: | FLA Model      | 0.25 mA |
|                  | XLA/ZLA Models | 0.30 mA |
| @ 250 VAC 50 Hz: | All Models     | 0.50 mA |

### Hipot rating (one minute):

|                |          |
|----------------|----------|
| line-to-ground | 1500 VAC |
| line-to-line   | 1450 VDC |

**Operating voltages:** 110,120, 220/240 VAC

**Operating frequency:** 50/60 Hz

**Rated voltage (max.):** 250 VAC

**Switch:** Double-insulated, rated for 50,000 operations at full load. 35 Amp inrush capability

**Fuse (not included):** Accepts one 1/4" x 1-1/4" fuse, or two 5 x 20 mm fuses

**Terminals:** .110 [2.79] terminals

### Minimum insertion loss in dB:

Line-to-ground in 50 ohm circuit

| Current Rating | Frequency-MHz |     |     |    |    |    |    |    |
|----------------|---------------|-----|-----|----|----|----|----|----|
|                | .01           | .05 | .15 | .5 | 1  | 5  | 10 | 30 |
| <b>FLA</b>     |               |     |     |    |    |    |    |    |
| 5A             | -             | -   | 14  | 21 | 26 | 40 | 46 | 50 |
| <b>XLA</b>     |               |     |     |    |    |    |    |    |
| 3A             | 2             | 12  | 21  | 35 | 46 | 44 | 44 | 40 |
| <b>ZLA</b>     |               |     |     |    |    |    |    |    |
| 3A             | 14            | 28  | 38  | 42 | 40 | 40 | 40 | 40 |

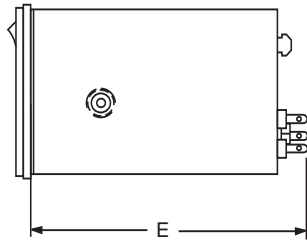
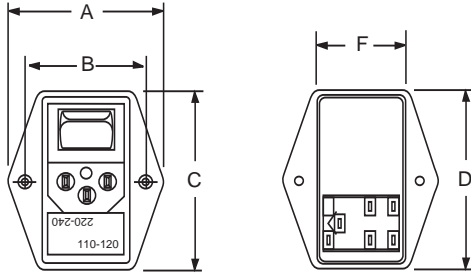
Line-to-line in 50 ohm circuit

| Current Rating | Frequency-MHz |     |     |     |     |    |    |    |    |    |
|----------------|---------------|-----|-----|-----|-----|----|----|----|----|----|
|                | .02           | .03 | .05 | .07 | .15 | .5 | 1  | 5  | 10 | 30 |
| <b>XLA</b>     |               |     |     |     |     |    |    |    |    |    |
| 3A             | -             | -   | -   | 5   | 33  | 60 | 65 | 60 | 50 | 50 |
| <b>ZLA</b>     |               |     |     |     |     |    |    |    |    |    |
| 3A             | 3             | 14  | 29  | 38  | 57  | 72 | 72 | 65 | 55 | 50 |

# LA Series

## Case Style

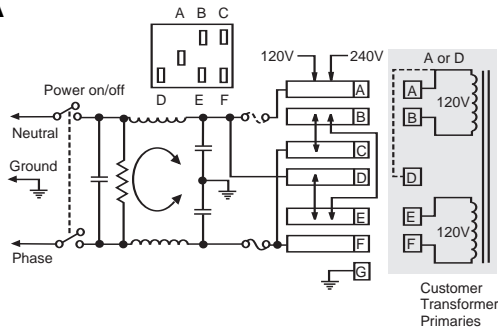
### FLA, XLA & ZLA



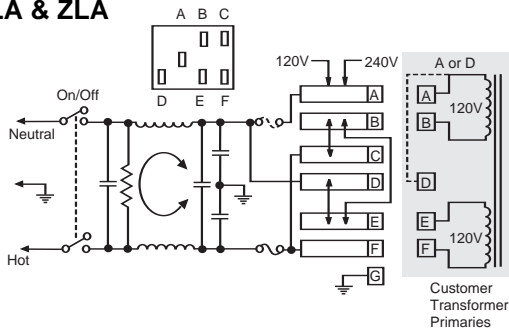
Typical dimensions:  
 Terminals: .110 [4.80]  
 Holes: .059 [1.5] Dia. Max., except solder lug ground tap with wire wrap.  
 Mounting Holes: .142 [3.6] Dia. (2)

## Electrical Schematics

### FLA



### XLA & ZLA



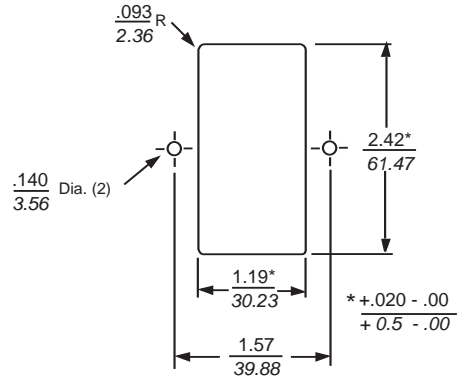
Note: Provision for dual European fusing by connection to "A".  
 Resistor location for reference only.

## Case Dimensions

| Part No. | A (max)             | B $\begin{matrix} \pm 0.15 \\ \pm 0.381 \end{matrix}$ | C (max)              | D (max)              | E (max)              | F (max)              |
|----------|---------------------|---|----------------------|----------------------|----------------------|----------------------|
| 5EFLA2S  | <b>1.99</b><br>50.5 | <b>1.57</b><br>39.9                                   | <b>2.59</b><br>65.79 | <b>2.41</b><br>61.21 | <b>3.16</b><br>68.07 | <b>1.18</b><br>29.97 |
| 3EXLA2S  | <b>1.99</b><br>50.5 | <b>1.57</b><br>39.9                                   | <b>2.59</b><br>65.79 | <b>2.41</b><br>61.21 | <b>4.16</b><br>105.7 | <b>1.18</b><br>29.97 |
| 3EZLA2S  | <b>1.99</b><br>50.5 | <b>1.57</b><br>39.9                                   | <b>2.59</b><br>65.79 | <b>2.41</b><br>61.21 | <b>4.16</b><br>105.7 | <b>1.18</b><br>29.97 |

## Recommended Panel Cutout

FL, XLA & ZLA



Note: All models allow front mounting only.

## Part Numbers

5EFLA2S  
 3EXLA2S  
 3EZLA2S