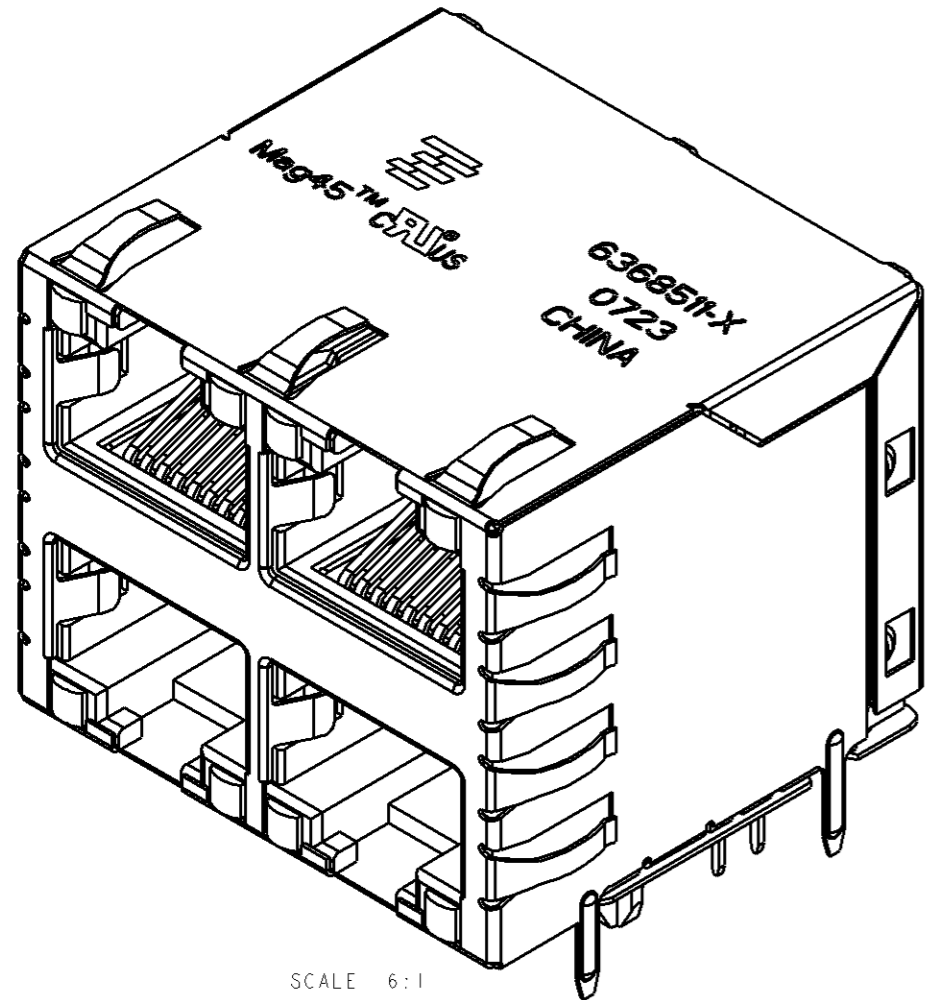
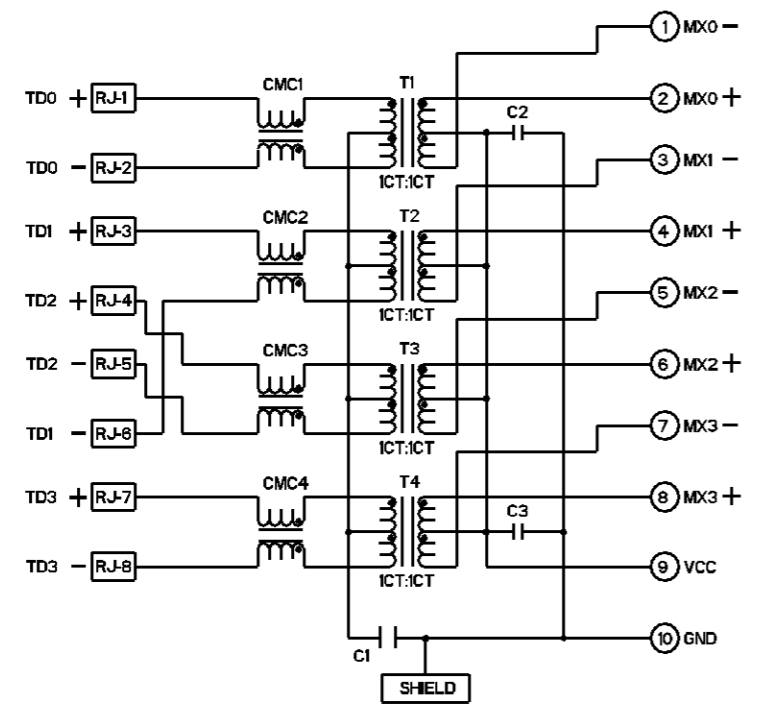


REVISITONS		DATE	BY	APP'D
AA	00	30JUL2008	PL	TX



SCALE 6:1

S8G17 SERIES GIGABIT CIRCUIT



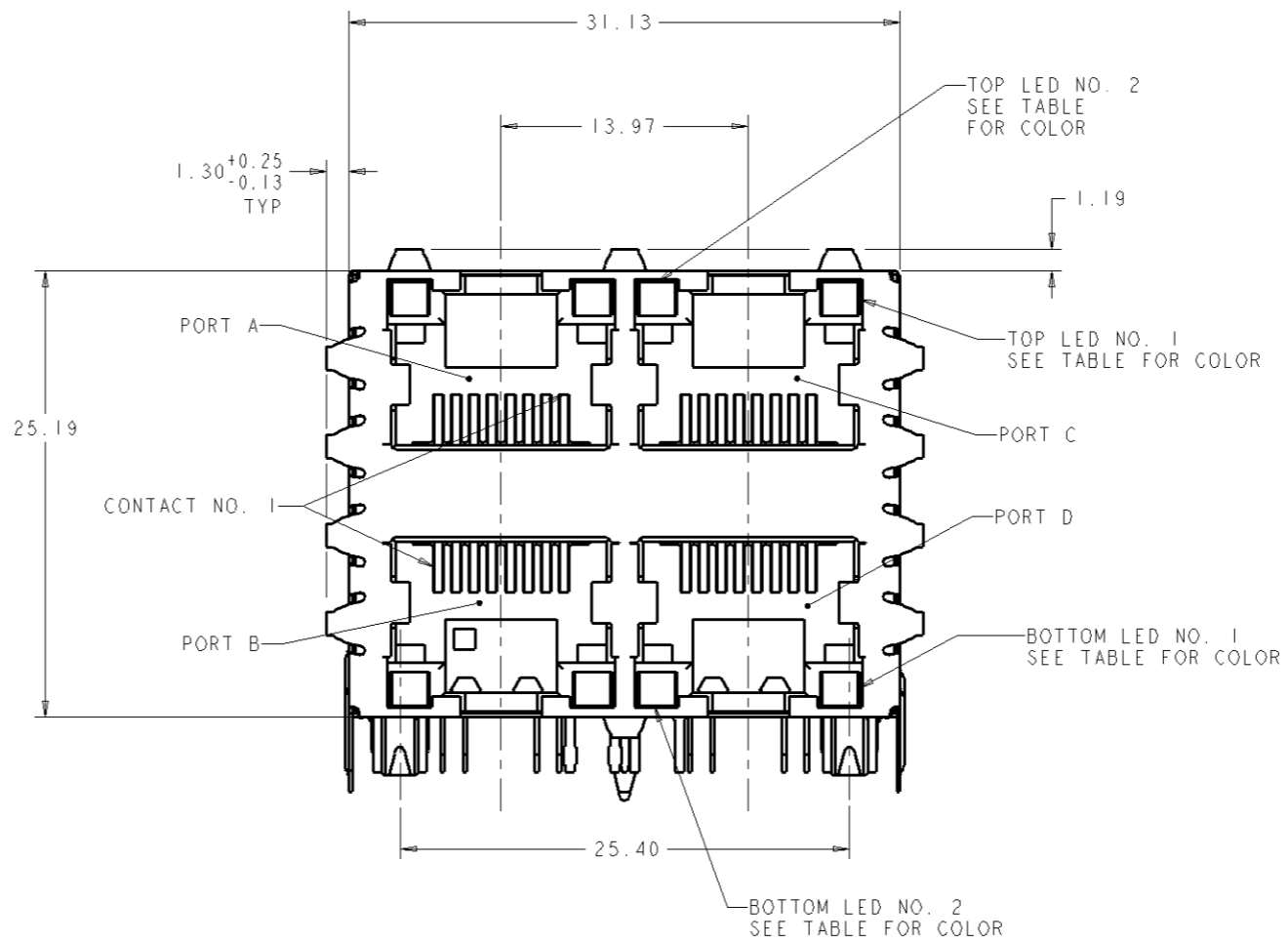
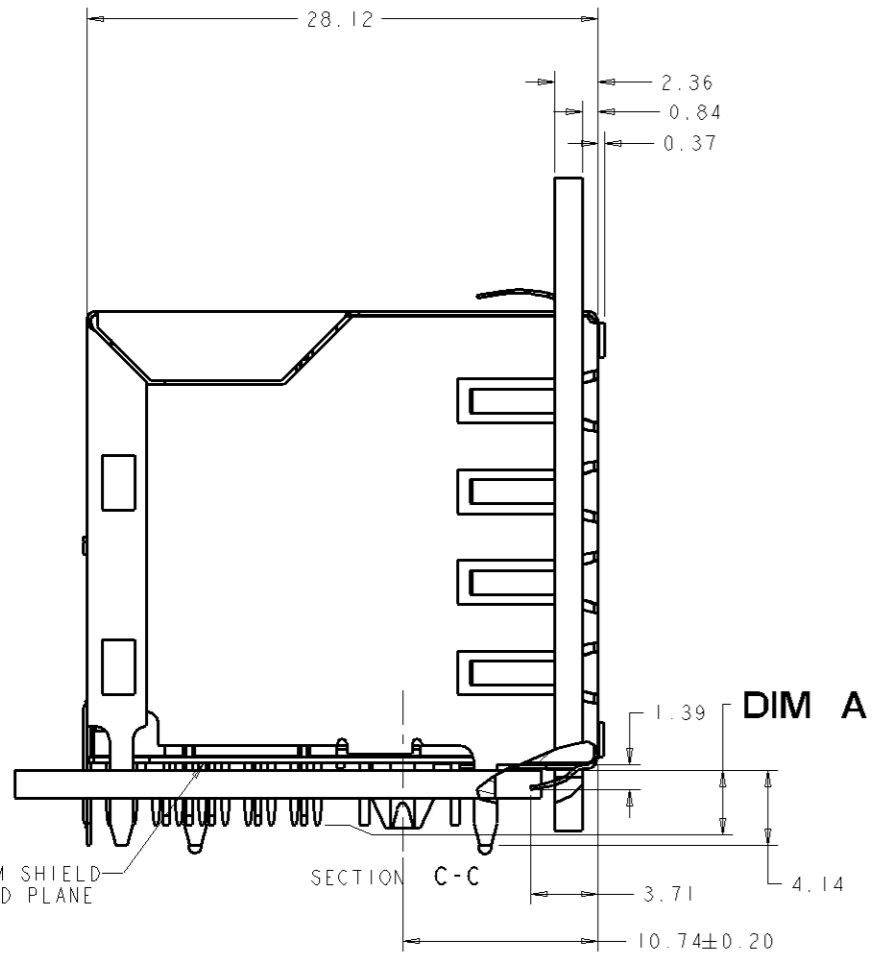
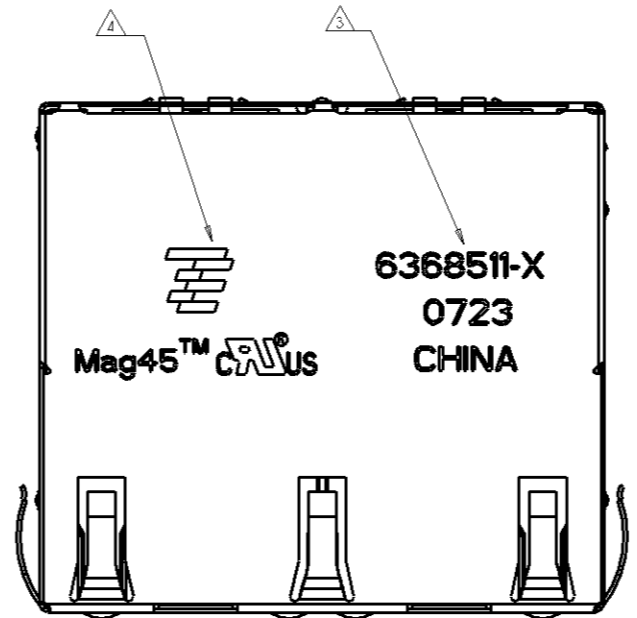
C1 = 1000 pF, 2kV, X7R DECOUPLING CAP
 C2 - C3 = 50V, 470PF, ±10%, X7R CAPACITORS

1. MATERIALS: PLASTIC HOUSING: BLACK, THERMOPLASTIC
 FLAMMABILITY RATING UL 94V-0
 SHIELD: BRASS, PREPLATED WITH 0.76um MIN SEMI-BRIGHT NICKEL,
 POST DIPPED WITH 2.54um MIN SAC SOLDER ON SOLDER TAILS,
 CONTACTS: PHOSPHOR BRONZE, 1.27um MIN OVERALL NICKEL
 UNDERPLATE WITH SELECT 1.27um MIN GOLD AT MATING INTERFACE
 AND 1.27um MIN MATTE TIN ON SOLDER TAILS.
 LED: DIFFUSED EPOXY LENS, CARBON STEEL LEADFRAME
 LEADS PREPLATED WITH 2.03um MIN SILVER OVER 1.02um MIN NICKEL
 UNDERPLATE OVER 1.02um MIN COPPER UNDERPLATE. POST-PLATED WITH
 2.54um MIN MATTE TIN AND/OR SAC SOLDER DIP OR PURE TIN SOLDER DIP
2. MAGNETICS
 APPLICATION: 10/100/1000 BASE-T
 IMPEDANCE: 100 OHMS
 TURNS RATIO (CHIP:CABLE): 1:1 ALL FOUR PAIRS
 OPEN CIRCUIT INDUCTANCE (OCL): 350uH MIN @100kHz, 0.1VRMS,
 8mADC BIAS FROM 0°C TO 70°C, ALL FOUR PAIRS
 ALL FOUR PAIRS BI-DIRECTIONAL
 PERFORMANCE @ 25°C:
 INSERTION LOSS (IL): 1.1dB MAX FROM 0.5MHz TO 100MHz
 RETURN LOSS (RL): 18dB MIN FROM 0.5MHz TO 40MHz
 12-20LOG(f/80)dB MIN FROM 40.1MHz TO 100MHz
 CROSSTALK ATTENUATION: 35dB MIN FROM 0.5MHz TO 40MHz
 33-20LOG(f/50)dB MIN FROM 40.1MHz TO 100MHz
 COMMON MODE REJECTION RATIO (CMRR): 30dB MIN FROM 0.5MHz TO 100MHz
 ISOLATION VOLTAGE: COMPLIES WITH IEEE802.3 2002, PARA 40.6.1.1, ITEM b.
3. PART NUMBER, DATE CODE AND COUNTRY OF ORIGIN
 LOCATED IN THE APPROXIMATE AREA SHOWN
4. AGENCY APPROVAL LOGO, TYCO ELECTRONICS LOGO AND PRODUCT LOGO
 TO BE LOCATED IN THE APPROXIMATE AREA SHOWN
5. MAX OPERATING CURRENT FOR THE LED IS 20mA
6. RJ45 CAVITY CONFORMS TO FCC RULES AND
 REGULATION PART 68 SUBPART F
7. LED'S COMPLIANT WITH IEC60825-1 SAFETY OF LASER
 PRODUCTS WHEN OPERATED AT CURRENT OF 20 mA MAX
8. DATUM AND BASIC DIMENSION ESTABLISHED BY CUSTOMER
9. BASIC DIMENSION ESTABLISHED BY
 CUSTOMER, BUT MAY NOT BE GREATER THAN 5.08
10. THESE PARTS ARE RECOMMENDED FOR WAVE SOLDERING PROCESS,
 PEAK SOLDERING TEMPERATURE 265°C MAX, 10SECONDS MAX

2.29	GRN/YEL	GRN/YEL	GRN/YEL	GRN/YEL	2-6368511-4
2.29	GREEN	YELLOW	GREEN	YELLOW	2-6368511-3
2.29	YELLOW	GREEN	GREEN	YELLOW	2-6368511-2
2.29	GREEN	GREEN	GREEN	GREEN	2-6368511-1
4.06	GRN/YEL	GRN/YEL	GRN/YEL	GRN/YEL	1-6368511-4
4.06	GREEN	YELLOW	GREEN	YELLOW	1-6368511-3
4.06	YELLOW	GREEN	GREEN	YELLOW	1-6368511-2
4.06	GREEN	GREEN	GREEN	GREEN	1-6368511-1
3.04	GRN/ORG	GRN/ORG	GRN/ORG	GRN/ORG	6368511-5
3.04	GRN/YEL	GRN/YEL	GRN/YEL	GRN/YEL	6368511-4
3.04	GREEN	YELLOW	GREEN	YELLOW	6368511-3
3.04	YELLOW	GREEN	GREEN	YELLOW	6368511-2
3.04	GREEN	GREEN	GREEN	GREEN	6368511-1
DIM A	BOTTOM LED NO. 2	BOTTOM LED NO. 1	TOP LED NO. 2	TOP LED NO. 1	PART NUMBER

DIMENSIONS mm 0 PLC ± 1 PLC ± 2 PLC ±0.25 3 PLC ± 4 PLC ± 5 PLC ± 6 PLC ± 7 ANGLE ± 8 FINISH ±		TOLERANCES UNLESS OTHERWISE SPECIFIED: 0.15mm ± 0.25mm ± 0.50mm ± 1.00mm ± 1.50mm ± 2.00mm ± 3.00mm ± 4.00mm ± 5.00mm ± 6.00mm ± 7.00mm ± 8.00mm ± 9.00mm ± 10.00mm ±		DATE: 02SEP2005 CHK: P. D'AMATO APPR: S. FICKLINGER PRODUCT SPEC: 108-2100 APPLICATION SPEC:		Tyco Electronics Tyco Electronics ChangPing, DG, China	
MATERIAL: SEE NOTE 1 FINISH: SEE NOTE 1		WEIGHT:		NAME: INTEGRATED MAGNETIC STACKED MODULAR JACK, 2X2 W/LEDS, GIGABIT ETHERNET, RJ45, S8G17 CIRCUIT SIZE: A1 CAGE CODE: 00779 DRAWING NO: C=6368511		RESTRICTED TO:	
CUSTOMER DRAWING		SCALE: 4:1		SHEET: 1 OF 3		REV: C	

REV	DATE	DESCRIPTION	DATE	BY	APP'D
AA	00	SEE SHEET 1			



SIDE VIEW SHOWN WITH
 PANEL AND PCB
 FOR LOCATION

DIMENSIONS mm 		TOLERANCES UNLESS OTHERWISE SPECIFIED: 0 PLC ± 1 PLC ± 2 PLC ±0.25 3 PLC ± 4 PLC ± ANGLES ±°		DWG: C GILLETTE 02SEP2005 CHK: P. D'AMATO 02SEP2005 APP'D: S. FICKLINGER 02SEP2005		Tyco Electronics Tyco Electronics ChangPing, DG, China	
MATERIAL: SEE NOTE 1 FINISH: SEE NOTE 1		WEIGHT: - CUSTOMER DRAWING		NAME: INTEGRATED MAGNETIC STACKED MODULAR JACK, 2X2 W/LEDS, GIGABIT ETHERNET, RJ45, S8G17 CIRCUIT PRODUCT SPEC: 108-2100 APPLICATION SPEC: -		SIZE: A 00779 C=6368511 SHEET 2 OF 3 REV C	

