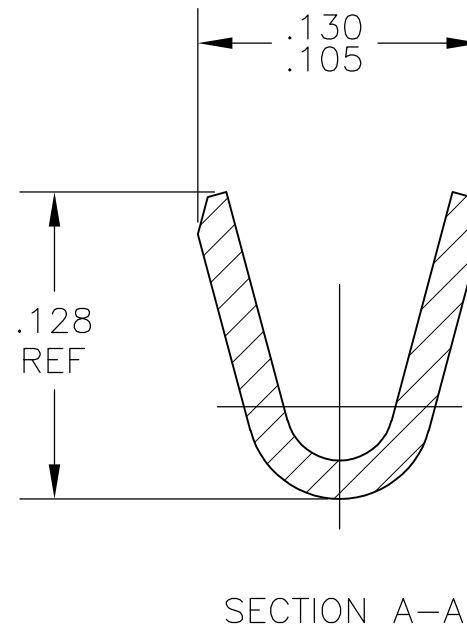
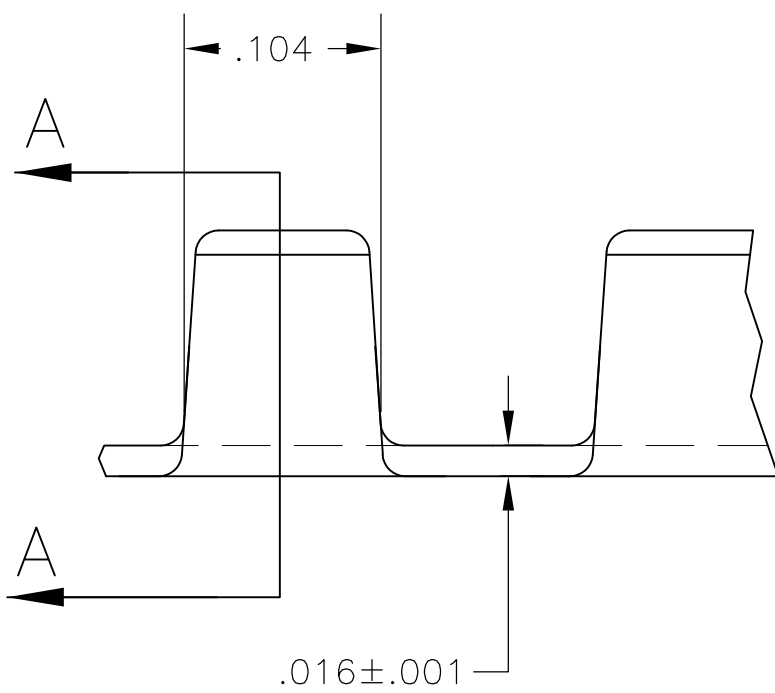
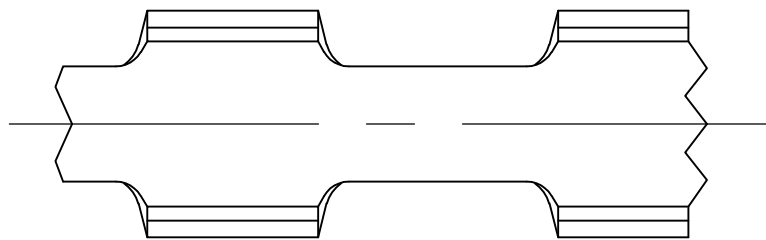


THIS DRAWING IS UNPUBLISHED. RELEASED FOR PUBLICATION
 © COPYRIGHT BY TYCO ELECTRONICS CORPORATION. ALL RIGHTS RESERVED.

LOC	DIST	REVISIONS					
AF	50	P	LTR	DESCRIPTION	DATE	DWN	APVD
			C1	ECR-07-010352(REDRAWN IN AUTOCAD)	27FEB07	HMR	GP

- 1 CONTINUOUS STRIP ON REELS.
- 2 WIRE RANGE: 1400 TO 2800 CMA



61008-1
PART NO

THIS DRAWING IS A CONTROLLED DOCUMENT.		DWN	RAGHAVENDRA	27FEB07	Tyco Electronics Corporation Harrisburg, Pa 17105-3608			
DIMENSIONS: INCHES		CHK	G.D.PORTA	27FEB07				NAME
		TOLERANCES UNLESS OTHERWISE SPECIFIED:		APVD	SPLICE			
		0 PLC ± -		G.D.PORTA	27FEB07	SIZE		
		1 PLC ± -		PRODUCT SPEC		CAGE CODE		
		2 PLC ± -		APPLICATION SPEC		DRAWING NO		
		3 PLC ± .010		WEIGHT		RESTRICTED TO		
		4 PLC ± -		-		A3 00779 C-61008		
		ANGLES ± -		-		SCALE 10:1		
MATERIAL		FINISH		CUSTOMER DRAWING		SHEET 1 OF 1		
TEMP 2 STEEL		.000080 MIN TIN				REV C1		