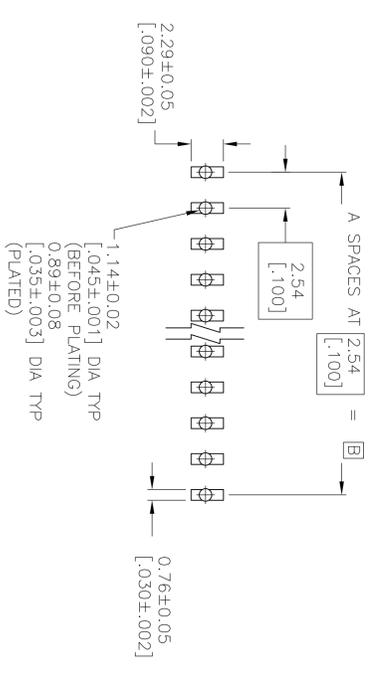
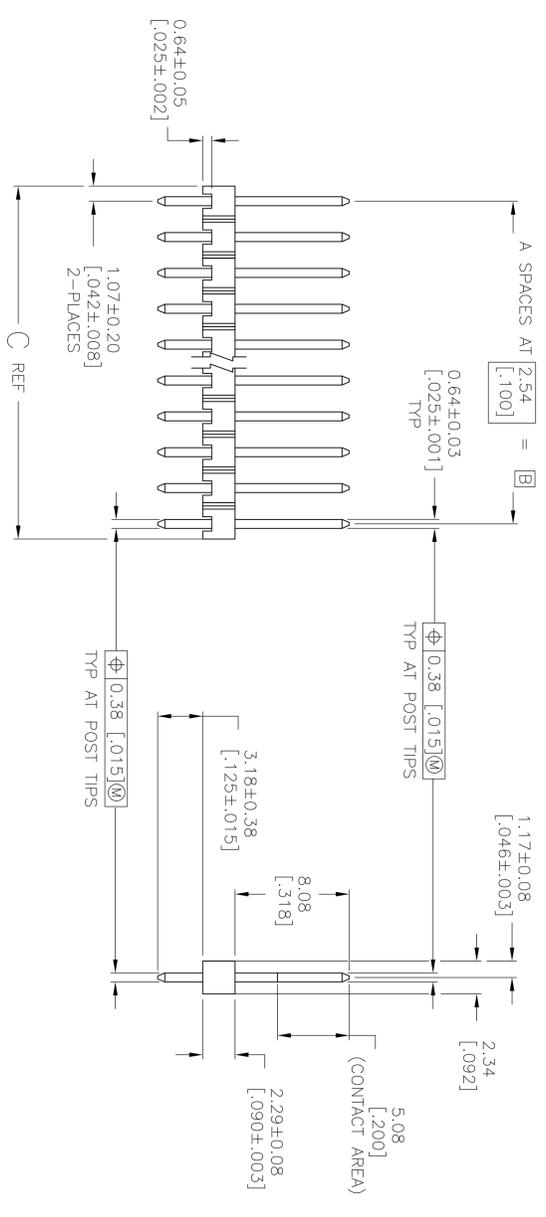


REVISONS		DATE	REV. NO.
F1	REVISED PER ECO-10-000443	15JAN10	KK [AEG]
F	EC 003C 0826 04	14FEB08	BSV [JLG]
AD	00		



RECOMMENDED PC BOARD MOUNTING DIMENSIONS FOR .063 [1.60] THICK PC BOARD AND .012 [.305] STENCIL THICK.

- ASSEMBLY MAY BE BROKEN TO THE DESIRED NUMBER OF POSITIONS
- TRUE POSITION TOLERANCE OF THE POST TIPS APPLIES WHEN THE HEADERS ARE HELD FLAT AGAINST THE PRINTED CIRCUIT BOARD
- 0.000381 [0.000015] GOLD IN CONTACT AREA, 0.000254-0.000504 [0.000100-0.000200] MATTE TIN-LEAD ON SOLDER TAIL, ALL OVER 0.00127 [.000050] NICKEL.
- MATERIAL: HOUSING - LCP, COLOR: BLACK.
- 0.000381 [0.000015] GOLD IN CONTACT AREA, 0.000254-0.000504 [0.000100-0.000200] MATTE TIN ON SOLDER TAIL, ALL OVER 0.00127 [.000050] NICKEL.
- OBsolete PARTS: OBSOLETE CIS STREAMLINING PER D.RENAUD/D.SINISI

PLATING	C	B	A	NO. OF POSITIONS	PART NUMBER	PLATING	C	B	A	NO. OF POSITIONS	PART NUMBER
△5	101.19	99.06	39	40	9-146276-0	△3	101.19	99.06	39	40	4-146276-0
△5	98.65	96.52	38	39	8-146276-9	△3	98.65	96.52	38	39	3-146276-9
△5	96.11	93.98	37	38	8-146276-8	△3	96.11	93.98	37	38	3-146276-8
△5	93.57	91.44	36	37	8-146276-7	△3	93.57	91.44	36	37	3-146276-7
△5	91.03	88.90	35	36	8-146276-6	△3	91.03	88.90	35	36	3-146276-6
△5	88.49	86.36	34	35	8-146276-5	△3	88.49	86.36	34	35	3-146276-5
△5	85.95	83.82	33	34	8-146276-4	△3	85.95	83.82	33	34	3-146276-4
△5	83.41	81.28	32	33	8-146276-3	△3	83.41	81.28	32	33	3-146276-3
△5	80.87	78.74	31	32	8-146276-2	△3	80.87	78.74	31	32	3-146276-2
△5	78.33	76.20	30	31	8-146276-1	△3	78.33	76.20	30	31	3-146276-1
△5	75.79	73.66	29	30	8-146276-0	△3	75.79	73.66	29	30	3-146276-0
△5	73.25	71.12	28	29	7-146276-9	△3	73.25	71.12	28	29	2-146276-9
△5	70.71	68.58	27	28	7-146276-8	△3	70.71	68.58	27	28	2-146276-8
△5	68.17	66.04	26	27	7-146276-7	△3	68.17	66.04	26	27	2-146276-7
△5	65.63	63.5	25	26	7-146276-6	△3	65.63	63.5	25	26	2-146276-6
△5	63.09	60.96	24	25	7-146276-5	△3	63.09	60.96	24	25	2-146276-5
△5	60.55	58.42	23	24	7-146276-4	△3	60.55	58.42	23	24	2-146276-4
△5	58.01	55.88	22	23	7-146276-3	△3	58.01	55.88	22	23	2-146276-3
△5	55.47	53.34	21	22	7-146276-2	△3	55.47	53.34	21	22	2-146276-2
△5	52.93	50.80	20	21	7-146276-1	△3	52.93	50.80	20	21	2-146276-1
△5	50.39	48.26	19	20	7-146276-0	△3	50.39	48.26	19	20	2-146276-0
△5	47.85	45.72	18	19	6-146276-9	△3	47.85	45.72	18	19	1-146276-9
△5	45.31	43.18	17	18	6-146276-8	△3	45.31	43.18	17	18	1-146276-8
△5	42.77	40.64	16	17	6-146276-7	△3	42.77	40.64	16	17	1-146276-7
△5	40.23	38.10	15	16	6-146276-6	△3	40.23	38.10	15	16	1-146276-6
△5	37.69	35.56	14	15	6-146276-5	△3	37.69	35.56	14	15	1-146276-5
△5	35.15	33.02	13	14	6-146276-4	△3	35.15	33.02	13	14	1-146276-4
△5	32.61	30.48	12	13	6-146276-3	△3	32.61	30.48	12	13	1-146276-3
△5	30.07	27.94	11	12	6-146276-2	△3	30.07	27.94	11	12	1-146276-2
△5	27.53	25.40	10	11	6-146276-1	△3	27.53	25.40	10	11	1-146276-1
△5	24.99	22.86	9	10	6-146276-0	△3	24.99	22.86	9	10	1-146276-0
△5	22.45	20.32	8	9	5-146276-9	△3	22.45	20.32	8	9	1-146276-9
△5	19.91	17.78	7	8	5-146276-8	△3	19.91	17.78	7	8	1-146276-8
△5	17.37	15.24	6	7	5-146276-7	△3	17.37	15.24	6	7	1-146276-7
△5	14.83	12.70	5	6	5-146276-6	△3	14.83	12.70	5	6	1-146276-6
△5	12.29	10.16	4	5	5-146276-5	△3	12.29	10.16	4	5	1-146276-5
△5	9.75	7.62	3	4	5-146276-4	△3	9.75	7.62	3	4	1-146276-4
△5	7.21	5.08	2	3	5-146276-3	△3	7.21	5.08	2	3	1-146276-3
△5	4.67	2.54	1	2	5-146276-2	△3	4.67	2.54	1	2	1-146276-2
△5	2.13	-	0	1	5-146276-1	△3	2.13	-	0	1	1-146276-1

THIS DRAWING IS A CONTROLLED DOCUMENT.

DATE: 6/29/95
 BY: G. DUBRINICZKI
 CHECKED: TICO Electronics Corporation
 ADDRESS: Hershey, Pa 17105-3608

APPROVED: [Signature]
 TITLE: [Title]

DESCRIPTION: HEADER ASSEMBLY, MOD II, BREAKAWAY, SINGLE ROW, HIGH TEMPERATURE, VERTICAL W/.025 SO POSIS, 100 CL

SIZE: CODE CODE: 146276
 DRAWING NO: A1 00779

RESTRICTED TO: []

WEIGHT: []

SCALE: 4:1

SHEET: 1 OF 1

REV: F1