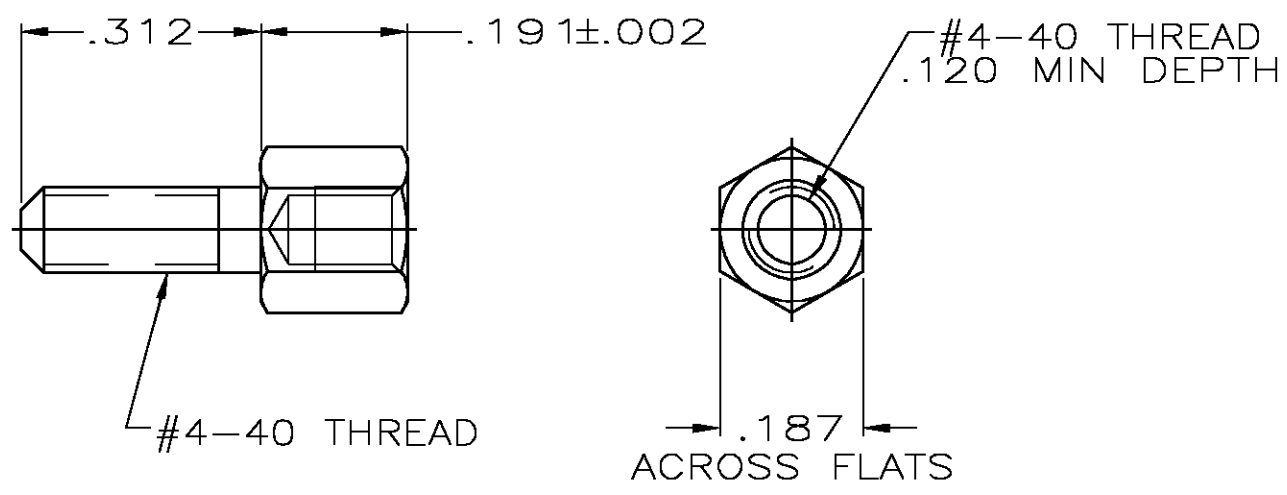


THIS DRAWING IS UNPUBLISHED. RELEASED FOR PUBLICATION
 © COPYRIGHT - BY TYCO ELECTRONICS CORPORATION. ALL RIGHTS RESERVED.

LOC	DIST	REVISIONS			
P	LTR	DESCRIPTION	DATE	DWN	APVD
	0	RELEASED PER EC OS13-0207-05	20JUN05	RR	JG



- △ 1 ZINC PLATED .000200-.000400 THICK, YELLOW CHROMATE COATING.
- △ 2 ZINC PLATED .000200-.000400 THICK, CLEAR CHROMATE COATING.

△ 2	5205818-3
△ 1	5205818-2
FINISH	PART NUMBER

THIS DRAWING IS A CONTROLLED DOCUMENT.		DWN R.RICHARDSON 20JUN05	Tyco Electronics Corporation Harrisburg, Pa 17105-3608			
DIMENSIONS: INCHES		CHK C.ROHDE 20JUN05				
		APVD M.WALMSLEY 20JUN05	NAME SCREWLOCK, FEMALE, AMPLIMITE			
TOLERANCES UNLESS OTHERWISE SPECIFIED:		PRODUCT SPEC -	-			
0 PLC ± - 1 PLC ± - 2 PLC ± - 3 PLC ± .005 4 PLC ± - ANGLES ± -		APPLICATION SPEC -	-			
MATERIAL COLD ROLLED STEEL	FINISH SEE TABLE	WEIGHT -	SIZE A3	CAGE CODE 00779	DRAWING NO C-5205818	RESTRICTED TO -
CUSTOMER DRAWING			SCALE 4:1	SHEET 1 OF 1	REV 0	