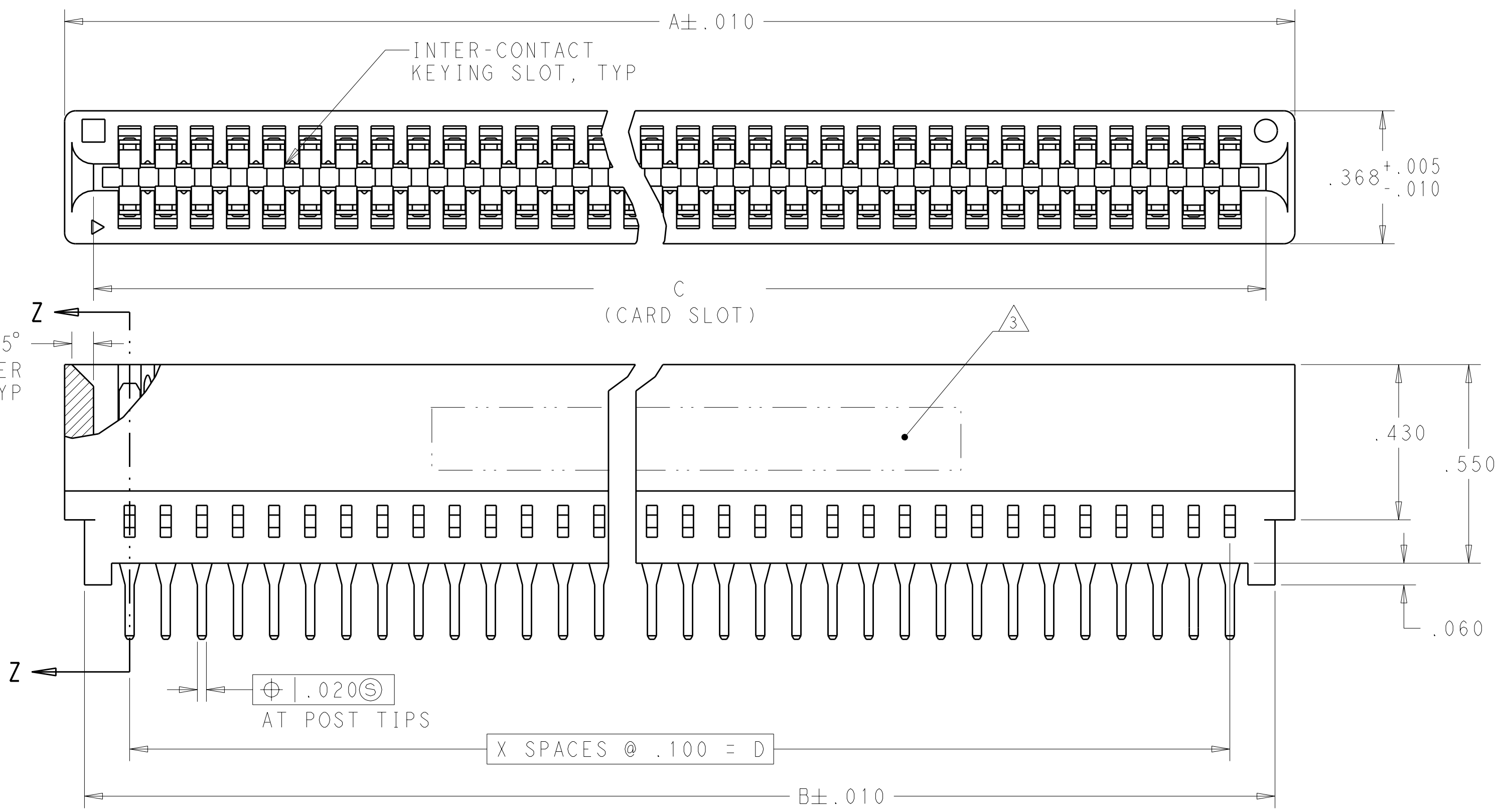
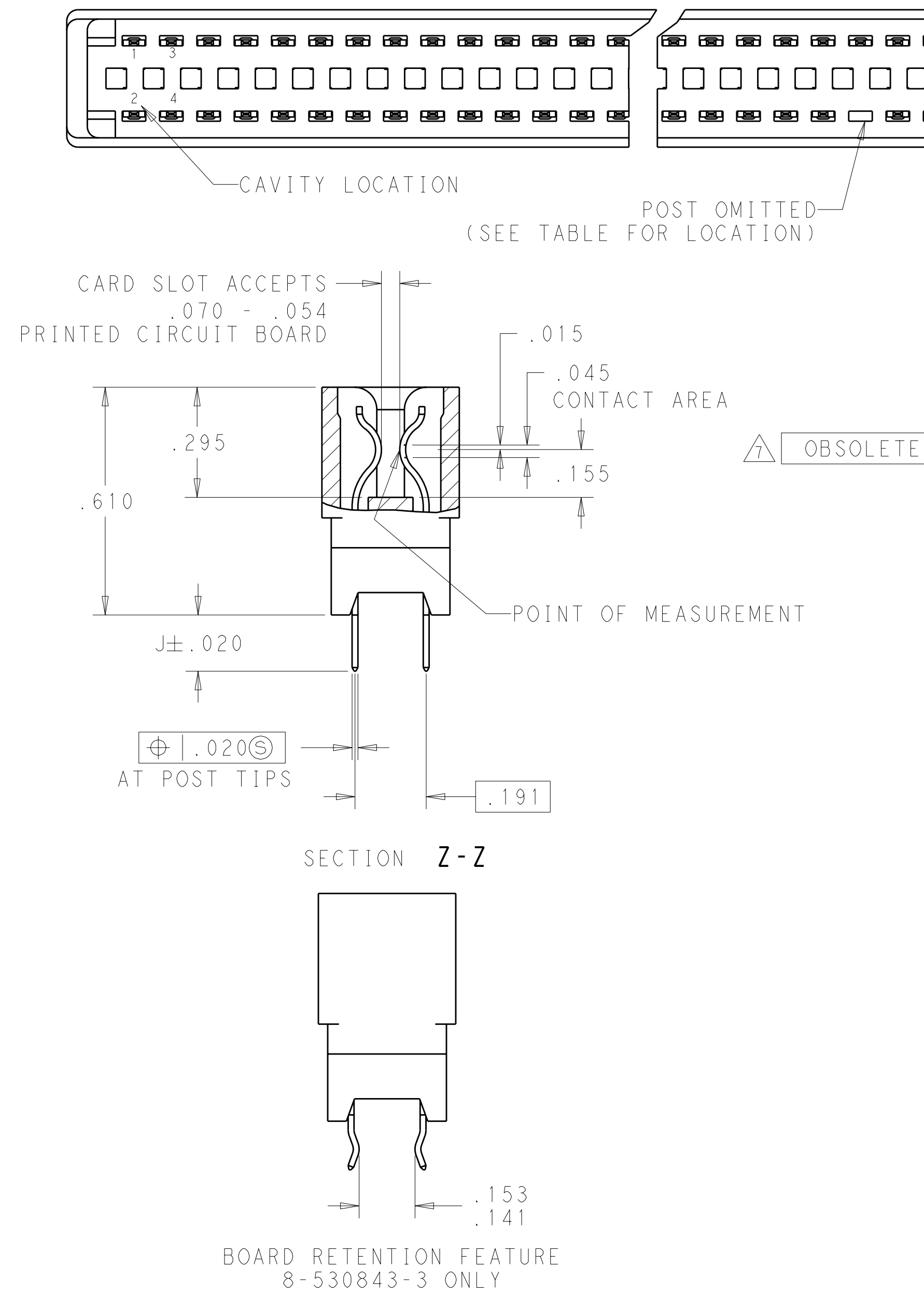


LOC	DIST	REV	DATE	BY	APPD
GP	00				
E2		REV PER ECO-09-024025	30OCT2009	RG	EH
E3		REV PER ECO-10-000444	22JAN10	HK	HMR
E4		REV PER ECO-10-016782	22SEP2010	RG	MS



- 1 MATERIAL:
HOUSING - GLASS FILLED POLYESTER, COLOR BLACK
CONTACT - PHOSPHOR BRONZE
- 2 FINISH:
(SEE TABLE FOR GOLD PLATING) IN CONTACT AREA.
.000100 MIN MATTE TIN ON SOLDER POSTS. ALL OVER
.000050 MIN THK. NICKEL
- 3 AMP LOGO, TE PART NUMBER, DATE CODE AND CSA LOGO INK STAMPED WHITE (HOT STAMPED OR LAZER PRINTED) IN THE APPROXIMATE AREA SHOWN, EITHER SIDE PERMISSABLE WHEN HOUSING SIZE PERMITS
- 4. RECOMMENDED PCB FINISHED HOLE $\varnothing .040 \pm .003$
- 5 .000015 MIN
- 6 .000030 MIN
- 7 OBSOLETE PARTS: OBSOLETE CIS STREAMLINING PER D.RENAUD/D.SINISI

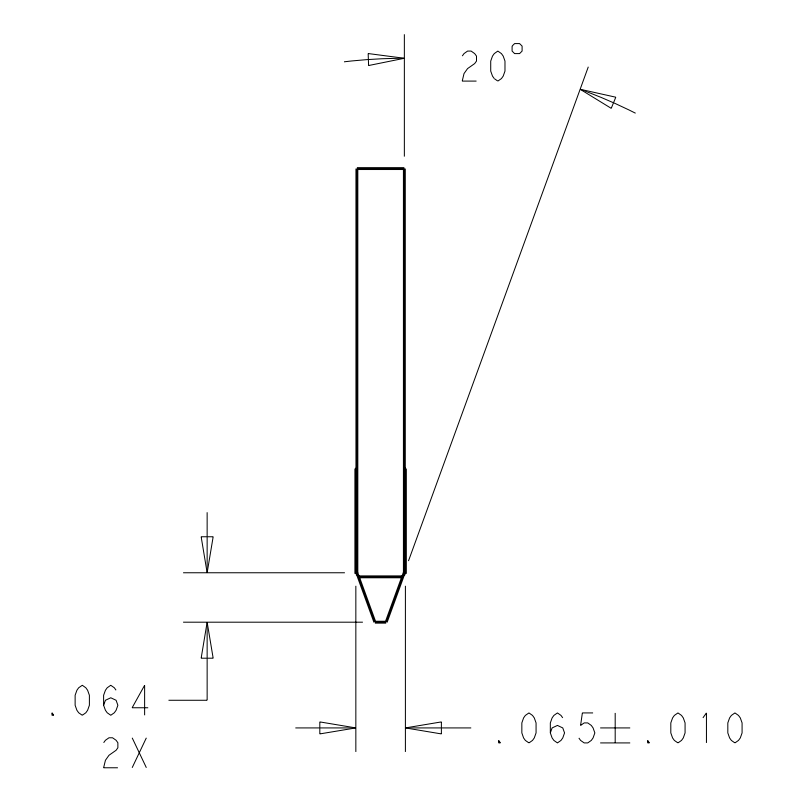
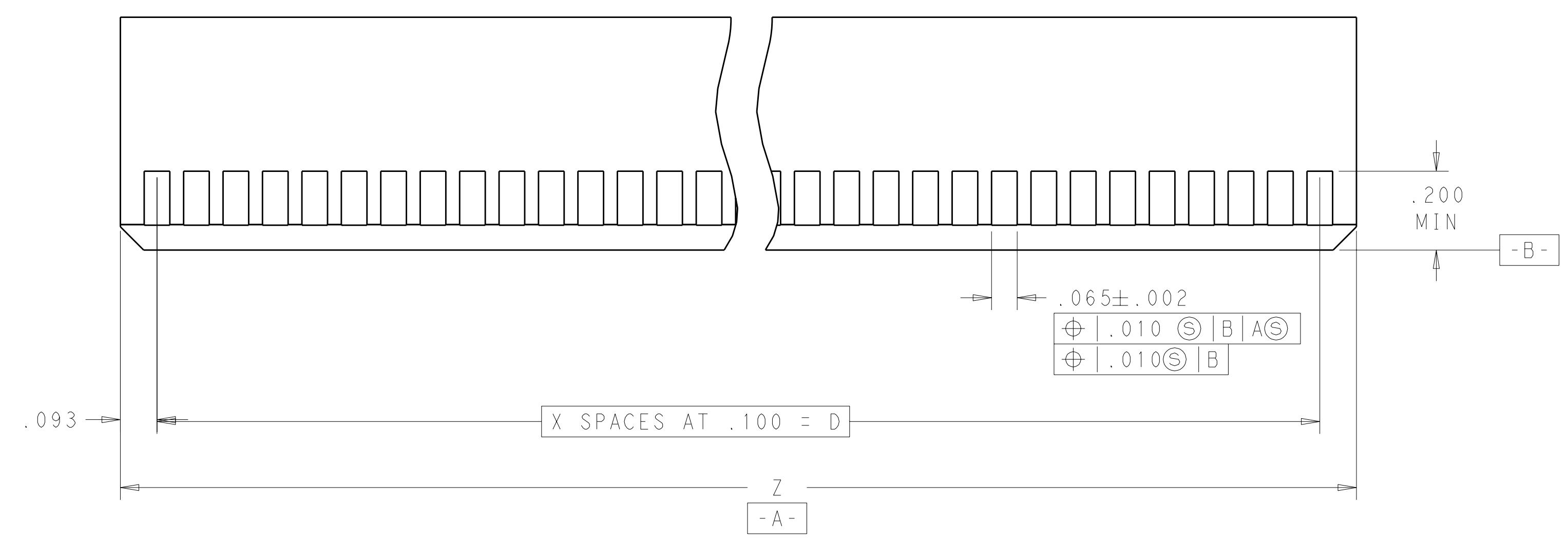
OBSOLETE	PART NUMBER
OBSOLETE	8-5530843-2
OBSOLETE	8-5530843-1
OBSOLETE	4-5530843-1
OBSOLETE	1-5530843-9
OBSOLETE	1-5530843-2



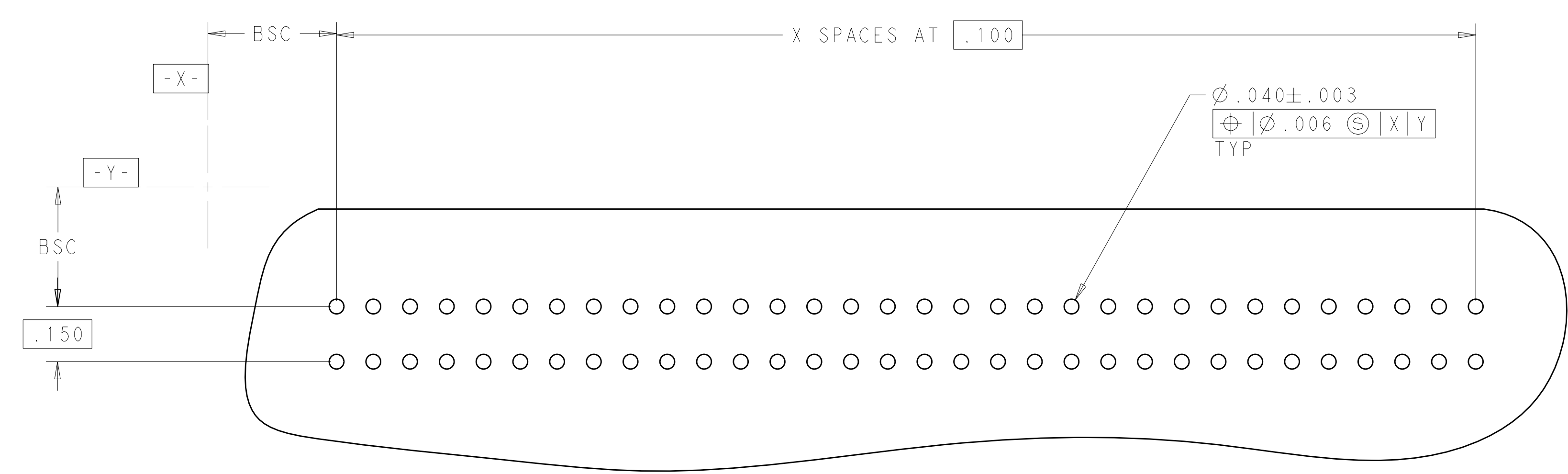
OMITTED PIN	BOARD RETENTION FEATURE LOCATION (SEE DETAIL Y)	FINISH	Z	J	D	C	B	A	X	NO. OF DUAL POSITIONS	PART NUMBER
19, 20, 21, 22, 23, 24, 27, 28, 31, 32, 35, 36, 39	-	6	1.286	.187	1.100	1.300	1.350	1.460	11	12	8-5530843-5
40, 43, 44, 45, 46, 47, 48, 51, 52, 55, 56, 59, 60	-	6	3.186	.125	3.000	3.200	3.250	3.360	30	31	8-5530843-4
3, 4, 5, 6, 19, 20, 21, 22	-	6	1.286	.125	1.100	1.300	1.350	1.460	11	12	8-5530843-3
-	-	6	.386	.125	.200	.400	.450	.560	2	3	7-5530843-7
-	-	6	.686	.187	.500	.700	.750	.860	5	6	7-5530843-6
-	-	6	.686	.125	.500	.700	.750	.860	5	6	7-5530843-5
-	-	5	3.186	.125	3.000	3.200	3.250	3.360	30	31	7-5530843-0
-	-	6	3.186	.125	3.000	3.200	3.250	3.360	30	31	6-5530843-5
-	-	6	6.086	.125	5.900	6.100	6.150	6.260	59	60	5-5530843-5
-	-	6	2.086	.125	1.900	2.100	2.150	2.260	19	20	5-5530843-4
-	-	6	1.786	.125	1.600	1.800	1.850	1.960	16	17	5-5530843-3
-	-	6	1.086	.125	.900	1.100	1.150	1.260	9	10	5-5530843-0
-	-	5	1.886	.125	1.700	1.900	1.950	2.060	17	18	2-5530843-7
-	-	6	3.586	.125	3.400	3.600	3.650	3.760	34	35	2-5530843-3
-	-	6	5.086	.187	4.900	5.100	5.150	5.260	49	50	2-5530843-2
-	-	6	4.086	.187	3.900	4.100	4.150	4.260	39	40	2-5530843-0
-	-	6	3.086	.187	2.900	3.100	3.150	3.260	29	30	1-5530843-8
-	-	6	2.586	.187	2.400	2.600	2.650	2.760	24	25	1-5530843-6
-	-	6	4.386	.125	4.200	4.400	4.450	4.560	42	43	1-5530843-0
-	-	6	3.686	.125	3.500	3.700	3.750	3.860	35	36	5530843-8
-	-	6	3.086	.125	2.900	3.100	3.150	3.260	29	30	5530843-7
-	-	6	2.886	.125	2.700	2.900	2.950	3.060	27	28	5530843-6
-	-	6	2.586	.125	2.400	2.600	2.650	2.760	24	25	5530843-5
-	-	6	2.286	.125	2.100	2.300	2.350	2.460	21	22	5530843-4
-	-	6	1.886	.125	1.700	1.900	1.950	2.060	17	18	5530843-3
-	-	6	1.586	.125	1.400	1.600	1.650	1.760	14	15	5530843-2
-	-	6	1.286	.125	1.100	1.300	1.350	1.460	11	12	5530843-1

DIMENSIONS: INCHES		TOLERANCES UNLESS OTHERWISE SPECIFIED:		DWN: 30OCT2009 CHK: M.F. GRZYBOWSKI E. HOWARD M. PERCHERIK APVD: 30OCT2009		Tyco Electronics Harrisburg, PA 17110-3608	
9 PLG	±	9 PLG	±	PRODUCT SPEC		NAME	
3 PLG	±.005	3 PLG	±.005	109-9039		CONNECTOR ASSEMBLY	
5 PLG	±	5 PLG	±	APPLICATION SPEC		STANDARD EDGE II, .100 CENTERLINE	
4 PLG	±	4 PLG	±	114-13018		SIZE CAGE CODE DRAWING NO	
ANGLES	#2	ANGLES	#2	WEIGHT		RESTRICTED TO	
MATERIAL		FINISH		CUSTOMER DRAWING		SCALE 4:1 SHEET 1 OF 2 REV E.4	

LOC	DIST	REVISIONS					
GP	00	P	LTB	DESCRIPTION	DATE	DWN	APVD
		-		SEE SHEET 1	-	-	-



RECOMMENDED MAIN BOARD EDGE CONFIGURATION



RECOMMENDED PC BOARD HOLE LAYOUT

<small>THIS DRAWING IS UNPUBLISHED. RELEASED FOR PUBLICATION 20 BY TYCO ELECTRONICS CORPORATION, ALL INTERNATIONAL RIGHTS RESERVED.</small>		DWN: 30OCT2009 AWF/GRZYBOWSKI CHK: E.HOWARD APVD: M.PERCHEBY 30OCT2009	Tyco Electronics Harrisburg, PA 17105-3608
DIMENSIONS: INCHES 	TOLERANCES UNLESS OTHERWISE SPECIFIED: 9 PLC \pm 1 PLC $\pm .005$ 5 PLC \pm 4 PLC \pm ANGLES \pm FINISH #2	PRODUCT SPEC: 109-9039 APPLICATION SPEC: 114-13018 WEIGHT: - CUSTOMER DRAWING	NAME: CONNECTOR ASSEMBLY STANDARD EDGE II, .100 CENTERLINE SIZE: A100779 CAGE CODE: C=5530843 RESTRICTED TO: - SCALE: 4:1 SHEET 2 OF 2 REV: E4