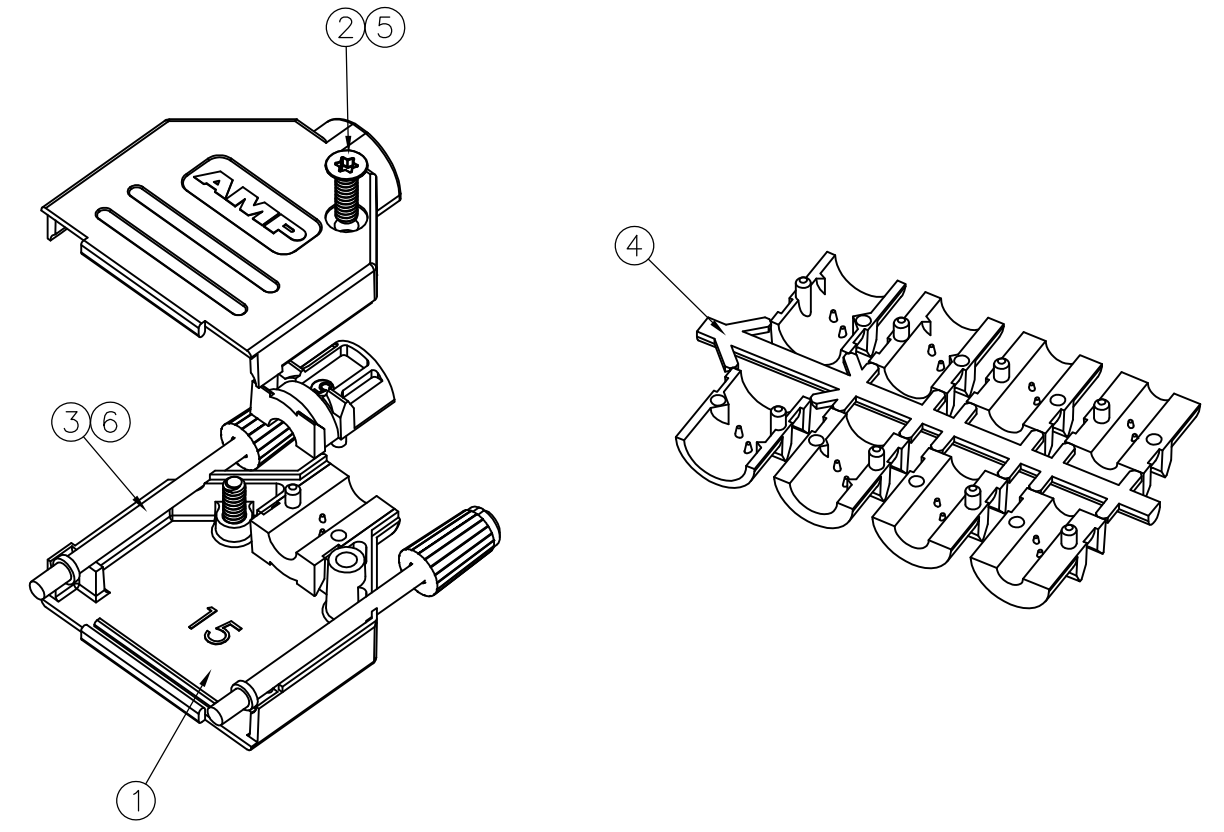
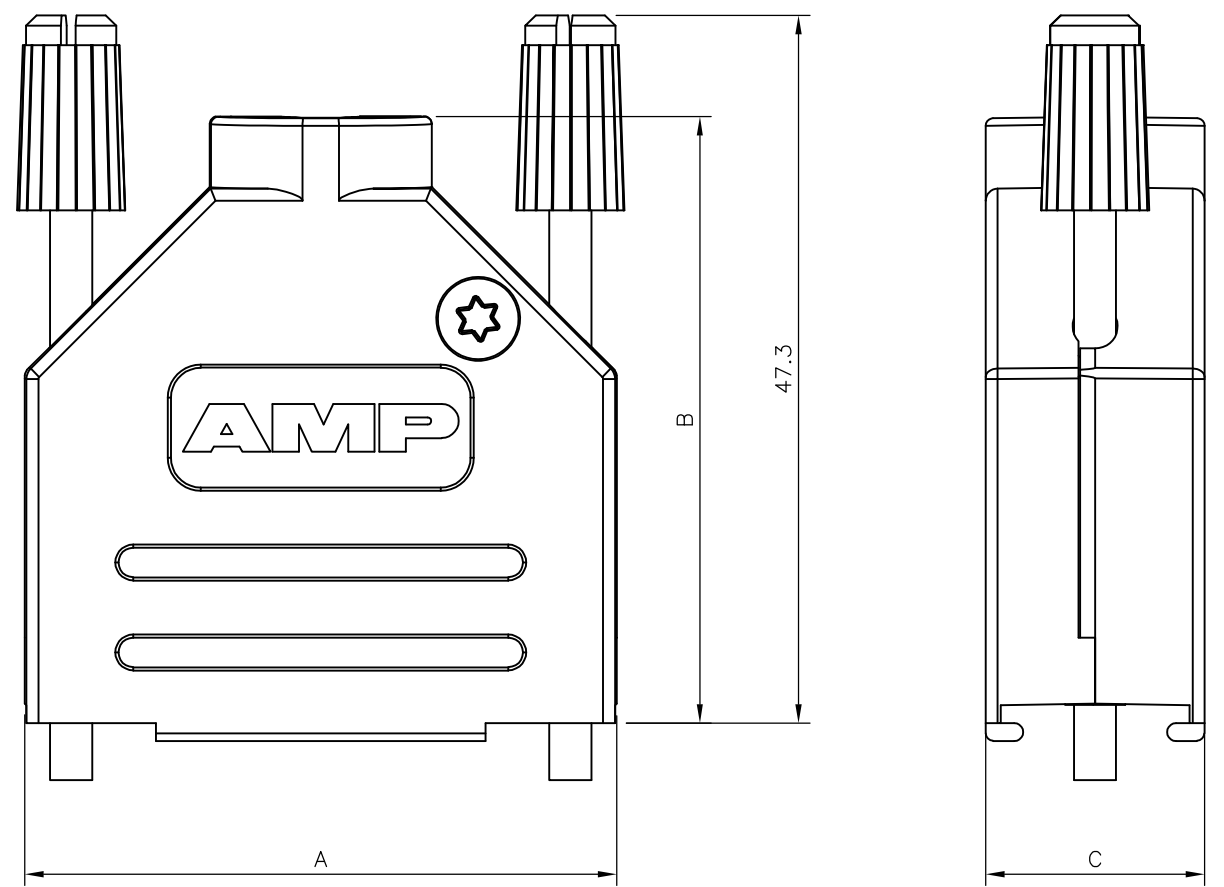


THIS DRAWING IS UNPUBLISHED. RELEASED FOR PUBLICATION 27-02-02 . - .
 © COPYRIGHT 2002 BY TYCO ELECTRONICS CORPORATION. ALL RIGHTS RESERVED.

LOC	DIST	REVISIONS			
P	LTR	DESCRIPTION	DATE	DWN	APVD
E	B	E	EBDO-0018-05	12-01-05	RS MG
		F	ECR-06-013400	02-06-06	AM FWK
		F1	REVISED PER ECO-09-024927	10NOV09	KK AEG



PART NUMBER	A	B	C	ITEM	BACKSHELL HALF	FIXING SCREW (TYPE) TORQUE DRIVE	JACKSCREW M3	STRAIN RELIEF SET	FIXING SCREW (TYPE) POZIDRIVE DRIVE	JACKSCREW 4-40
6-1478762-7	53.2	47.3	14.6	QTY	2	-	2	1	2	-
6-1478762-6	39.5	40.5	14.6		2	-	2	1	2	-
6-1478762-5	31	38.3	14.6		2	-	2	1	2	-
6-1478762-3	53.2	47.3	14.6		2	-	-	1	2	2
2 6-1478762-2	39.5	40.5	14.6		2	-	-	1	2	2
2 6-1478762-1	31	38.3	14.6		2	-	-	1	2	2
5-1478762-4 & 3-1478762-7	70.9	52.2	15		2	2	-	1	-	2
5-1478762-3 & 2-1478762-5	53.2	47.3	14.6		2	2	-	1	-	2
5-1478762-2 & 1-1478762-5	39.5	40.5	14.6		2	2	-	1	-	2
5-1478762-1 & 1478762-9	31	38.3	14.6		2	2	-	1	-	2

OBSOLETE

1. FOR ASSEMBLY DETAILS REFER TO LEAFLET 0-1478530-1. 1-PER BOX OF 100 PARTS
 2. OBSOLETE PARTS: OBSOLETE CIS STREAMLINING PER D.RENAUD/D.SINISI

OBSOLETE
 OBSOLETE

KITS/BAG	DESCRIPTION	PART NUMBER
1	METAL BACKSHELL 37 WAY TOP ENTRY	5-1478762-4
1	METAL BACKSHELL 25 WAY TOP ENTRY	5-1478762-3
1	METAL BACKSHELL 15 WAY TOP ENTRY	5-1478762-2
1	METAL BACKSHELL 9 WAY TOP ENTRY	5-1478762-1
100	METAL BACKSHELL 25 WAY TOP ENTRY	6-1478762-7
100	METAL BACKSHELL 15 WAY TOP ENTRY	6-1478762-6
100	METAL BACKSHELL 9 WAY TOP ENTRY	6-1478762-5
100	METAL BACKSHELL 25 WAY TOP ENTRY	6-1478762-3
100	METAL BACKSHELL 15 WAY TOP ENTRY	6-1478762-2
100	METAL BACKSHELL 9 WAY TOP ENTRY	6-1478762-1
100	METAL BACKSHELL 37 WAY TOP ENTRY	3-1478762-7
100	METAL BACKSHELL 25 WAY TOP ENTRY	2-1478762-5
100	METAL BACKSHELL 15 WAY TOP ENTRY	1-1478762-5
100	METAL BACKSHELL 9 WAY TOP ENTRY	1478762-9

THIS DRAWING IS A CONTROLLED DOCUMENT.

DIMENSIONS: MM	TOLERANCES UNLESS OTHERWISE SPECIFIED:	DWN A.BEKEN 27-02-02	Tyco Electronics Corporation Stanmore, Middlesex, HA7 4RS
	0 PLC ± - 1 PLC ± - 2 PLC ± - 3 PLC ± - 4 PLC ± - ANGLES ± -	CHK R.G 27-02-02	
MATERIAL -	FINISH -	APVD F.W-KING 27-02-02	NAME AM STRAIGHT ENTRY
		PRODUCT SPEC -	SIZE A3 CAGE CODE 00779 DRAWING NO C-1478762 RESTRICTED TO -
		APPLICATION SPEC -	SCALE 1:1 SHEET 1 OF 1 REV F1
		WEIGHT -	CUSTOMER DRAWING