

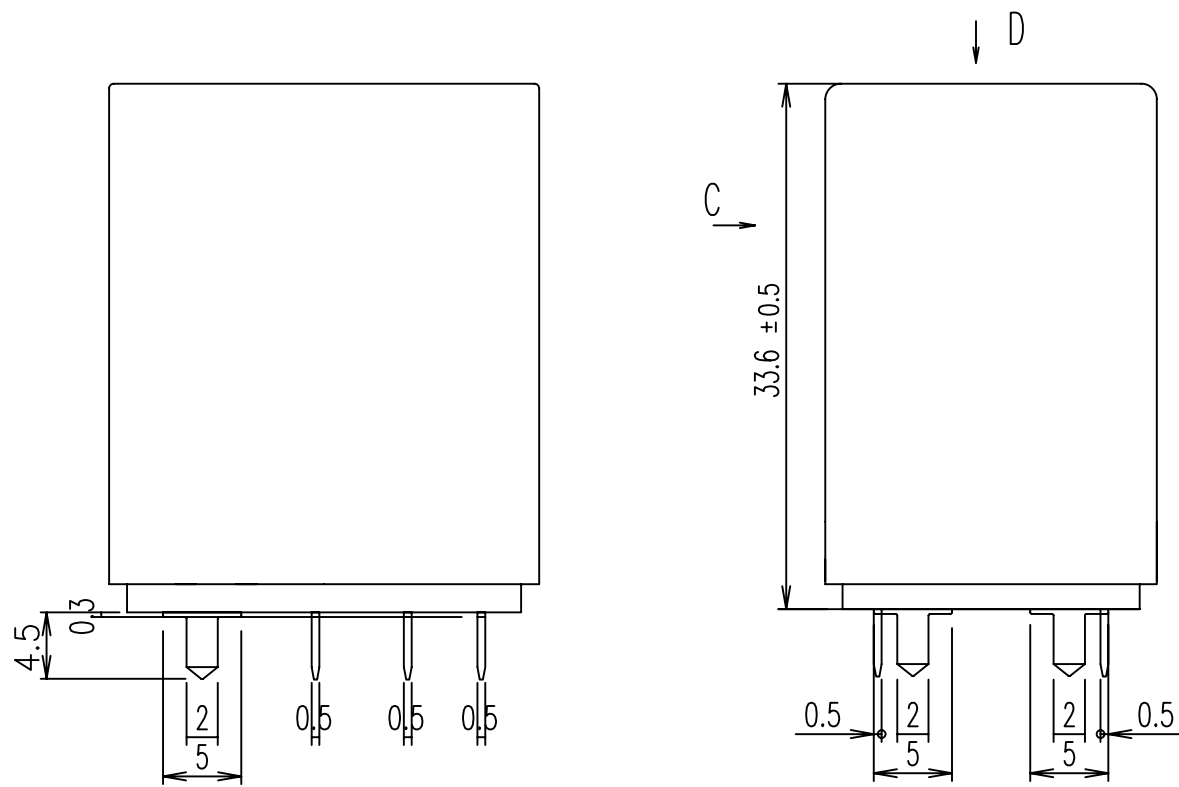
THIS DRAWING IS UNPUBLISHED. RELEASED FOR PUBLICATION
 © COPYRIGHT BY TYCO ELECTRONICS CORPORATION. ALL RIGHTS RESERVED.

LOC HB DIST

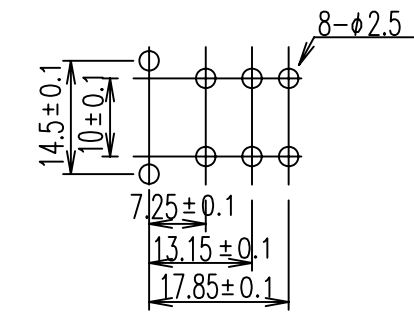
REVISIONS					
P	LTR	DESCRIPTION	ECN	DATE	DWN APVD
	C	ADD PACKING SPEC	ECO-06-013847	31-MAY-06	W.QH H.F
	D	ADD TYPE AND CHANGE TE LOGO	ECO-08-020468	16-SEP-08	SZ,Z BH,Y

D
C
B
A

D
C
B
A



Drilling Diagram (BOTTOM VIEW)



Connection Diagram (BOTTOM VIEW)

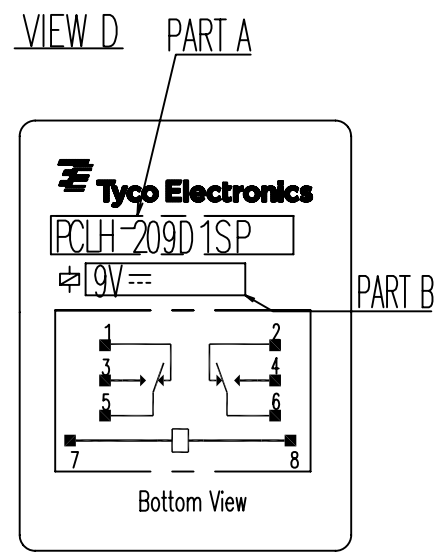
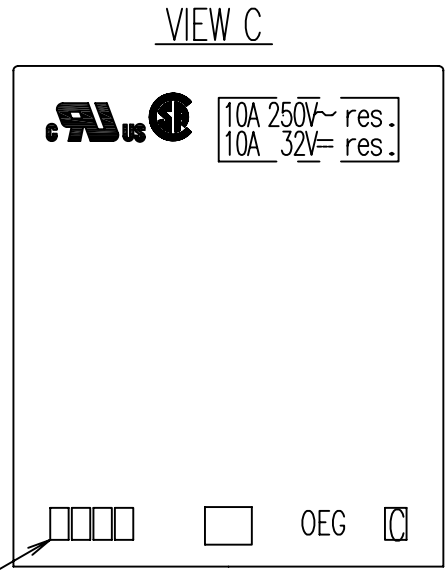
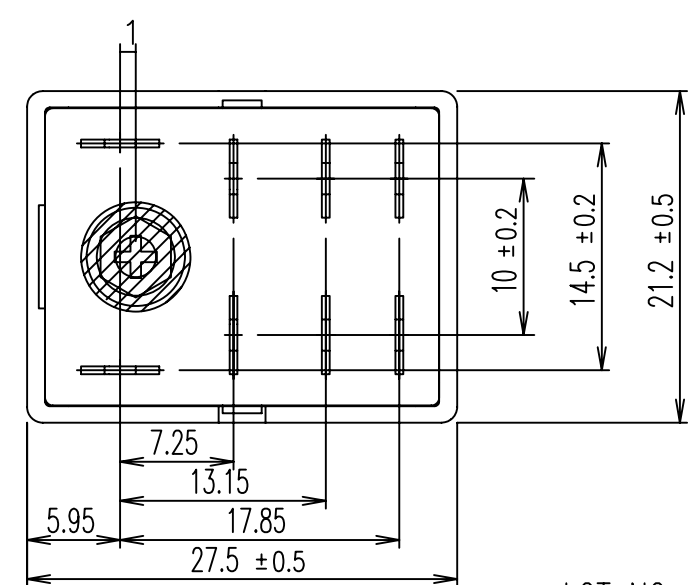
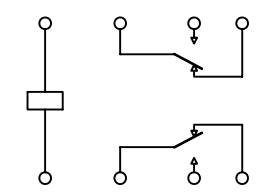


Diagram dimension	Tolerance
0.99mm max.	±0.1mm
1 - 2.99mm	±0.2mm
3mm min.	±0.3mm

LOT NO SYSTEM AS FOLLOWING:
 05 46
 WEEK YEAR

THIS DRAWING IS A CONTROLLED DOCUMENT FOR TYCO ELECTRONICS CORPORATION IT IS SUBJECT TO CHANGE AND THE CONTROLLING ENGINEERING ORGANIZATION SHOULD BE CONTACTED FOR THE LATEST REVISION.		DWN	H.SASAKI	Tyco Electronics Corporation Shenzhen, China	
DIMENSIONS: mm		CHK	N.FUNAYAMA		
TOLERANCES UNLESS OTHERWISE SPECIFIED: 0 PLC ± 1 PLC ± 2 PLC ± 3 PLC ± 4 PLC ±		APVD	A.NAGAI	NAME	
MATERIAL		PRODUCT SPEC	—	PCLH-20*D1SP CUSTOMER DRAWING	
FINISH		APPLICATION SPEC	—	SIZE	A3
—		WEIGHT	—	CAGE CODE	00779
—		CUSTOMER DRAWING		DRAWING NO	1721049
—		—		RESTRICTED TO	—
—		—		SCALE	2:1
—		—		SHEET	1 OF 2
—		—		REV	D

4

3

2

1

THIS DRAWING IS UNPUBLISHED. RELEASED FOR PUBLICATION

© COPYRIGHT BY TYCO ELECTRONICS CORPORATION. ALL RIGHTS RESERVED.

LOC	DIST	REVISIONS						
		P	LTR	DESCRIPTION	ECN	DATE	DWN	APVD
HB								

5-1461059-4	107-79058	PCLH-202D1SP,000	12V ≡	PCLH-202D1SP	c
5-1461059-5	107-79058	PCLH-203D1SP,000	24V ≡	PCLH-203D1SP	b
1721049-1	107-79058	PCLH-209D1SP,000	9V ≡	PCLH-209D1SP	a
TE PART NO	PACKING SPEC	DESCRIPTION	PART B	PART A	ITEM

D			C			RELAY TYPE		
AR	AR	AR						
AR	AR	AR			EPOXY RESIN	RESIN		18
AR	AR	AR			POLYESTER	TAPE		17
AR	AR	AR			POLYURETHANE COPPER WIRE	MAGNETIC WIRE		16
1	1	1	UL94 V-0		PC	CASE		15
1	1	1			STAINLESS	SPRING		14
1	1	1			Cu ALLOY + PBT	MOVABLE SPRING		13
2	2	2			ALUMINIUM	ALUMINIUM RIVET		12
1	1	1			POLYESTER	SHEET		11
1	1	1		Cu-Ni PLATED	STEEL	ARMATURE		10
4	4	4			Ag ALLOY	STATIONARY CONTACT		9
2	2	2			Ag ALLOY	MOVABLE CONTACT		8
4	4	4			Cu ALLOY	STATIONARY TERMINAL		7
2	2	2			Cu ALLOY + PVC	LEAD WIRE		6
2	2	2			Cu ALLOY	COIL/MOVABLE TERMINAL		5
1	1	1	UL94 V-0		EPOXY CASTING RESIN	BASE		4
1	1	1	UL94 HB		PA66 NYLON	BOBBIN		3
1	1	1		Zn PLATED	STEEL	CORE		2
1	1	1		Ni PLATED	STEEL	YOKE		1
c	b	a	INCOMBUSTIBILITY	TREATMENT	MATERIAL	DESCRIPTION	ITEM	

THIS DRAWING IS A CONTROLLED DOCUMENT FOR TYCO ELECTRONICS CORPORATION IT IS SUBJECT TO CHANGE AND THE CONTROLLING ENGINEERING ORGANIZATION SHOULD BE CONTACTED FOR THE LATEST REVISION.		DWN	H.SASAKI		Tyco Electronics Tyco Electronics Corporation Shenzhen, China					
DIMENSIONS: mm		CHK	N.FUNAYAMA							
		APVD	A.NAGAI		NAME					
		TOLERANCES UNLESS OTHERWISE SPECIFIED:		PRODUCT SPEC		PCLH-209D1SP CUSTOMER DRAWING				
		0 PLC ±		APPLICATION SPEC		SIZE		CAGE CODE	DRAWING NO	RESTRICTED TO
		1 PLC ±		WEIGHT		A3		00779	1721049	—
		2 PLC ±		MATERIAL		—		—		—
		3 PLC ±		FINISH		—		—		—
		4 PLC ±		CUSTOMER DRAWING		SCALE		SHEET		REV
		—		—		2:1		2 OF 2		D

D

C

B

A

D

C

B

A