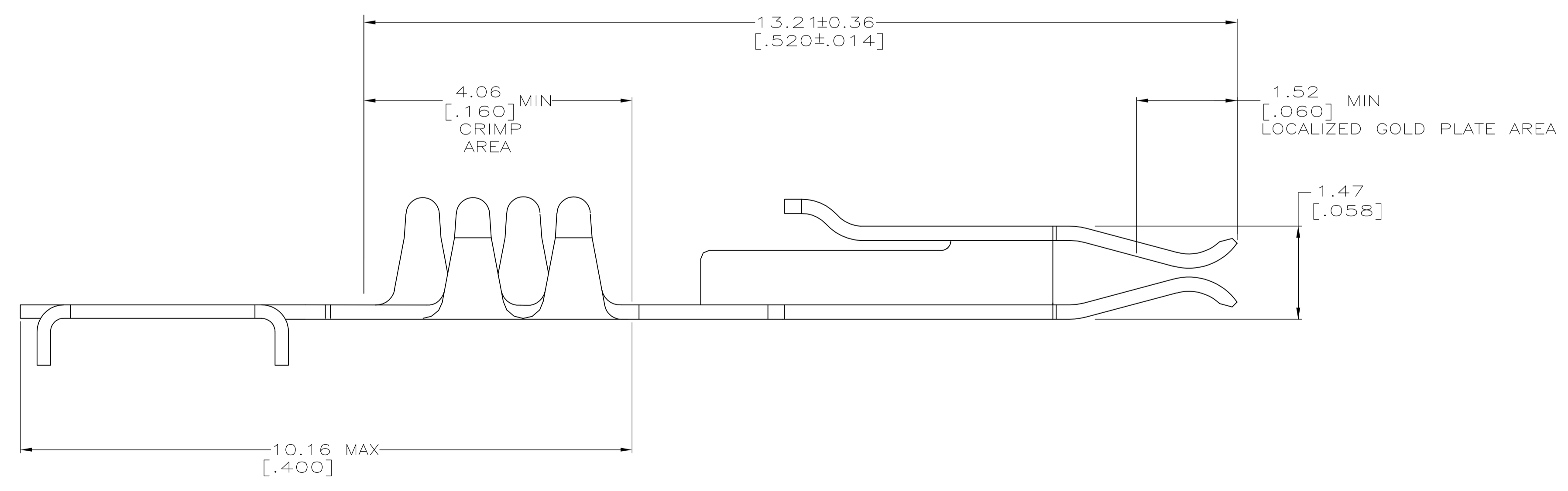
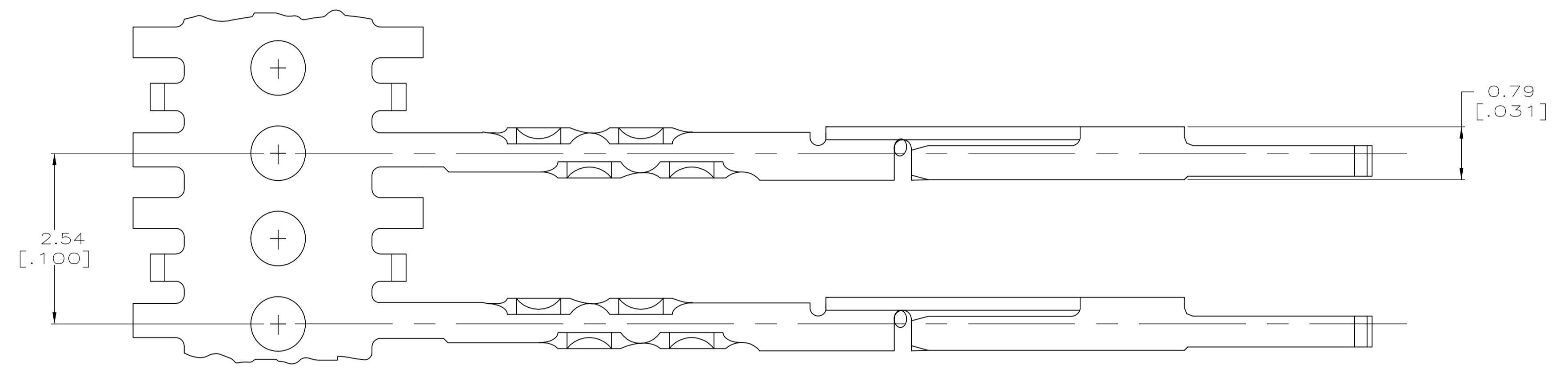
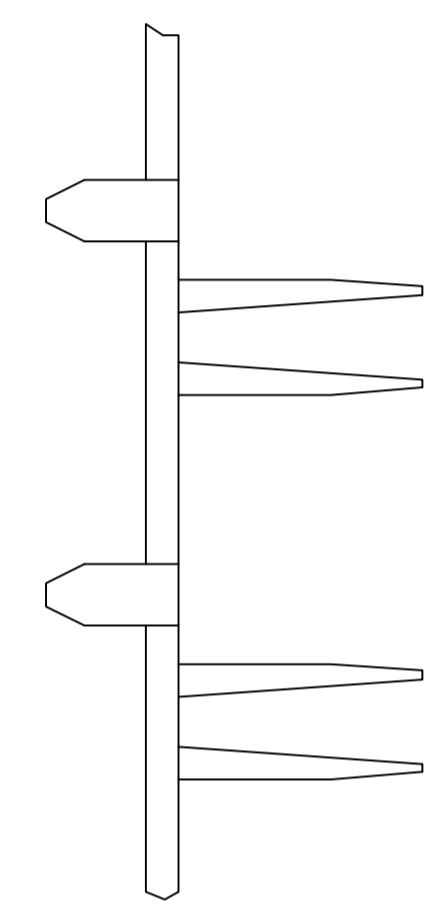


- ⚠ 0.76 μm [.000030] MIN GOLD ON LOCALIZED GOLD PLATE AREA, 2.54 μm [.000100] MIN TIN-LEAD ON CRIMP AREA BOTH OVER, 1.27 μm [.000050] MIN NICKEL ON ENTIRE CONTACT.
- ⚠ 0.38 μm [.000015] MIN GOLD ON LOCALIZED GOLD PLATE AREA, 2.54 μm [.000100] MIN TIN-LEAD ON CRIMP AREA, BOTH OVER 1.27 μm [.000050] MIN NICKEL ON ENTIRE CONTACT.
- 3. ACCEPTS 0.38 \pm 0.03 [.015 \pm .001] SQUARE POST, 3.18-8.89 [.125-.350] LONG.
- ⚠ 0.76 μm [.000030] MIN GOLD ON LOCALIZED GOLD PLATE AREA, GOLD FLASH IN CRIMP AREA, BOTH OVER 1.27 μm [.000050] MIN NICKEL ON ENTIRE CONTACT.
- ⚠ 0.38 μm [.000015] MIN GOLD ON LOCALIZED GOLD PLATE AREA, GOLD FLASH IN CRIMP AREA, BOTH OVER 1.27 μm [.000050] MIN NICKEL ON ENTIRE CONTACT.



⚠ 5	1-487547-2
⚠ 4	1-487547-1
⚠ 2	487547-9
⚠ 1	487547-1
FINISH	PART NUMBER

THIS DRAWING IS A CONTROLLED DOCUMENT.		DIN L/SIPE 05/05/92	Tyco Electronics Corporation Harrisburg, PA 17105-3608	
DIMENSIONS: mm [INCHES]		CHK R.STONE 5-13-92	NAME CONTACT, RECEPTACLE, .050 C/L, FFC	
TOLERANCES UNLESS OTHERWISE SPECIFIED:		APVD	PRODUCT SPEC 108-16022	
0. PLC \pm -	1. PLC \pm -	APPLICATION SPEC 114-16008		
2. PLC \pm 0.13 [.005]	3. PLC \pm 0.013 [.0005]	SIZE A1	CAGE CODE 00779	DRAWING NO. 487547
4. PLC ANGLES \pm -	FINISH SEE TABLE	WEIGHT	SCALE 20:1	SHEET 1 OF 1
MATERIAL 0.216 [.0085] THICK	REVISIONS	CUSTOMER DRAWING	REV M	