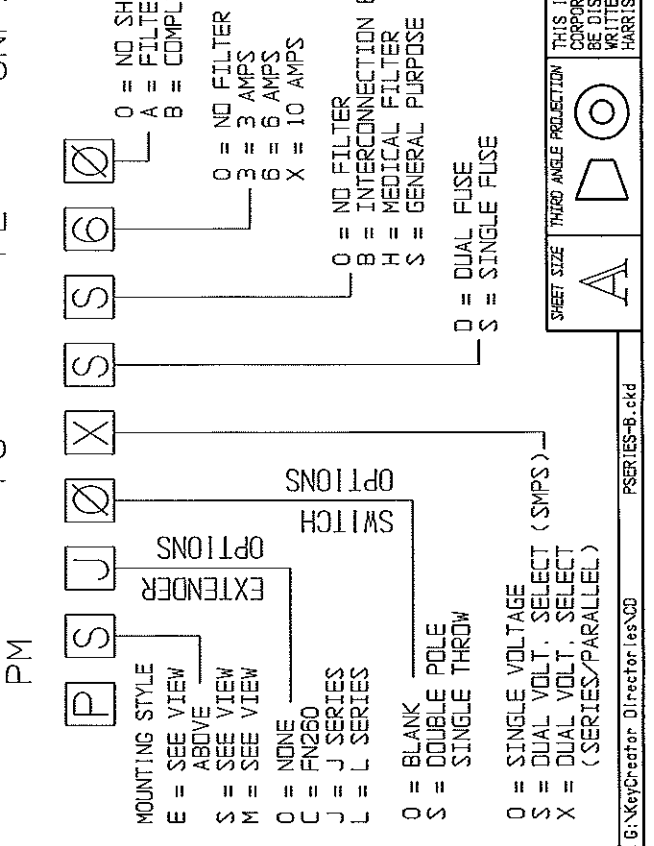
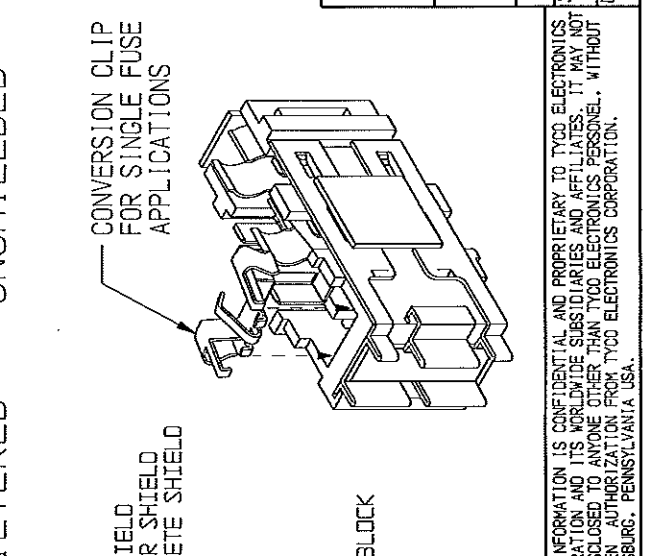
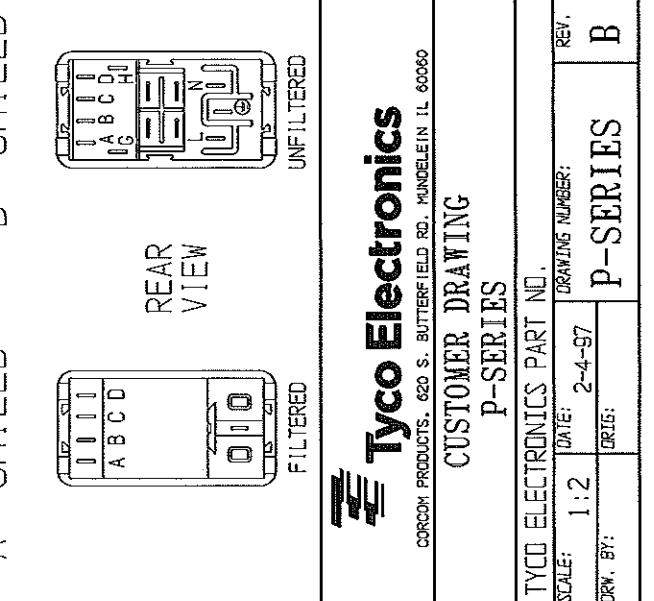
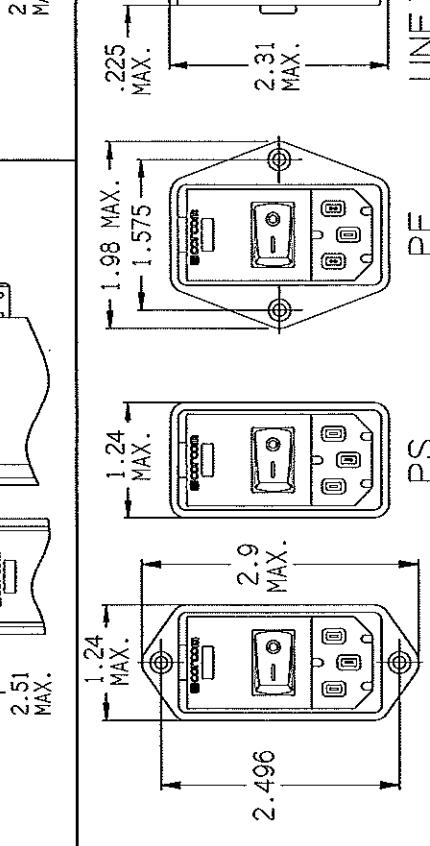
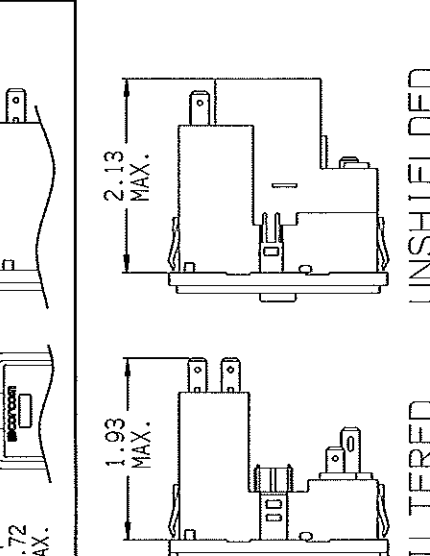
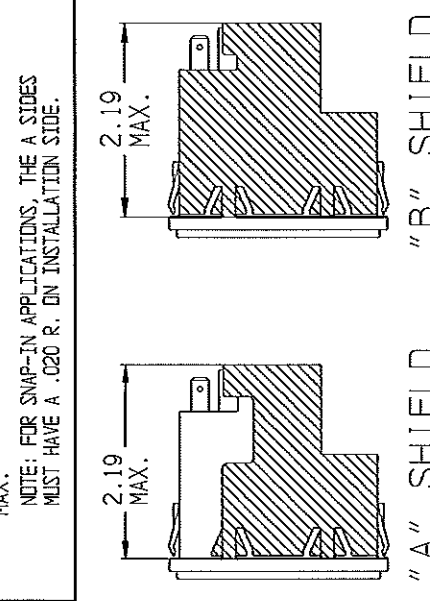


**RECOMMENDED PANEL CUTOUTS**

STYLE	DIMENSION 'A'		DIMENSION B	
	UNSHIELDED	SHIELDED	UNSHIELDED	SHIELDED
PS	1.06	1.12	2.201 *	2.201 *
PSL	1.12		2.201 *	2.201 *
PE	1.12	1.12	2.201 *	2.201 *
PM	1.06	1.12	2.13	2.13
PSC	1.06	1.12	2.52	2.52
PSJ	1.06	1.12	2.6	2.6

\* FOR PANEL THICKNESS OF 0.031" - 0.079" ONLY.  
USE 2.213 FOR PANEL THICKNESS OF 0.083" - 0.114"



**MOUNTING STYLE**

E = SEE VIEW ABOVE

S = SEE VIEW

M = SEE VIEW

O = NONE

C = FN260

J = J SERIES

L = L SERIES

**SWITCH OPTIONS**

O = BLANK

S = DOUBLE POLE SINGLE THROW

**POLE OPTIONS**

O = SINGLE VOLTAGE

S = DUAL VOLT. SELECT (SWPS)

X = DUAL VOLT. SELECT (SERIES/PARALLEL)

**Tyco Electronics**

CORCOM PRODUCTS, 620 S. BUTTERFIELD RD., KUNDELEIN IL 60060

**CUSTOMER DRAWING**

P-SERIES

TYCO ELECTRONICS PART NO.

SCALE: 1:2

DATE: 2-4-97

DRW. BY:

DRAWING NUMBER: P-SERIES

REV. B

THIS INFORMATION IS CONFIDENTIAL AND PROPRIETARY TO TYCO ELECTRONICS CORPORATION AND ITS WORLDWIDE SUBSIDIARIES AND AFFILIATES. IT MAY NOT BE DISCLOSED TO ANYONE OTHER THAN TYCO ELECTRONICS PERSONNEL, WITHOUT WRITTEN AUTHORIZATION FROM TYCO ELECTRONICS CORPORATION, HARRISBURG, PENNSYLVANIA, USA.

**LEGEND**

0 = NO SHIELD

A = FILTER SHIELD

B = COMPLETE SHIELD

0 = NO FILTER

3 = 3 AMPS

6 = 6 AMPS

X = 10 AMPS

0 = NO FILTER

B = INTERCONNECTION BLOCK

H = MEDICAL FILTER

S = GENERAL PURPOSE

D = DUAL FUSE

S = SINGLE FUSE

**THIRD ANGLE PROJECTION**

A

SHEET SIZE

PSERIES-B.ekd

SPECIFICATIONS - NONFILTERED MODELS

HIPOT RATING (ONE MINUTE)  
 LINE TO GROUND: 1500 VAC  
 LINE TO LINE: 1450 VDC  
 OPERATING FREQUENCY: 50/60 Hz  
 RATED VOLTAGE: 120/250 VAC  
 RATED CURRENT: 10A @ 120 VAC  
 10A @ 250 VAC

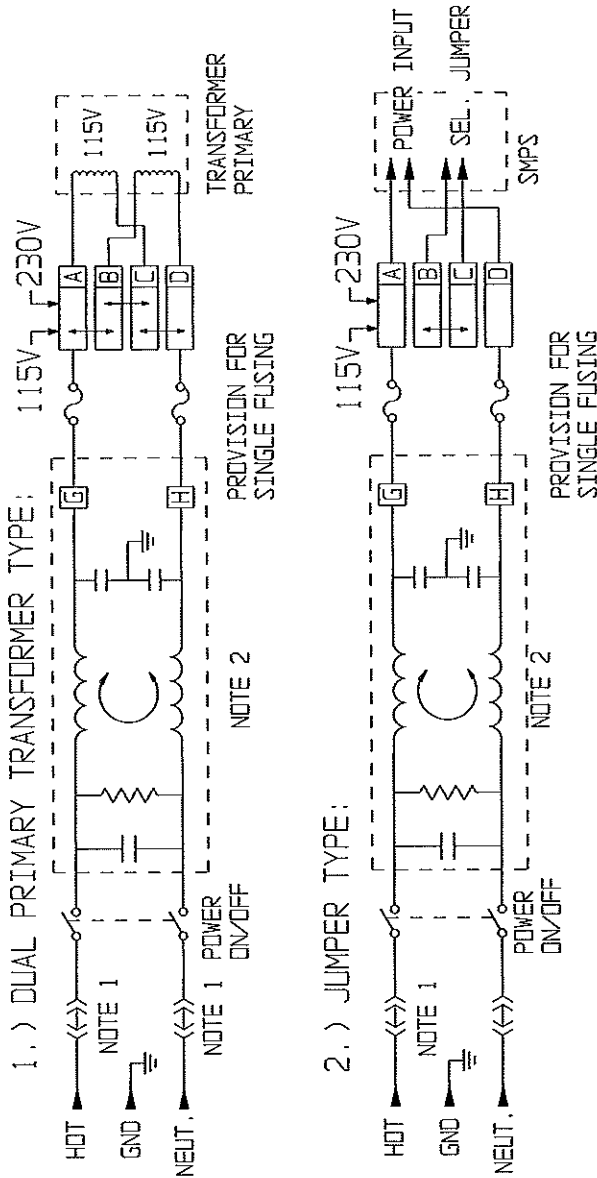
OPERATING VOLTAGES:  
 SELECTABLE OR FIXED: 115/230 VAC  
 FUSEHOLDER: ACCEPTS 1 OR 2 FUSES  
 1/4" x 1-1/4" OR 5 x 20mm

SPECIFICATIONS - FILTERED MODELS

MAXIMUM LEAKAGE CURRENT, EACH LINE TO GROUND  
 @ 120 VAC 60Hz: H MODELS 2µA  
 S MODELS 0.25mA  
 @ 250 VAC 50Hz: H MODELS 5µA  
 S MODELS 0.50mA

HIPOT RATING (ONE MINUTE)  
 LINE TO GROUND: 1500 VAC  
 LINE TO LINE: 1450 VDC  
 OPERATING FREQUENCY: 50/60 Hz  
 RATED VOLTAGE: 120/250 VAC  
 RATED CURRENT: 3, 6 & 10 AMP  
 MODELS AVAILABLE

OPERATING VOLTAGES:  
 SELECTABLE OR FIXED: 115/230 VAC  
 FUSEHOLDER: ACCEPTS 1 OR 2 FUSES  
 1/4" x 1-1/4" OR 5 x 20mm



NOTE 1: JUMPERS ARE REQUIRED IF A FILTER OR INTERCONNECTION MODULE IS NOT USED.  
 NOTE 2: LOCATION OF OPTIONAL FILTER. JUMPERS ARE REQUIRED IF A FILTER OR INTERCONNECTION MODULE IS NOT USED.

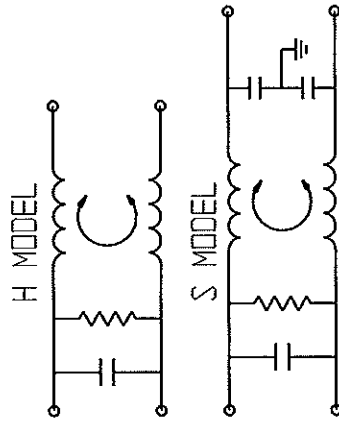
GENERAL NOTES:  
 CONVERSION CLIP PROVIDED ON FUSEHOLDER FOR SINGLE FUSE MODELS.  
 SWITCH: DOUBLE INSULATED RATED FOR 10,000 OPERATIONS AT FULL LOAD.  
 51 AMP INRUSH CAPABILITY.  
 TERMINALS: 0.187" x 0.032" FASTON TABS

SAFETY ORGANIZATIONS

THIS FILTER HAS BEEN FORMALLY RECOGNIZED, CERTIFIED OR APPROVED BY THE LISTED AGENCY, THEREFORE, ALL TEST/REQUIREMENTS SPECIFIED IN THE LATEST REVISION OF THE FOLLOWING AGENCY STANDARDS HAVE BEEN MET:



UL RECOGNIZED  
 CSA CERTIFIED  
 VDE APPROVED



SEE INDIVIDUAL CUSTOMER DRAWINGS FOR OTHER (L AND Z) P-SERIES VERSIONS.

THIS INFORMATION IS CONFIDENTIAL AND PROPRIETARY TO TYCO ELECTRONICS CORPORATION AND ITS WORLDWIDE SUBSIDIARIES AND AFFILIATES. IT MAY NOT BE DISCLOSED TO ANYONE OTHER THAN TYCO ELECTRONICS PERSONNEL, WITHOUT WRITTEN AUTHORIZATION FROM TYCO ELECTRONICS CORPORATION, HARRISBURG, PENNSYLVANIA, USA.

**Tyco Electronics**  
 CUSTOMER DRAWING  
 P-SERIES

TYCO ELECTRONICS PART NO.

SCALE: NA DATE: 2/4/97 DRAWING NUMBER:  
 DRW. BY: DRIG: P-SERIES REV. B

CONCORD PRODUCTS, 620 S. BUTTERFIELD RD., MUNDELEIN, IL 60060