

**Inductive Filtering Modular RJ Jacks**

# L Series



**UL Recognized  
CSA Certified**



## L Series

Inductive filtering in a direct retrofit to standard unfiltered RJ11, RJ45, or handset jacks. Offered with standard ferrite sleeve inductors or higher performance ferrite blocks, the L series is available with or without a shield.

### Part Numbers

Inductor Filter	
RJH-4L-B	RJ45-6L-S
RJ11-2L-S	RJ45-6L-B
RJ11-2L-B	RJ45-8L-S
RJ11-4L-S	RJ45-8L-B
RJ11-4L-B	
RJ11-6L-S	
RJ11-6L-B	

Inductor Filter and Shield	
RJ11-2L2-B	RJ45-6L1-S
RJ11-4L1-S	RJ45-6L1-B
RJ11-4L1-B	RJ45-6L2-S
RJ11-4L2-S	RJ45-6L2-B
RJ11-4L2-B	RJ45-8L1-S
RJ11-6L1-S	RJ45-8L1-B
RJ11-6L1-B	RJ45-8L2-S
RJ11-6L2-S	RJ45-8L2-B
RJ11-6L2-B	



See page 167 for the CORCOM new low profile RJ Jacks.

### Specifications

**Contacts:**

Material: Phosphor Bronze  
 Plating: 50 microinches gold  
 Barrier underplating: 100 microinches nickel  
 Resistance:  
 Initial: 20 milliohms max.  
 After durability testing: 30 milliohms max.  
 (500 mating cycles)

**Ferrites:**

Type: High resistivity, nickel zinc ceramic  
 Sleeves: Single-aperture cylinders  
 Block: Multi-aperture rectangular prism

**Shield Material:**

Tin-plated copper alloy

**Housing Material:**

Glass-filled polyester (UL94V-0)

**Dielectric Withstanding Voltage:**

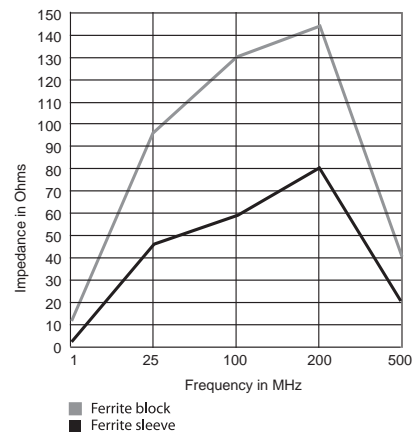
Line-to-line and line-to-ground: 1000 VAC for 60 seconds

**Printed Circuit Board Retention:**

Before soldering: 1 lb. minimum  
 After soldering: 20 lb. minimum

Model dimensions and PC board layout on pages 170 to 174.

### Typical Impedance in Ohms

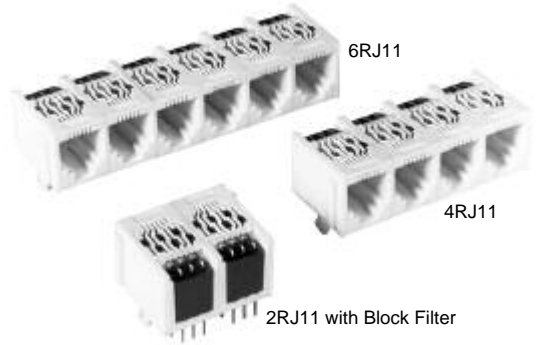


**L Series - Ganged Version**

# L - Ganged Series



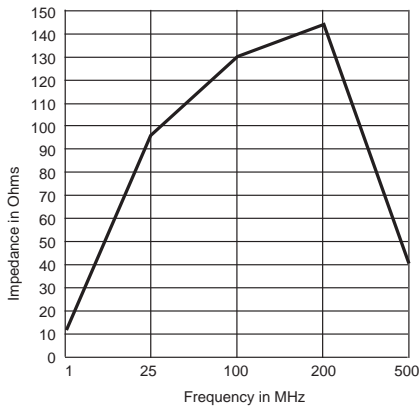
**UL Recognized  
CSA Certified**



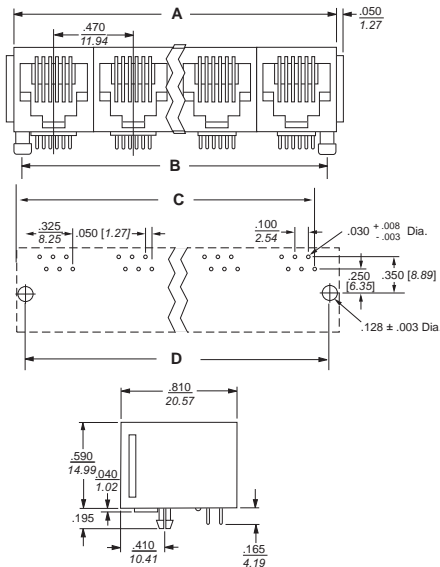
## L - Ganged Series

Ganged version of our L series filtered jacks. Available in RJ11 models with block inductors in gangs of 2, 4, or 6. Retrofits existing unfiltered ganged jack footprints.

### Typical Impedance in Ohms



### Model Dimensions and PC Board Layout



## Specifications

### Contacts:

Material: Phosphor Bronze  
 Plating: 50 microinches gold  
 Barrier underplating: 100 microinches nickel  
 Resistance:  
 Initial: 20 milliohms max.  
 After durability testing: 30 milliohms max.  
 (500 mating cycles)

### Ferrites:

Type: High resistivity, nickel zinc ceramic  
 Block: Multi-aperture rectangular prism

### Housing Material:

Glass-filled polyester (UL94V-0)

### Dielectric Withstanding Voltage:

Line-to-line and line-to-ground: 1000 VAC for 60 seconds

### Printed Circuit Board Retention:

Before soldering: 1 lb. minimum  
 After soldering: 20 lb. minimum

## Part Numbers

2RJ11-6L-B  
 4RJ11-6L-B  
 6RJ11-6L-B

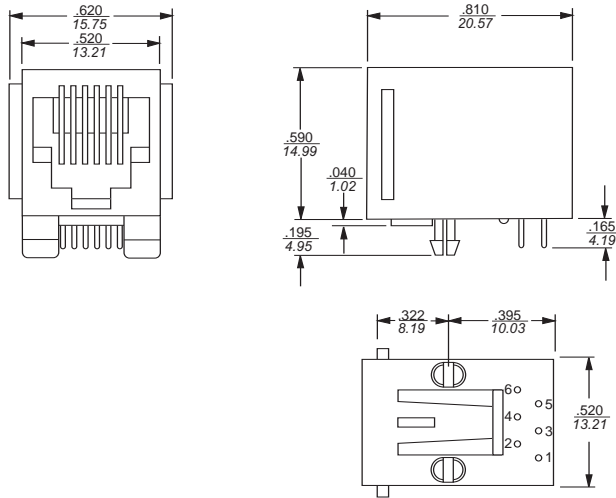
Ports	A	B	C	D
2	.99 25.15	.87 22.1	.795 20.19	.87 22.1
4	1.93 49.02	1.81 45.97	1.735 44.07	1.81 25.97
6	2.87 72.9	2.75 69.85	2.675 67.95	2.75 69.85

**Model Dimensions**

**Standard Profile RJ Jack Dimensions**

For the L, LC, LCT and X Series of RJ Jack Filters

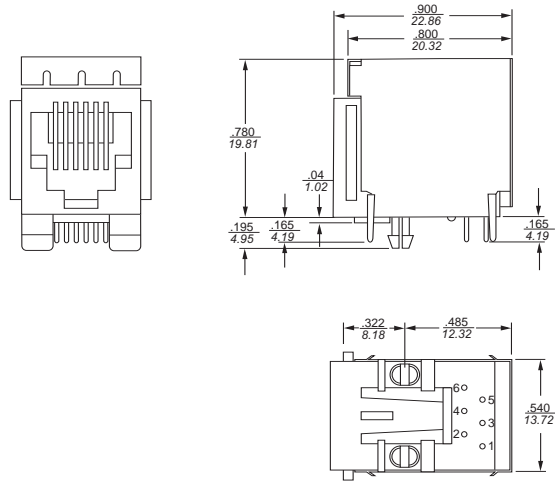
**RJ11 (No Shield)**



**Part Numbers**

RJ11-2L-S	RJ11-2L-B	RJ11-2X
RJ11-4L-S	RJ11-4L-B	RJ11-4X
RJ11-6L-S	RJ11-6L-B	RJ11-6X

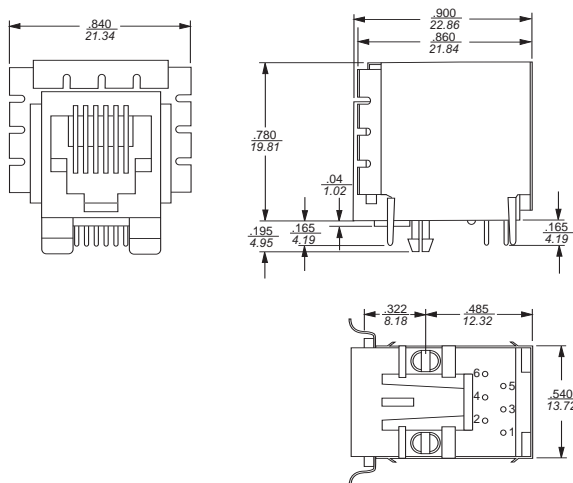
**RJ11 (Style 2 Shield)**



**Part Numbers**

RJ11-2LC2-S	RJ11-2LC2-B	RJ11-4L2-S	RJ11-6L2-B
RJ11-4LC2-S	RJ11-4LC2-B	RJ11-6L2-S	RJ11-6LCT2-S
RJ11-6LC2-S	RJ11-6LC2-B	RJ11-4L2-B	RJ11-6LCT2-B

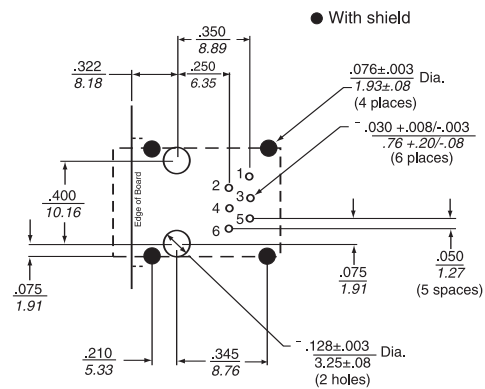
**RJ11 (Style 1 Shield)**



**Part Numbers**

RJ11-2LC1-S	RJ11-2LC1-B	RJ11-4L1-S	RJ11-6L1-B
RJ11-4LC1-S	RJ11-4LC1-B	RJ11-6L1-S	RJ11-6LCT1-S
RJ11-6LC1-S	RJ11-6LC1-B	RJ11-4L1-B	RJ11-6LCT1-B

**RJ11 (PC Board Layout)**



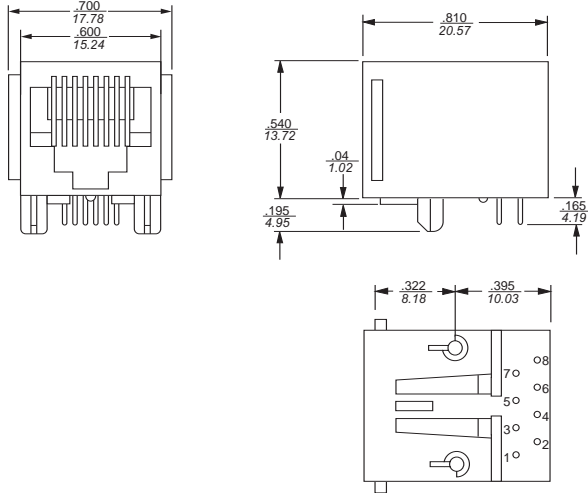
Shown from Component Side  
For all RJ11 L, LC, LCT and X Series Models

**Model Dimensions (Continued)**

**Standard Profile RJ Jack Dimensions (cont'd)**

For the L, LC, LCT and X Series of RJ Jack Filters

**RJ45 (No Shield)**

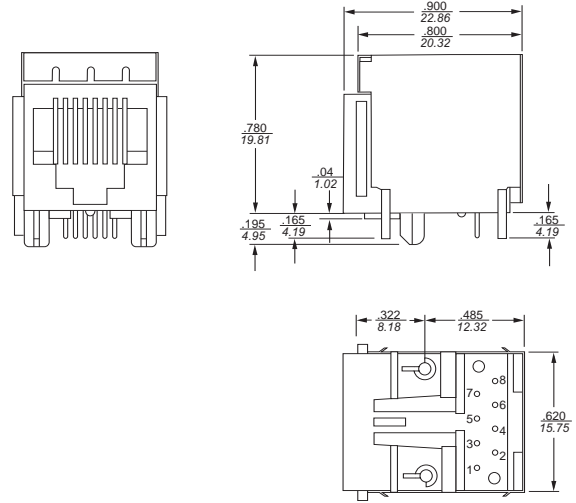


**Part Numbers**

RJ45-6L-S  
RJ45-8L-S  
RJ45-6L-B

RJ45-8L-B  
RJ45-6X  
RJ45-8X

**RJ45 (Style 2 Shield)**



**Part Numbers**

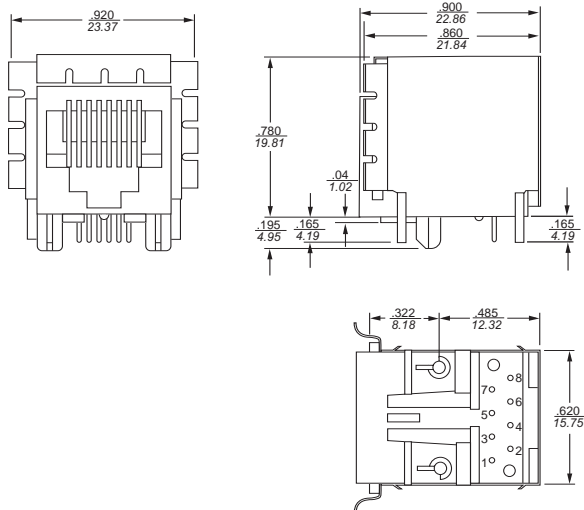
RJ45-6LC2-S  
RJ45-6L2-S  
RJ45-8LCT2-S

RJ45-8LC2-S  
RJ45-8L2-S  
RJ45-8LCT2-B

RJ45-6LC2-B  
RJ45-6L2-B

RJ45-8LC2-B  
RJ45-8L2-B

**RJ45 (Style 1 Shield)**



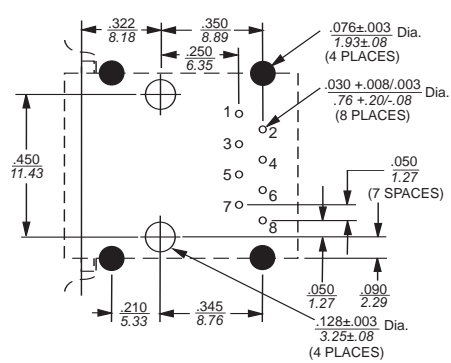
**Part Numbers**

RJ45-6LC1-S  
RJ45-6L1-S  
RJ45-8LCT1-S

RJ45-8LC1-S  
RJ45-8L1-S  
RJ45-8LCT1-B

RJ45-6LC1-B  
RJ45-6L1-B  
RJ45-8LC1-B  
RJ45-8L1-B

**RJ45 (PC Board Layout)**



Shown from Component Side

For all RJ45 L, LC, LCT and X Series Models.

**Part Numbers**

RJ45-6LC2-S  
RJ45-6L2-S  
RJ45-8LCT2-B

RJ45-8LC2-S  
RJ45-8L2-S  
RJ45-8LCT2-S

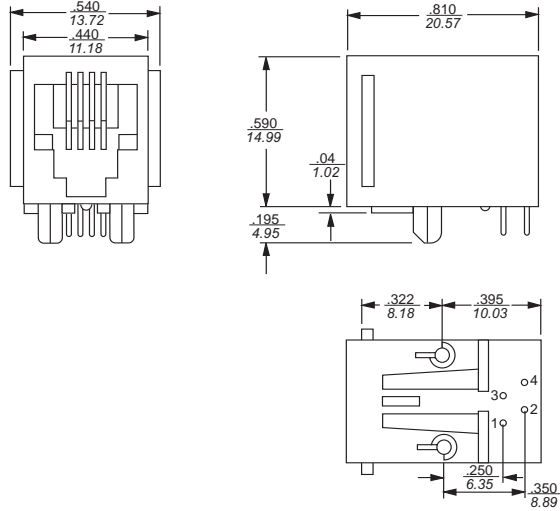
RJ45-6LC2-B  
RJ45-6L2-B

RJ45-8LC2-B  
RJ45-8L2-B

**Model Dimensions (Continued)**

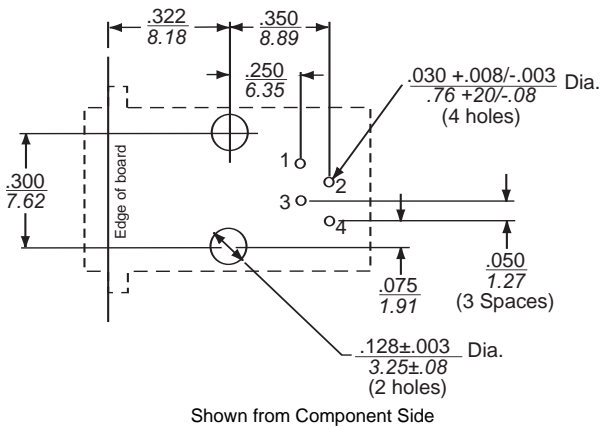
**Standard Profile RJ Jack Dimensions (cont'd)**  
For the L, LC, LCT and X Series of RJ Jack Filters

**RJH (No Shield)**



**Part Numbers**  
RJH-4-L-B

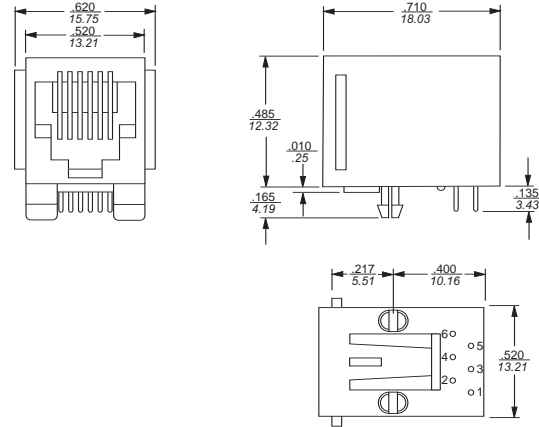
**RJH (No Shield - PC Board Layout)**



All tolerances  $\pm 0.010$  [0.25] unless otherwise noted.

**Low Profile RJ Jack Dimensions**  
For the N and Z Series of RJ Jack Filters

**RJ11 (Low Profile - No Shield)**

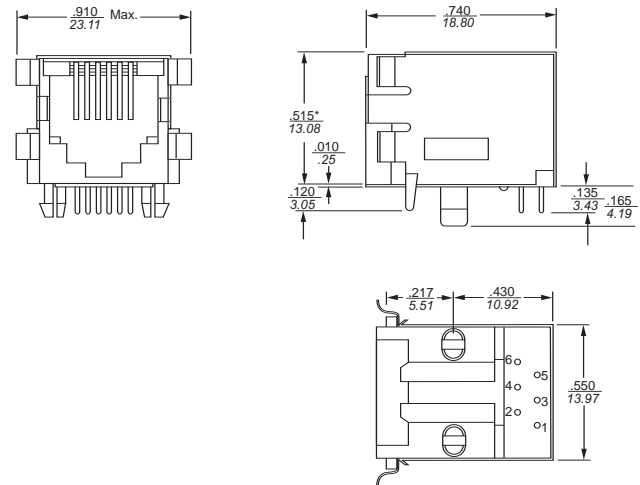


**Part Numbers**  
RJ11-6N-B

RJ11-6N-S

RJ11-6Z

**RJ11 Low Profile (Style 3 Shield)**



**Part Numbers**  
RJ11-6N3-B

RJ11-6N3-S

RJ11-6Z3

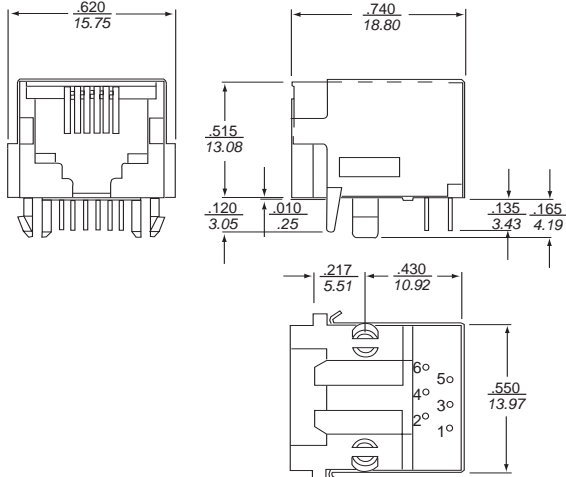
\*To top of shield

**Model Dimensions (Continued)**

**Low Profile RJ Jack Dimensions (cont'd)**

For the N and Z Series of RJ Jack Filters

**RJ11 Low Profile (Style 4 Shield)**

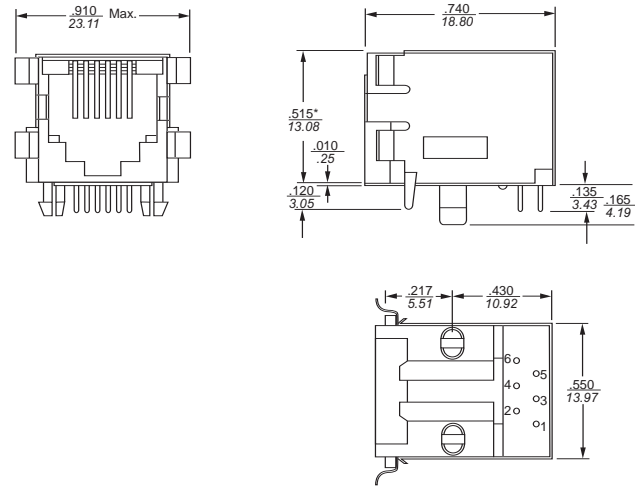


**Part Numbers**

RJ11-6N4-B RJ11-6N4-S

RJ11-6Z4

**RJ45 Low Profile (No Shield)**

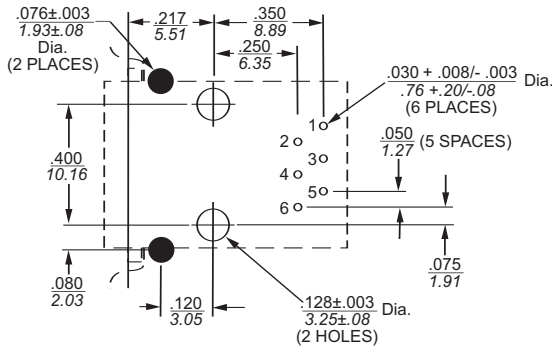


**Part Numbers**

RJ11-6N3-B RJ11-6N3-S

RJ11-6Z3

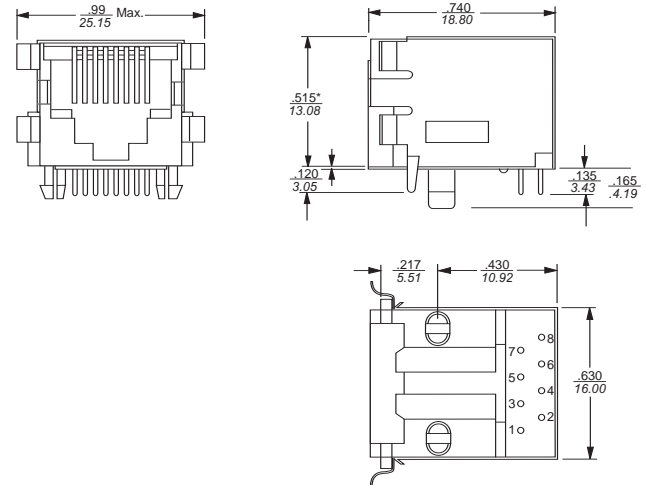
**RJ11 Low Profile (PC Board Layout)**



Shown from Component Side

For all RJ11 N and Z Series Models

**RJ45 Low Profile (Style 3 Shield)**



**Part Numbers**

RJ45-8N3-B RJ45-8N3-S

RJ45-8Z3

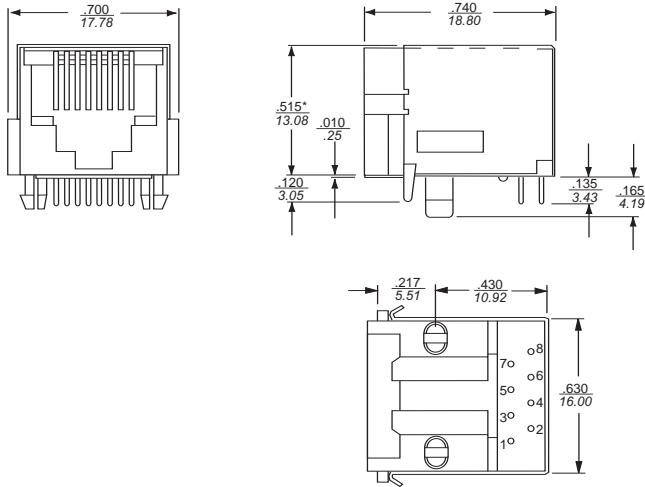
\*To top of shield

**Model Dimensions (Continued)**

**Low Profile RJ Jack Dimensions (cont'd)**

For the N and Z Series of RJ Jack Filters

**RJ45 Low Profile (Style 4 Shield)**



**Part Numbers**

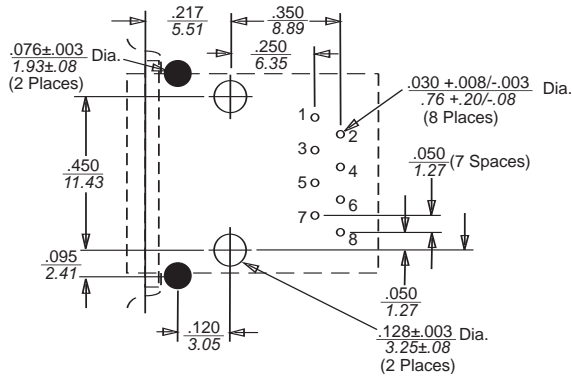
RJ45-8N4-B

RJ45-8N4-S

RJ45-8Z4

\*To top of shield

**RJ45 Low Profile (PC Board Layout)**



Shown from Component Side

For all RJ45 N and Z Series Models

All tolerances  $\pm 0.010$  [0.25] unless otherwise noted.