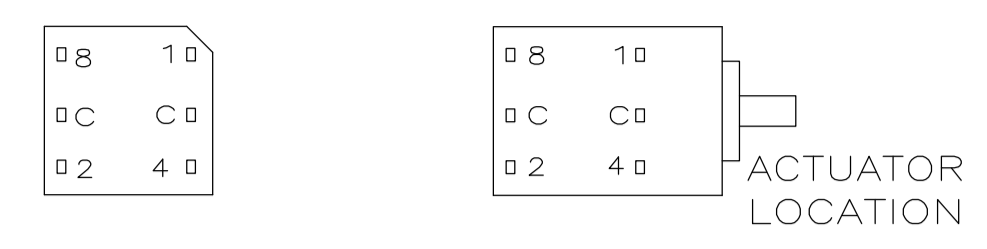


TERMINAL IDENTIFICATION FOR DR SERIES ONLY  
 (VIEWED FROM BOTTOM OF SWITCH)



10-POSITION, BCD SEE NOTE 2

POS	0	1	2	3	4	5	6	7	8	9
C	X	X	X	X	X	X	X	X	X	X
1		X		X		X		X		X
2			X	X			X	X		
4					X	X	X	X		
8									X	X

16-POSITION, HEXADECIMAL SEE NOTE 3

POS	0	1	2	3	4	5	6	7	8	9	A	B	C	D	E	F
C	X	X	X	X	X	X	X	X	X	X	X	X	X	X	X	X
1		X		X		X		X		X		X		X		
2			X	X			X	X			X	X			X	
4					X	X	X	X				X	X	X	X	
8									X	X	X	X	X	X	X	

10 POSITION, BCD COMPLEMENT SEE NOTE 4

POS	0	1	2	3	4	5	6	7	8	9
C̄	X	X	X	X	X	X	X	X	X	X
1̄	X		X		X		X		X	
2̄	X	X			X	X			X	X
4̄	X	X	X	X					X	X
8̄	X	X	X	X	X	X	X	X		

16-POSITION, HEXADECIMAL COMPLEMENT SEE NOTE 5

POS	0	1	2	3	4	5	6	7	8	9	A	B	C	D	E	F
C̄	X	X	X	X	X	X	X	X	X	X	X	X	X	X	X	X
1̄	X		X		X		X		X		X		X		X	
2̄	X	X			X	X			X	X		X	X			
4̄	X	X	X	X					X	X	X	X				
8̄	X	X	X	X	X	X	X	X								

SPECIFICATIONS:

MATERIAL:

FRAME & CASE: PPS UL94V-0, BLACK  
 ROTOR, PPS UL94V-0, COLOR SEE P/N TABLE  
 FIXED CONTACT TERMINAL: COPPER ALLOY, GOLD FLASH OVER NICKEL PLATE  
 MOVING CONTACT: COPPER ALLOY, GOLD FLASH OVER NICKEL PLATE  
 BALL SUPPORT PLATE: COPPER ALLOY  
 BALL: STAINLESS STEEL  
 DETENT SPRING: STAINLESS STEEL  
 BUSHING (DRS): ZINC DIE CAST  
 SHAFT (DRS): COPPER ALLOY-NICKEL PLATE

ELECTRICAL:

CONTACT RATING: 0.4 VA @ 20V DC OR PEAK AC  
 INITIAL CONTACT RESISTANCE: 50 MILLIOHMS MAX.  
 INSULATION RESISTANCE: 1,000 MEGOHMS @ 100V DC.  
 DIELECTRIC STRENGTH: 300V AC  
 LIFE EXPECTANCY: 10,000 ROTATIONS

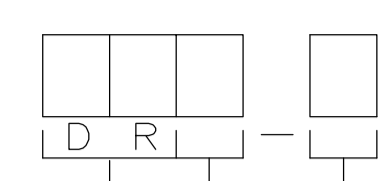
MECHANICAL:

OPERATING FORCE: 13.88 OZF.IN. MAX

ENVIRONMENTAL:

OPERATING TEMPERATURE: -30 TO +85 DEGREES C  
 STORAGE TEMPERATURE: -45 TO +100 DEGREES C  
 RESISTANCE TO SOLDER HEAT-PER 109-202, COND B (THRU-HOLE)  
 SOLDERABILITY- PER JIS C 0050 & JIS C 0053

HOW TO ORDER



SERIES \_\_\_\_\_  
 ROTARY DIPS (BLACK CASE)  
 ACTUATOR STYLE \_\_\_\_\_  
 M= MINI PLASTIC SHAFT  
 W= WHEEL  
 S= METAL SHAFT  
 CIRCUIT TYPES \_\_\_\_\_  
 10= BC DECIMAL  
 10C= BCD COMPLEMENT  
 16= HEXADECIMAL  
 16C= HEXADECIMAL COMPLEMENT

NOTES:

- COMMON TERMINALS ARE CONNECTED INTERNALLY.
- RED ROTOR WITH WHITE PRINTING ON TOP AND SIDE OF SWITCH. "S" STYLES HAVE NOT PRINTING ON TOP.
- BLACK ROTOR WITH WHITE PRINTING ON TOP AND SIDE OF SWITCH. "S" STYLES HAVE NO PRINTING ON TOP.
- ORANGE ROTOR WITH WHITE PRINTING ON TOP AND SIDE OF SWITCH EXCEPT FOR THE "W" STYLES, WHICH HAVE BLACK PRINTING ON TOP. "S" STYLES HAVE NO PRINTING ON TOP.
- WHITE ROTOR WITH WHITE PRINTING ON TOP AND SIDE OF SWITCH EXCEPT FOR THE "W" STYLES, WHICH HAVE BLACK PRINTING ON TOP. "S" STYLE HAVE NO PRINTING ON TOP.
- ALL MATERIALS AND FINISHES SHALL COMPLY WITH EU DIRECTIVE 2002/95/EC OF 27JAN2003 (ROHS)

7. LOCATE 'ALCO' TRADE NAME AND LOT NUMBER MARKING. LOT NUMBER TO BE MARKED AS FOLLOW:

4 F  
 1ST DIGIT 2ND DIGIT  
 YEAR 1194 MONTH 6

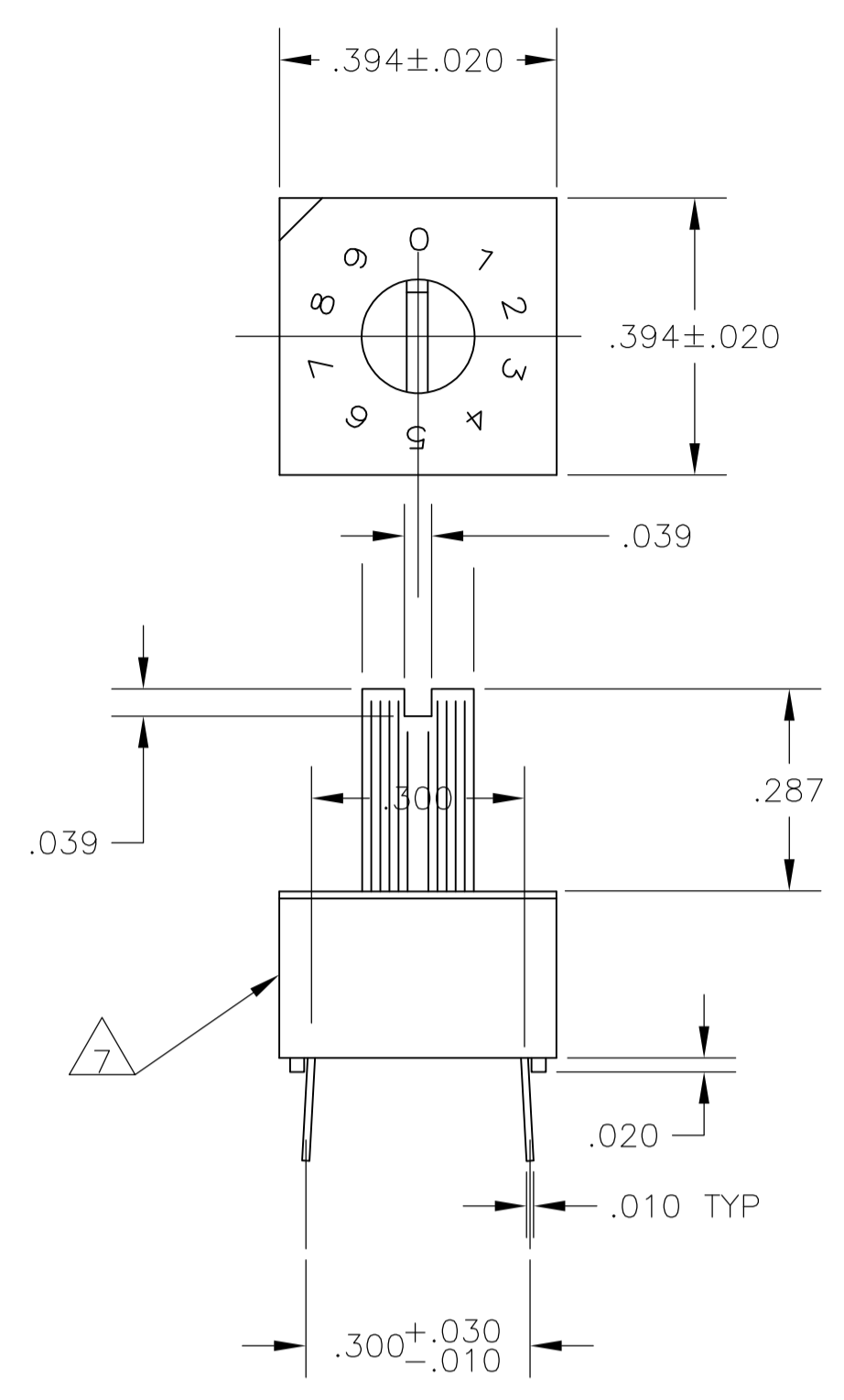
MARK WITH PERMANENT WHITE INK.

SEE SHEET 2 FOR DIMENSIONAL SPEC'S

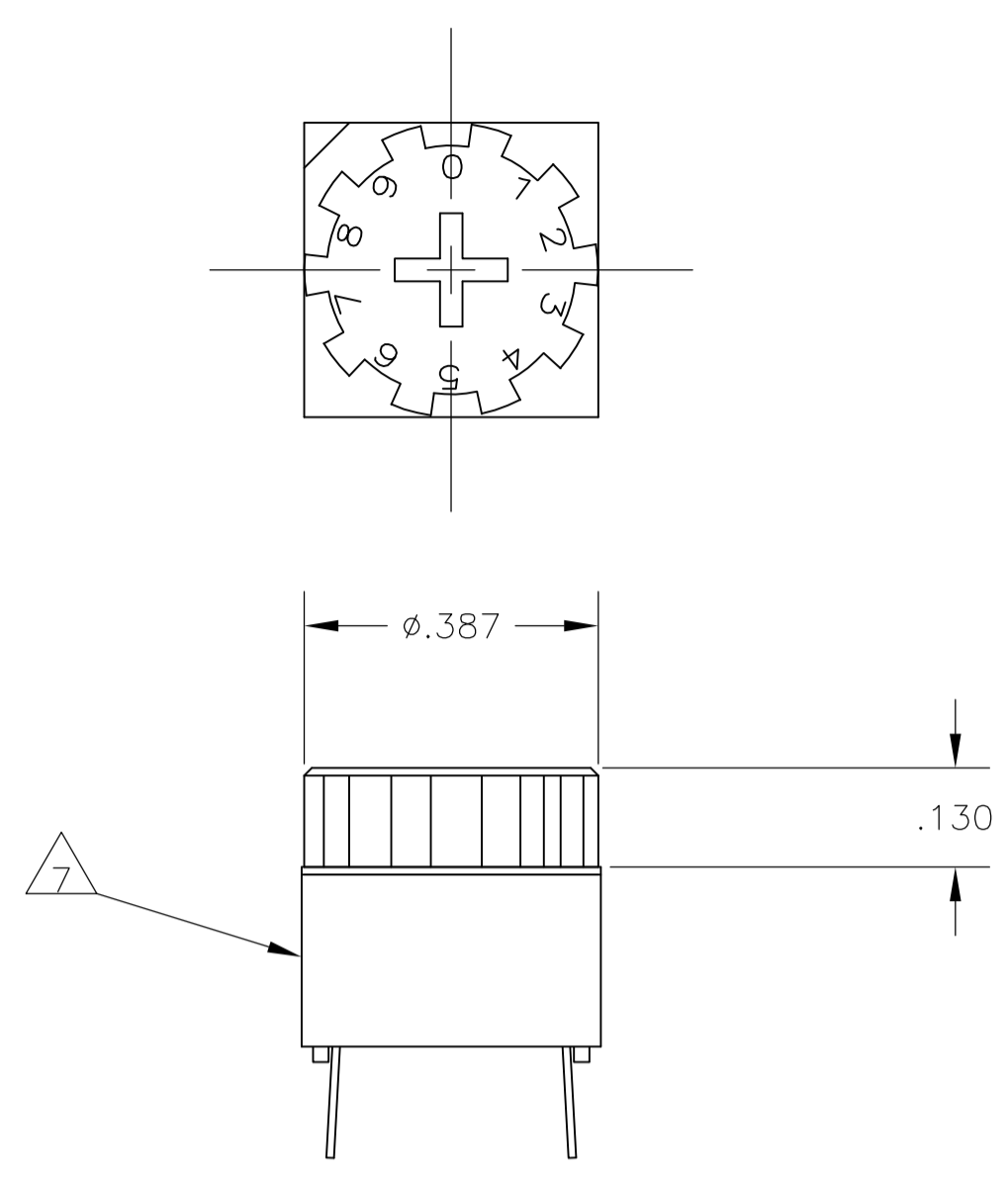
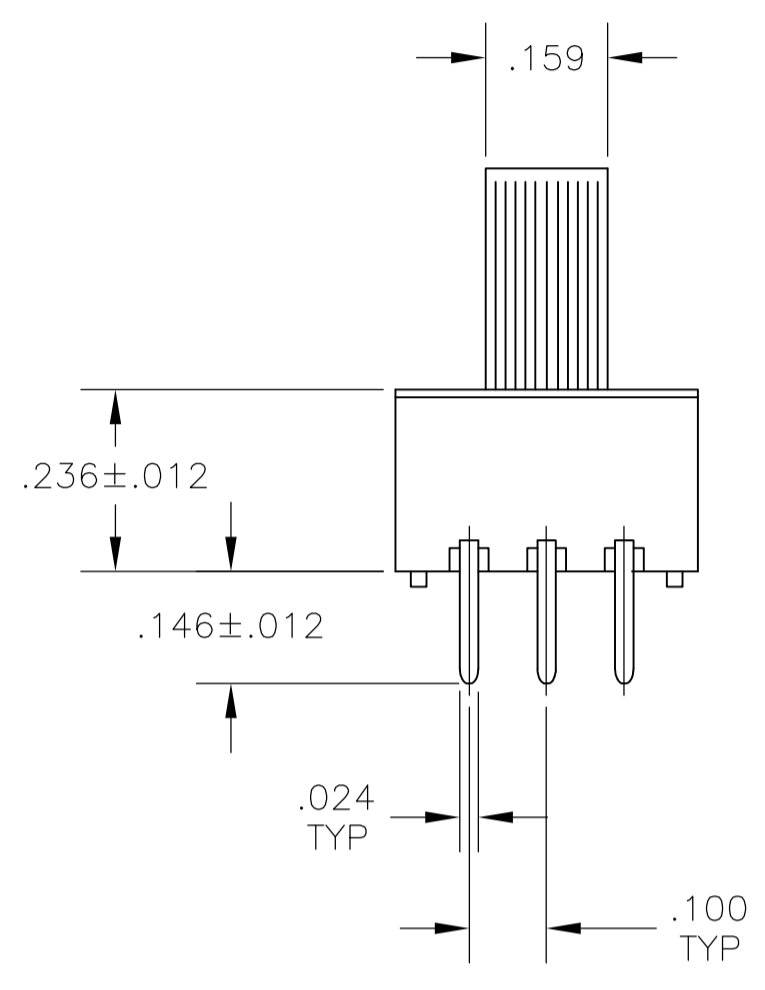
N/A	BLACK	DRS16C	5-1825033-6
N/A	BLACK	DRS16	5-1825033-1
N/A	BLACK	DRS10C	4-1825033-6
N/A	BLACK	DRS10	4-1825033-1
WHITE	BLACK	DRW16C	3-1825033-6
BLACK	BLACK	DRW16	3-1825033-1
ORANGE	BLACK	DRW10C	2-1825033-6
RED	BLACK	DRW10	2-1825033-1
WHITE	BLACK	DRM16C	1-1825033-6
BLACK	BLACK	DRM16	1-1825033-1
ORANGE	BLACK	DRM10C	1825033-6
RED	BLACK	DRM10	1825033-1
ROTOR COLOR	CASE COLOR	ALCO P/N	PART NO.

THIS DRAWING IS A CONTROLLED DOCUMENT.		20JUN05		Tyco Electronics Corporation Harrisburg, Pa 17105-3608	
DIMENSIONS: INCHES		TOLERANCES UNLESS OTHERWISE SPECIFIED:		Tyco Electronics	
0. PLC ± .010		1. PLC ± .010		NAME	
1. PLC ± .010		2. PLC ± .010		PRODUCT SPEC	
2. PLC ± .010		3. PLC ± .010		APPLICATION SPEC	
3. PLC ± .010		4. PLC ± .010		SIZE	
4. PLC ± .010		ANGLES ± .1°		CAGE CODE	
MATERIAL		FINISH		DRAWING NO	
				A1 00779	
				RESTRICTED TO	
				1825033	
				CUSTOMER DRAWING	
				SCALE 1:1 SHEET 1 OF 2 REV A2	

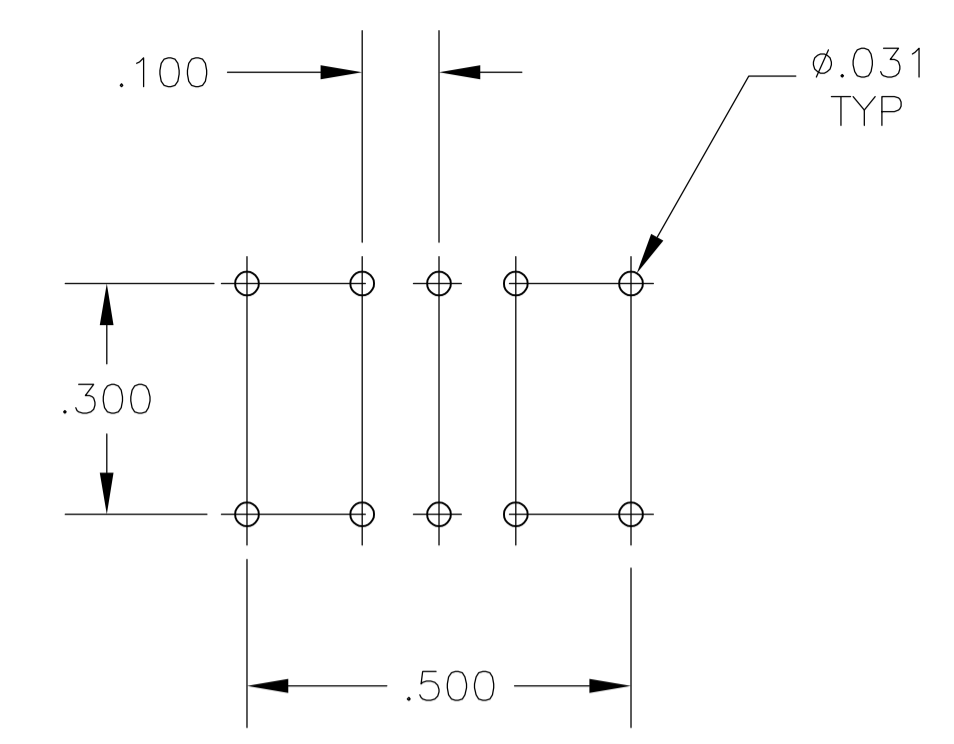
LOC		DIST		REVISIONS				
AD	00	REV	DATE	DESCRIPTION	DATE	BY	APPROV	
		1		SEE SHEET 1				



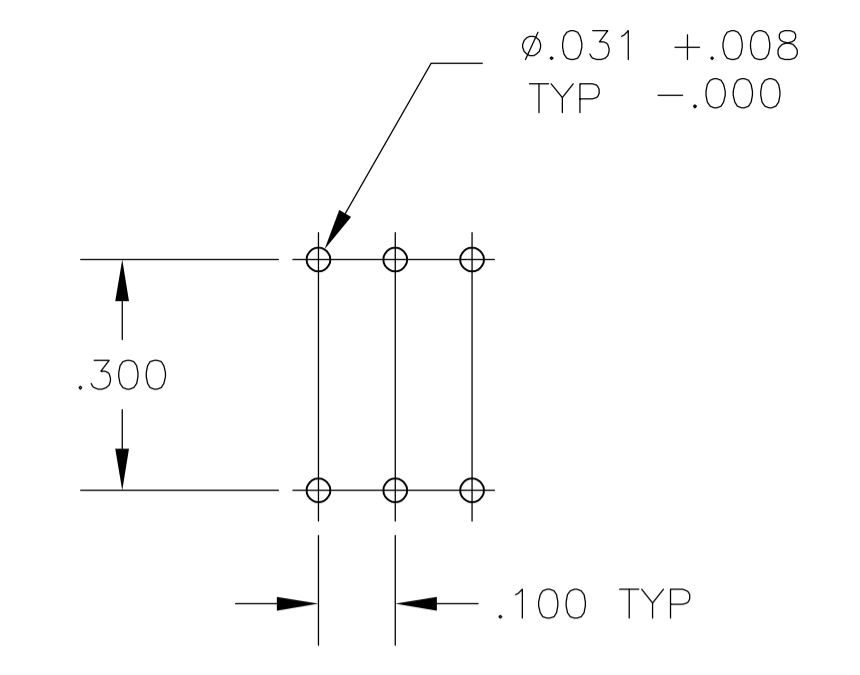
DRM  
PC MOUNT



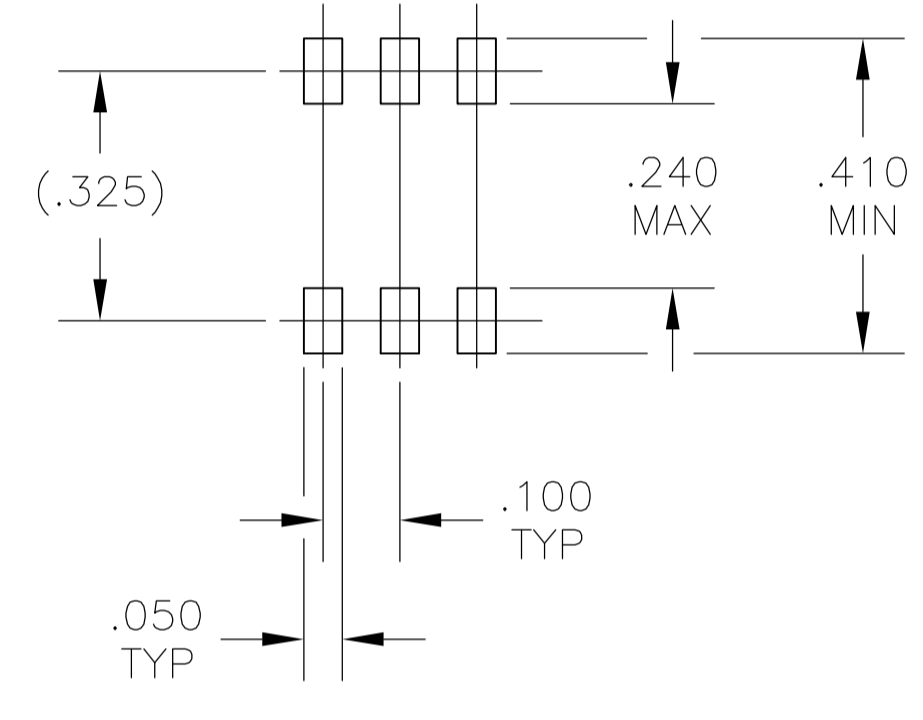
DRW  
PC MOUNT



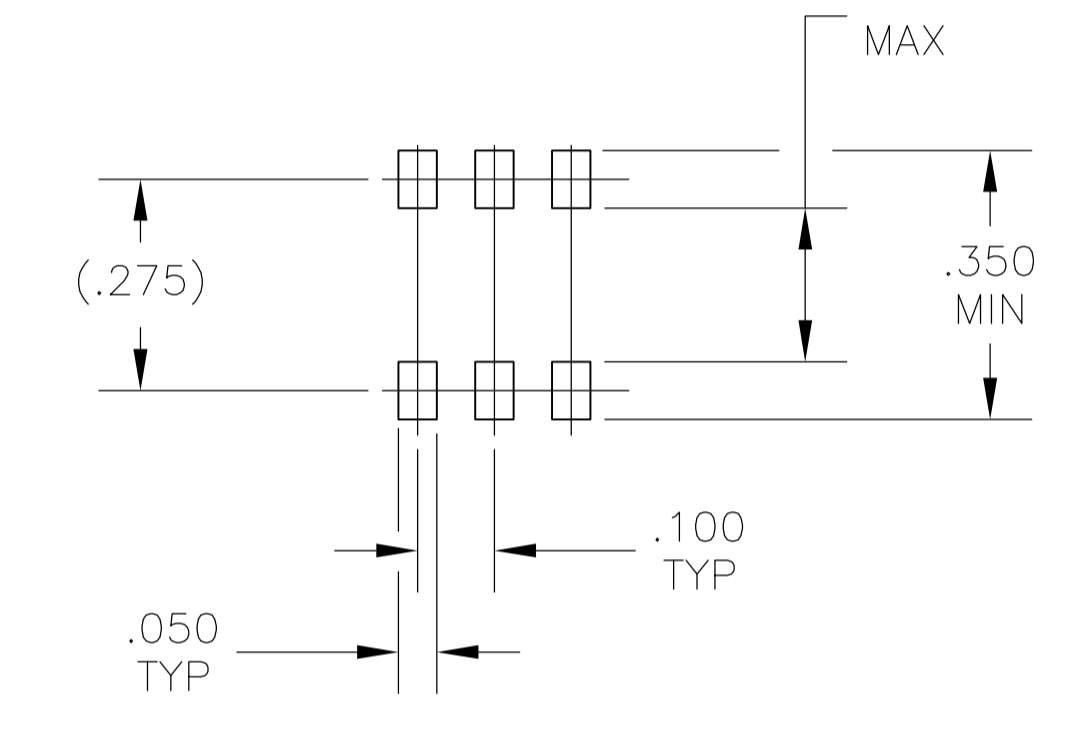
'S' STYLE VERTICAL



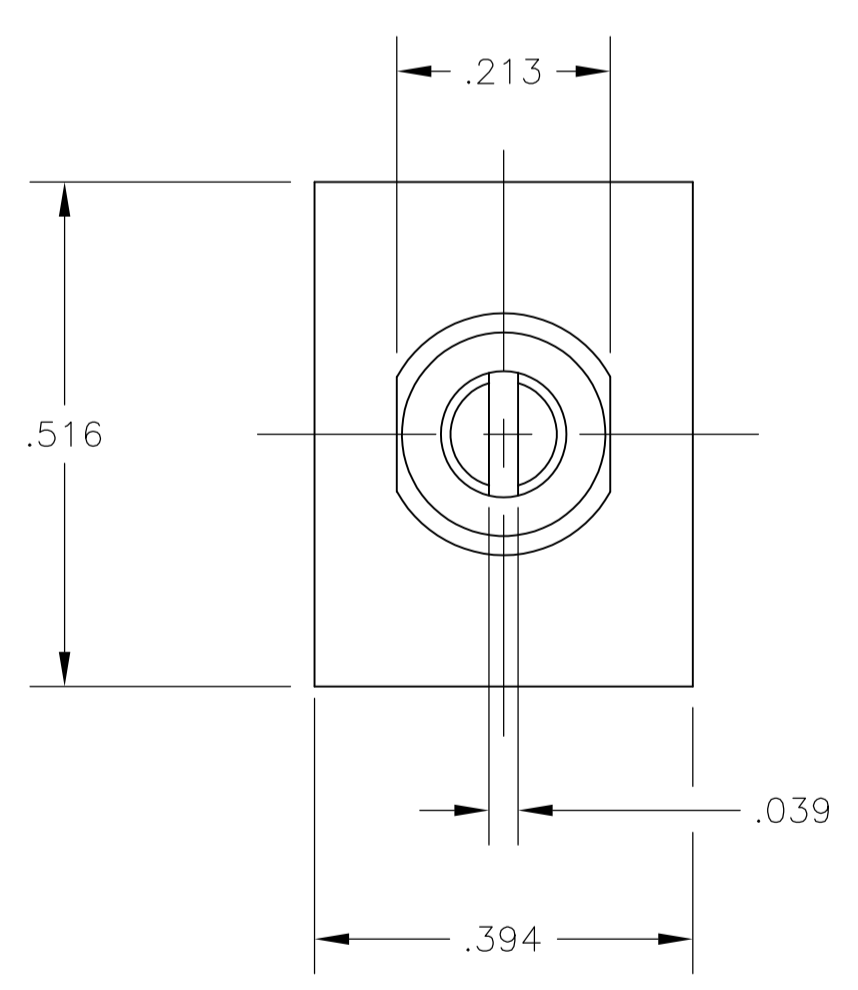
PC



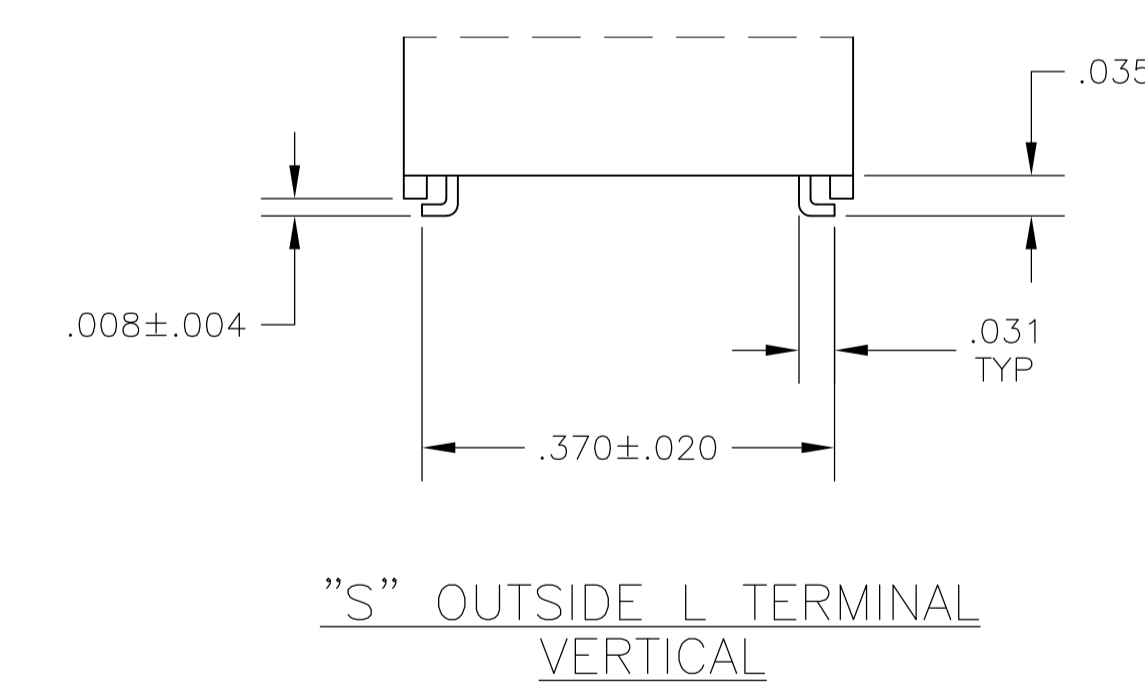
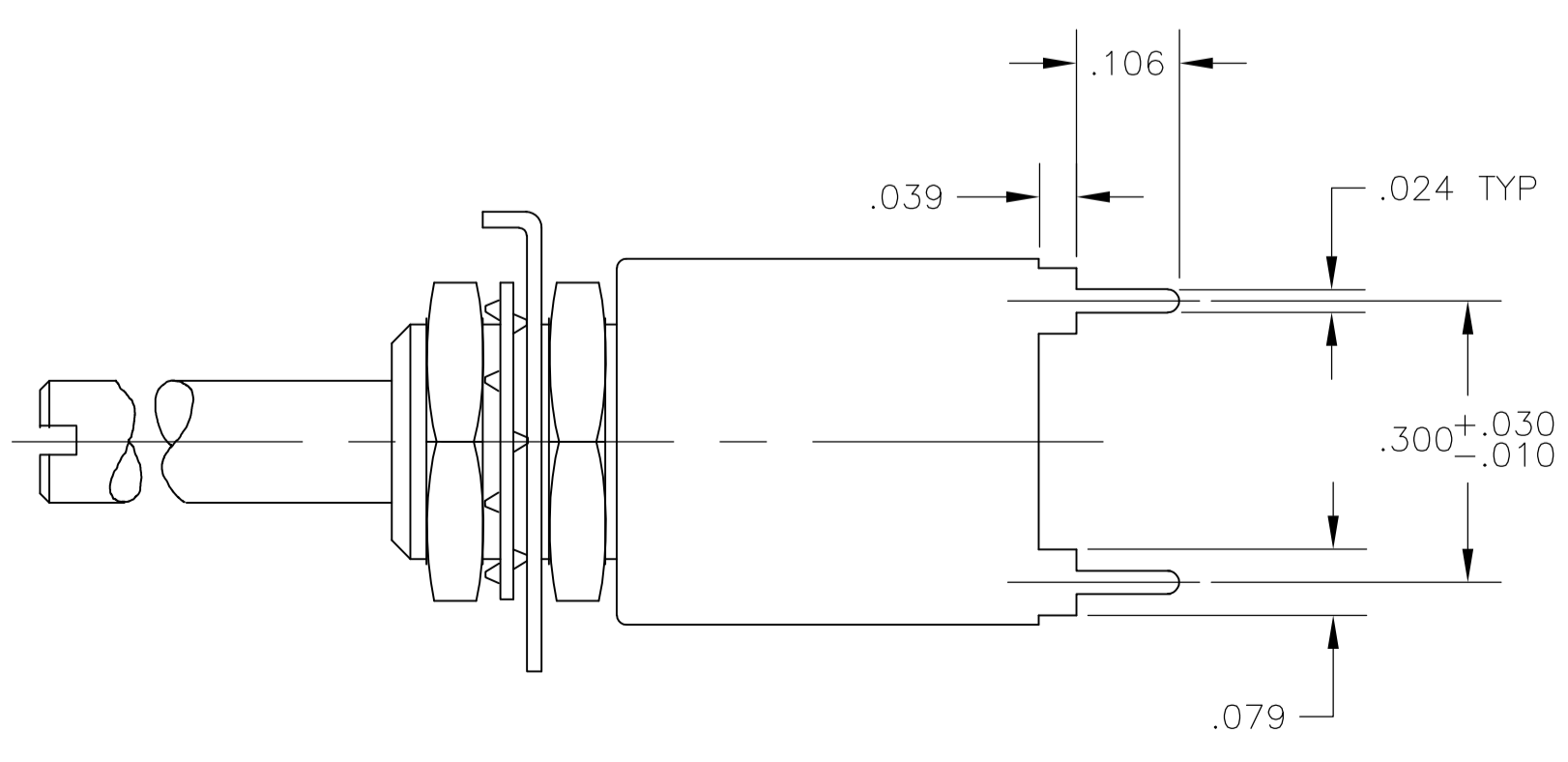
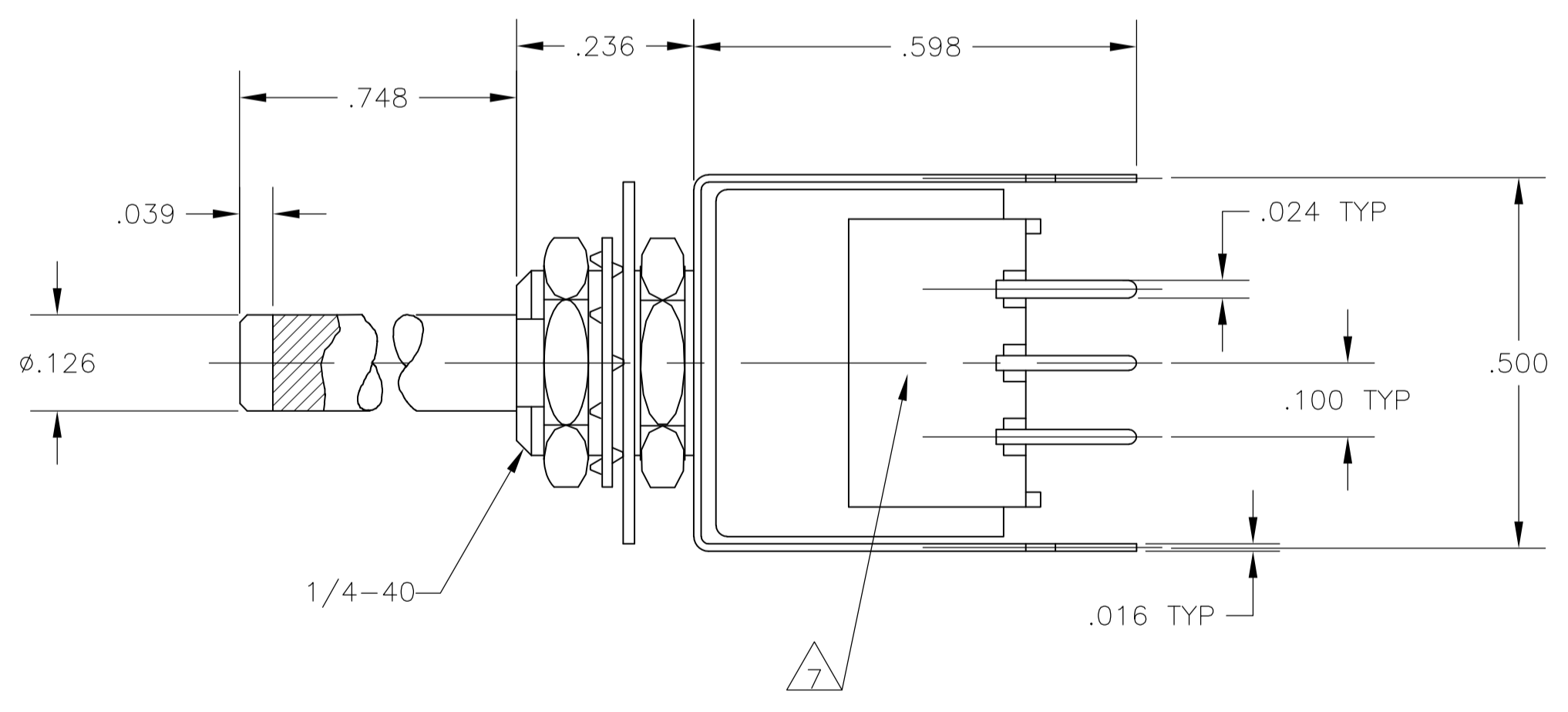
OUTSIDE "L"



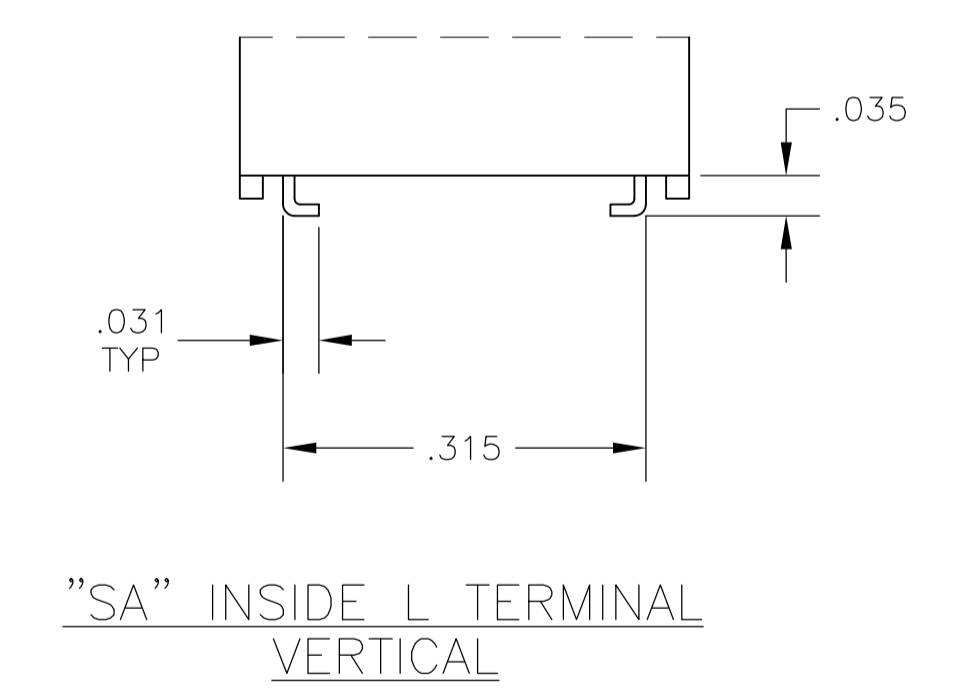
INSIDE "L"



DRS  
'S' STYLE VERTICAL



'S' OUTSIDE L TERMINAL  
VERTICAL



'SA' INSIDE L TERMINAL  
VERTICAL

THIS DRAWING IS A CONTROLLED DOCUMENT.		DIN BSV	20JUN05	Tyco Electronics Tyco Electronics Corporation Harrisburg, Pa 17105-3608	
DIMENSIONS: INCHES	TOLERANCES UNLESS OTHERWISE SPECIFIED:	CHK MSS	NAME	ROTARY DIP SWITCH	
	0. PLC ± -	APVD	PRODUCT SPEC	RESTRICTED TO	
	1. PLC ± -		APPLICATION SPEC		
	2. PLC ± -		SIZE	CAGE CODE	DRAWING NO
	3. PLC ± .010		WEIGHT	A1	00779
	4. PLC ± ± 1°		CUSTOMER DRAWING	SCALE	4:1
MATERIAL	FINISH			SHEET	2 OF 2
				REV	A2