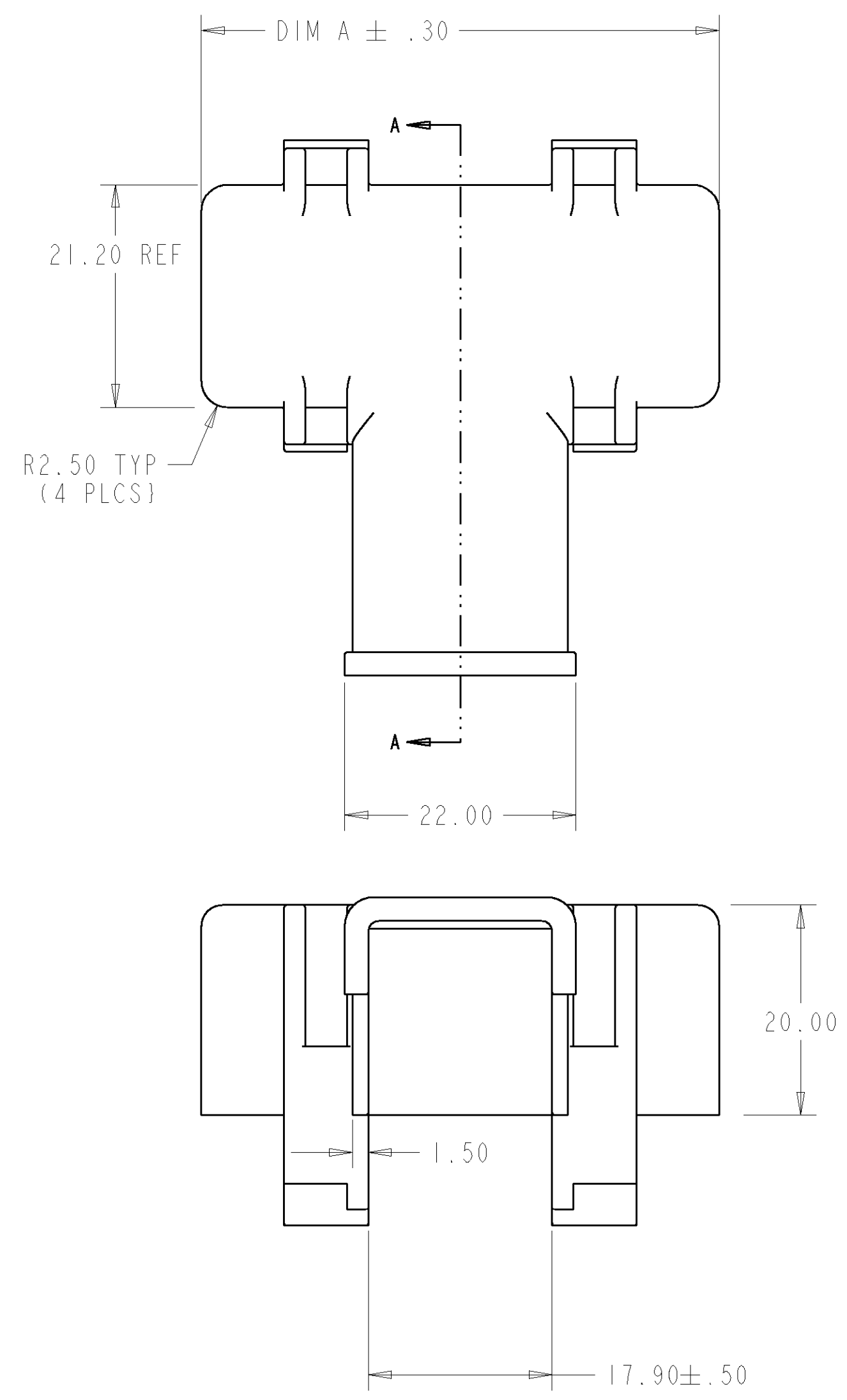


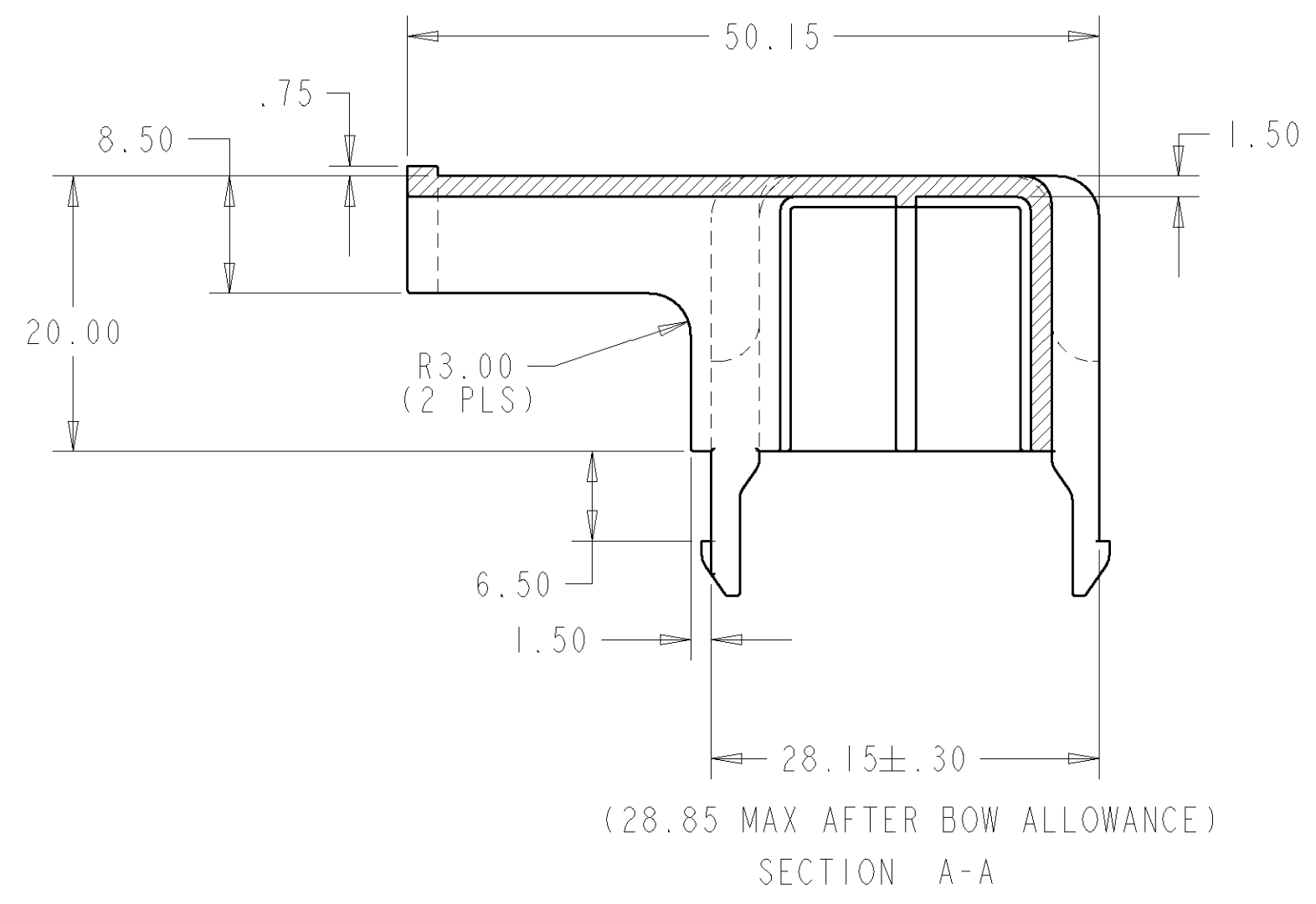
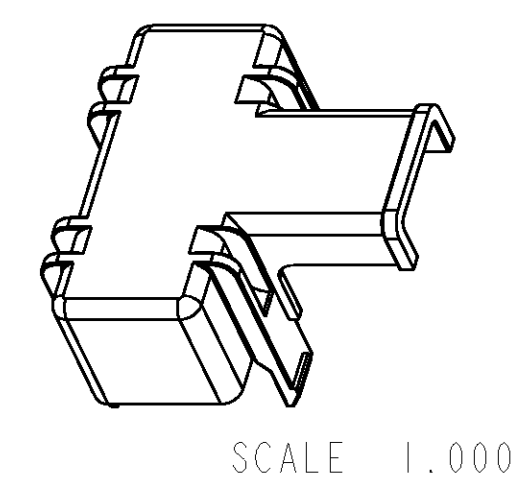
THIS DRAWING IS UNPUBLISHED. RELEASED FOR PUBLICATION 20
 © COPYRIGHT 20 BY TYCO ELECTRONICS CORPORATION. ALL RIGHTS RESERVED.

LOC	DIST	REVISIONS					
		P	LTR	DESCRIPTION	DATE	DWN	APVD
HK	00		99	REDRAWN ON TYCO FORMAT	20JUN2001	RAH	RAH



NOTES:
 1. ALL DIMENSIONS ARE IN MILLIMETERS.
 2. MATERIAL: ZYTEL 71G-13L. COLOR - BLACK.

TYCO NO.	T&B NO.	DIM A
4-1437287-8	13002622401	39, 20
4-1437287-9	13002623201	49, 20



<small>THIS DRAWING IS A CONTROLLED DOCUMENT FOR TYCO ELECTRONICS CORPORATION. IT IS SUBJECT TO CHANGE AND THE CONTROLLING ENGINEERING ORGANIZATION SHOULD BE CONTACTED FOR THE LATEST REVISION.</small>		DWN R. HARDISON 20JUN2001 CHK R. HARDISON 20JUN2001 APVD R. HARDISON 20JUN2001	tyco Tyco Electronics Electronics Harrisburg, PA 17105-3608
DIMENSIONS: mm 	TOLERANCES UNLESS OTHERWISE SPECIFIED: 0 PLC ±1 1 PLC ±.5 2 PLC ±.2 3 PLC ±.1 4 PLC ±.05 ANGLES ±2 FINISH -	PRODUCT SPEC - APPLICATION SPEC - WEIGHT -	NAME ROUTING COVER 90 DEG. EXIT 24 AND 32 POS. SOCKET SIZE A2 CAGE CODE 00779 DRAWING NO. 1456321 RESTRICTED TO -
MATERIAL ZYTEL		CUSTOMER DRAWING	SCALE NONE SHEET 1 OF 1 REV 99