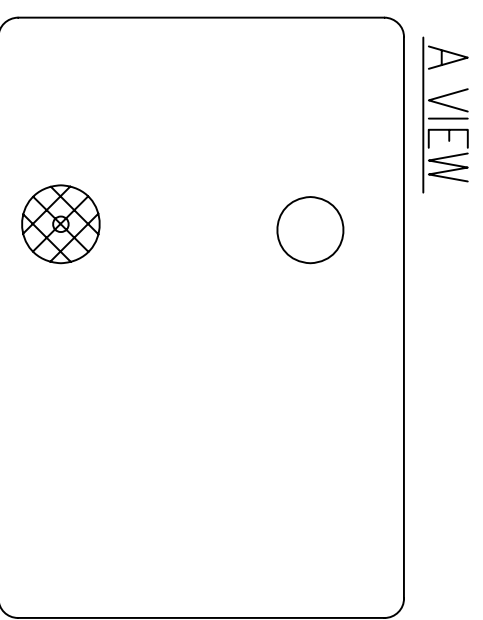
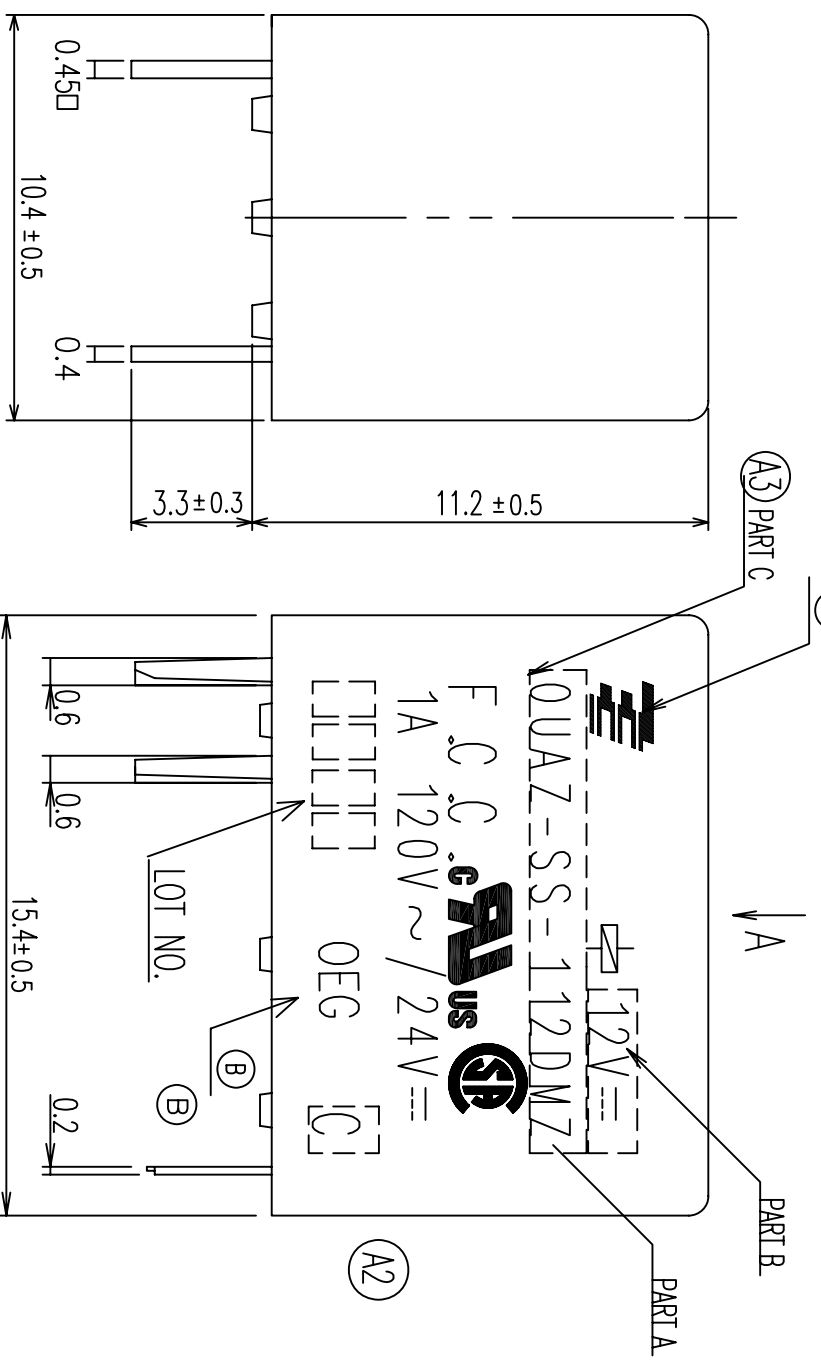
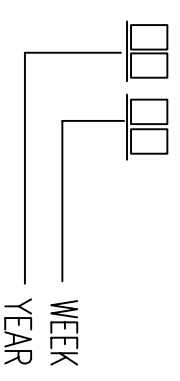


LOC	DIST	REVISIONS						
HB		P	LTR	DESCRIPTION	ECN	DATE	DWN	APVD
			A3	ADD TYPE	ECO-07-025262	05-Nov-07	SZ.L	YBH
			B	CHANGE DATE CODE AND IE LOGO	ECO-08-007865	13-APR-08	CV.Z	YBH

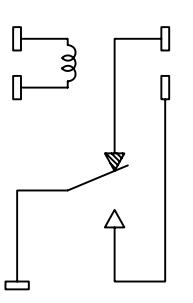


(B) NOTES:

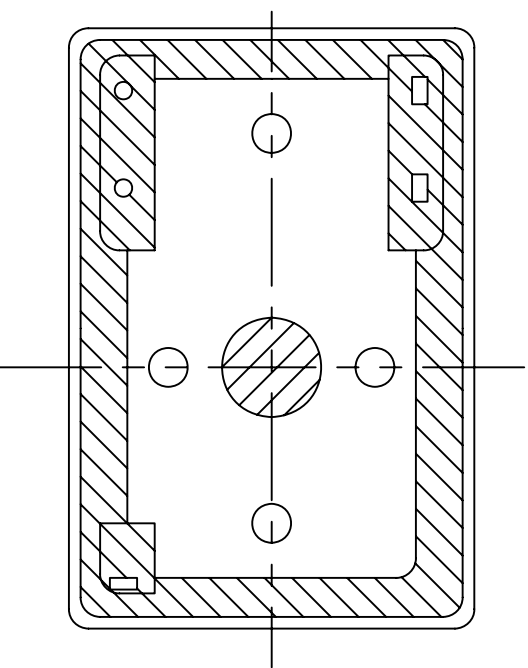
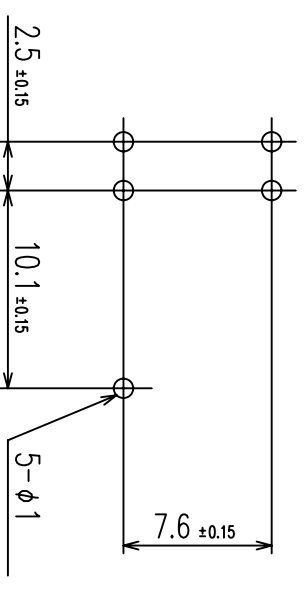
1. LOT NO. SYSTEM AS FOLLOWING:



WIRING DIAGRAM



PCB LAYOUT (GENERAL TOLERANCE ± 0.15)

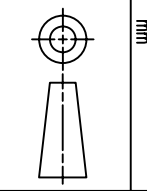


GENERAL TOLERANCE:

Diagram Dimension	Tolerance
0.99mm,max	±0.1mm
1-2.99mm	±0.2mm
3mm min	±0.3mm

THIS DRAWING IS A CONTROLLED DOCUMENT FOR TYCO ELECTRONICS CORPORATION
 IT IS SUBJECT TO CHANGE AND THE CONTROLLING ENGINEERING ORGANIZATION
 SHOULD BE CONTACTED FOR THE LATEST REVISION.

TOLERANCES UNLESS OTHERWISE SPECIFIED:



0 PIC	±
1 PIC	±
2 PIC	±
3 PIC	±
4 PIC	±
ANGLES	±

DWN Steven Zhou		Tyco Electronics		Tyco Electronics Corporation	
CHK Banghua, Yu		NAME		Shenzhen, China	
APVD Sunny Zhang		PRODUCT SPEC		OUAZ D/L STANDARD CUSTOMER DRAWING	
APPLICATION SPEC		SEE RELAY TYPE			
WEIGHT		SIZE		RESTRICTED TO	
CUSTOMER DRAWING		A3		-	
		CAGE CODE		DRAWING NO	
		00779		1461015	
		SCALE		SHEET	
		5:1		1 OF 2	
		REV		B	

THIS DRAWING IS UNPUBLISHED.
 © COPYRIGHT BY TYCO ELECTRONICS CORPORATION. ALL RIGHTS RESERVED.

RELEASED FOR PUBLICATION

LOC	DIST	REVISIONS						
HB		P	LTR	DESCRIPTION	EN	DATE	DWN	APVD

(A3)

MARKING	TE PART NO	DESCRIPTION	PART B	PART A	TYPE
NONE	1461015-6	OUAZ-SH-118L 900	18V	OUAZ-SH-118L	x
MARKING	4-1419145-8	OUAZ-SH-124L 900	24V	OUAZ-SH-124L	w
MARKING	6-1419130-5	OUAZ-SH-112L 900	12V	OUAZ-SH-112L	v
MARKING	4-1419145-6	OUAZ-SH-109L 900	9V	OUAZ-SH-109L	u
MARKING	4-1419145-3	OUAZ-SH-106L 900	6V	OUAZ-SH-106L	t
MARKING	4-1419145-0	OUAZ-SH-105L 900	5V	OUAZ-SH-105L	s
MARKING	4-1419130-0	OUAZ-SH-103L 900	3V	OUAZ-SH-103L	r
MARKING	1461015-4	OUAZ-SH-124D 900	24V	OUAZ-SH-124D	q
MARKING	5-1419130-6	OUAZ-SH-112D 900	12V	OUAZ-SH-112D	p
MARKING	1461015-3	OUAZ-SH-109D 900	9V	OUAZ-SH-109D	o
MARKING	1461015-2	OUAZ-SH-106D 900	6V	OUAZ-SH-106D	n
MARKING	3-1419145-9	OUAZ-SH-105D 900	5V	OUAZ-SH-105D	m
MARKING	1461015-5	OUAZ-SH-103D 900	3V	OUAZ-SH-103D	l

MARKING	1-1419131-1	OUAZ-SS-124L 900	24V	OUAZ-SS-124L	k
MARKING	1419131-5	OUAZ-SS-112L 900	12V	OUAZ-SS-112L	j
MARKING	9-1419130-8	OUAZ-SS-109L 900	9V	OUAZ-SS-109L	i
MARKING	5-1419145-4	OUAZ-SS-106L 900	6V	OUAZ-SS-106L	h
MARKING	8-1419130-6	OUAZ-SS-105L 900	5V	OUAZ-SS-105L	g
MARKING	1461015-1	OUAZ-SS-124D 900	24V	OUAZ-SS-124D	f
MARKING	5-1419145-7	OUAZ-SS-112D 900	12V	OUAZ-SS-112D	e
MARKING	9-1419130-3	OUAZ-SS-109D 900	9V	OUAZ-SS-109D	d
MARKING	5-1419145-2	OUAZ-SS-106D 900	6V	OUAZ-SS-106D	c
MARKING	8-1419130-3	OUAZ-SS-105D 900	5V	OUAZ-SS-105D	b
MARKING	5-1419145-0	OUAZ-SS-103D 900	3V	OUAZ-SS-103D	a

RELAY TYPE

UV RESIN	UV SEAL:3056C(VENT HOLE)	12
EPOXY RESIN	SEAL:2212E	11
POLYURETHANE COPPER WIRE	MAGNETIC WIRE	10
PBT	CASE	9
Cu ALLOY	MOVABLE SPRING	8
Cu ALLOY	B TERMINAL	7
Cu ALLOY	M TERMINAL	6
STEEL	ARMATURE	5
STEEL	CORE	4
STEEL	YOKE	3
C.P WIRE	COIL TERMINAL	2
PBT	BOBBIN	1
MATERIAL	DESCRIPTION	ITEM

THIS DRAWING IS A CONTROLLED DOCUMENT FOR TYCO ELECTRONICS CORPORATION. IT IS SUBJECT TO CHANGE AND THE CONTROLLING ENGINEERING ORGANIZATION SHOULD BE CONTACTED FOR THE LATEST REVISION.

Tyco Electronics
ShenZhen, China

OUAZ D/L STANDARD CUSTOMER DRAWING

APVD: _____
 PRODUCT SPEC: _____
 APPLICATION SPEC: _____
 WEIGHT: _____
 CUSTOMER DRAWING

SIZE: A3
 CAGE CODE: 00779
 DRAWING NO: 1461015

RESTRICTED TO: _____

SCALE: _____ SHEET: 2 OF 2 REV: B