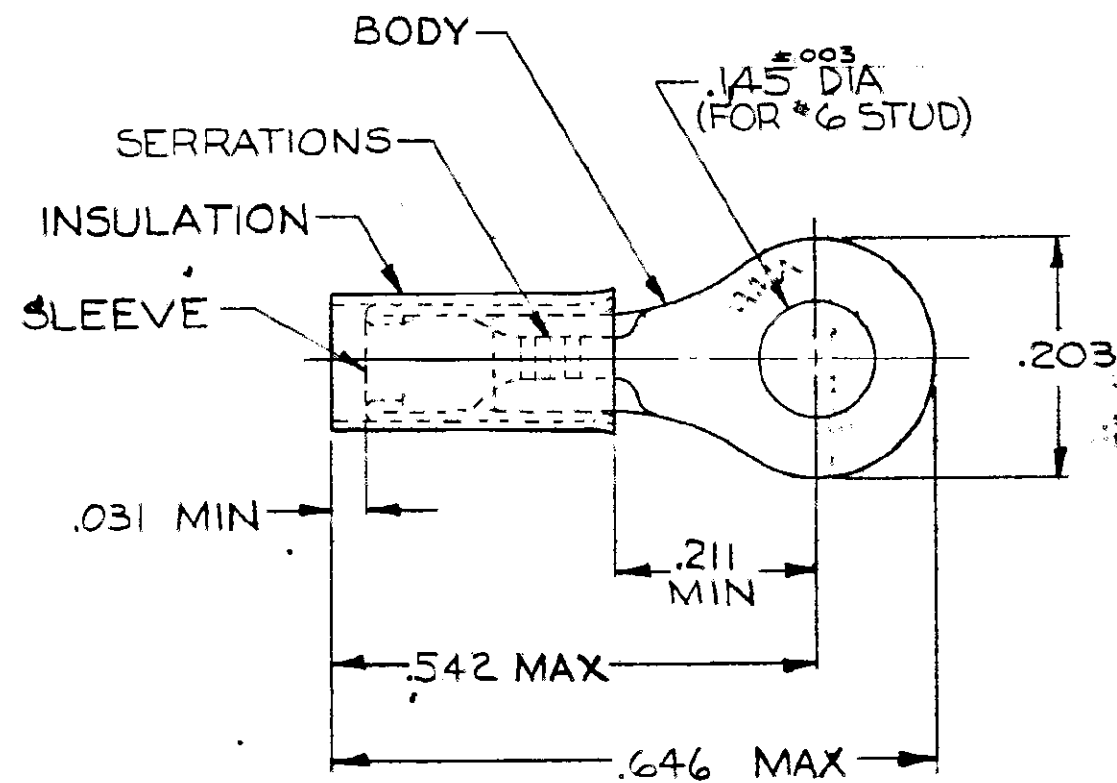


© 1956 BY AMP INCORPORATED. ALL RIGHTS RESERVED. AMP PRODUCTS COVERED BY PATENTS AND/OR PATENTS PENDING.

REVISIONS				
ZONE	LTR	DESCRIPTION	DATE	APPROVED
	D	REDRAWN & ADDED TAPE NOS	4-15-69	JHW
	E	INACTIVATED 2-323915-1 & 2-323915-3 P. 0095	10-22-69	FCY
	F	REVISED B-630	1-5-70	FCY
	G	REVISED F-530	4-14-71	FCY
	H	OBSOLETE 2-1, 2-3 P. 9224	3-30-82	DJM
	J	REV/0720-0060-93	4-7-93	TQ/me
	K	REV/0720-0835-95	3-29-96	ME/TM



FOR .050 TO .082 WIRE INSULATION DIA
TONGUE MATERIAL THK = .018 ± .002

TABLE I

QTY	DESCRIPTION	PART NO.	MATERIAL & FINISH
100	LOOSE PC. BOX	8-323915-1	BODY: COPPER (ASTM B 152) FINISH: SEE TABLE II
4000	ON TAPE REEL	2-323915-2	SLEEVE: COPPER (QQ-C-576) TIN PL. (MIL-T-10727)
1	WIRE TERMINAL	323915	INSULATION: YELLOW NYLON (MIL-M-20693) TYPE I

UNLESS OTHERWISE SPECIFIED DIMENSIONS ARE IN INCHES TOLERANCES ON: DECIMALS : .008 ANGLES : 5°	CONTRACT NO. #	AMP INCORPORATED HARRISBURG, PENNSYLVANIA
MATERIAL	DR. <i>FCY</i> 4-8-69	
SEE TABLE I	CHK. <i>KW</i> 2-8-69	
	APPD. <i>Young</i> 4-15-69	
	REL. <i>MC</i> 4-15-69	
	DSCN APPD.	NAME WIRE TERMINAL P.I.D.G - RING TONGUE WIRE SIZE: 26-22
	OTHER APPD.	SIZE B CODE IDENT NO. 00779 NUMBER 323915
		SCALE NTS SHEET 1 OF 1

TABLE II

PART NO.	FINISH	PT. NO. ON TAPE
8-323915-1	TIN PL (MIL-T-10727)	
2-323915-1	SILVER PL (QQ-S-365) .0005 MIN THK	2-323915-3
323915	TIN PL (MIL-T-10727)	2-323915-2

OBSOLETE