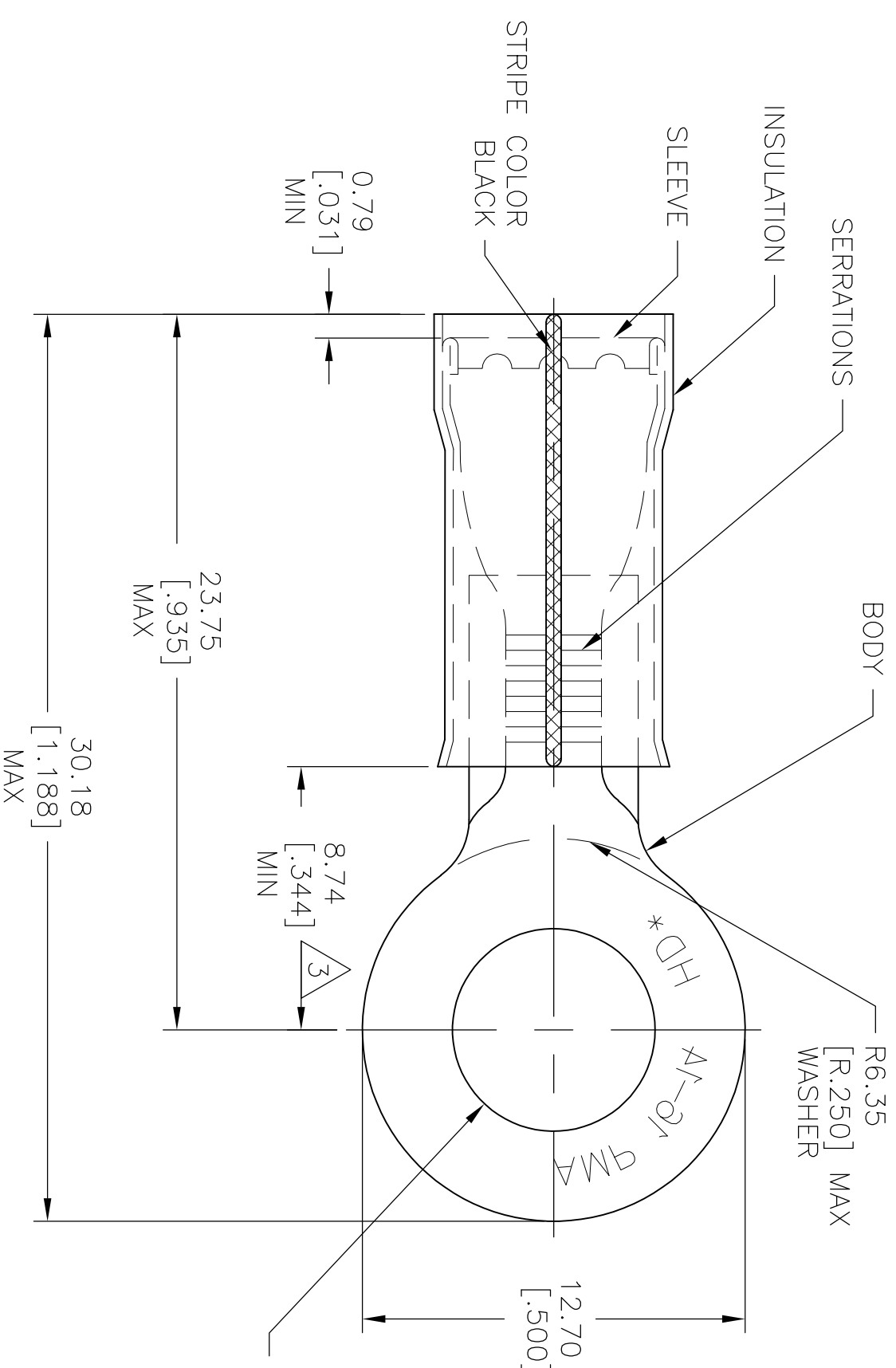


LOC	DIST	REVISIONS	DATE	DMN	APVD
G	14	P LTR			
E2		REVISED PER ECR-09-028661	07DEC09	JR	TM



- 1 FOR 3.81 [.150] TO 6.35 [.250] WIRE INSULATION DIA.
- 2 TONGUE MATERIAL THK: 1.22±0.05 [.048±.002].
- 3 APPLIES FROM THE METAL EDGE OF THE BARREL TO THE CENTER OF THE STUD

QTY	DESCRIPTION	MATERIAL & FINISH	PART NO
1	323682 ON TAPE	BODY: COPPER (ASTM-B152) TIN PL (ASTM-B545)	2-323682-1
1	WIRE TERMINAL	SLEEVE: COPPER (ASTM-B152) INSULATION: YELLOW NYLON	323682

THIS DRAWING IS A CONTROLLED DOCUMENT.

DIMENSIONS: mm [INCHES]	TOLERANCES UNLESS OTHERWISE SPECIFIED:	DMN RAGHAVENDRA 27AUG09	NAME Tyco Electronics Tyco Electronics Corporation Harrisburg, PA 17105-3608
0 PLC 1 PLC 2 PLC 3 PLC 4 PLC	± - ± - ± - ± 0.20 [.008] ± - ± 5°	CHK JEFF RUTH 27AUG09	TERMINAL, NYLON-PIDG - RING TONGUE WIRE SIZE: 16-14 HD
MATERIAL SEE TABLE	FINISH SEE TABLE	APVD TOM MICHELUTTI 27AUG09	SIZE A3
		PRODUCT SPEC	CAGE CODE 00779
		APPLICATION SPEC	DRAWING NO 323682
		WEIGHT	SCALE 5:1
		CUSTOMER DRAWING	SHEET 1 of 1
			REV E2