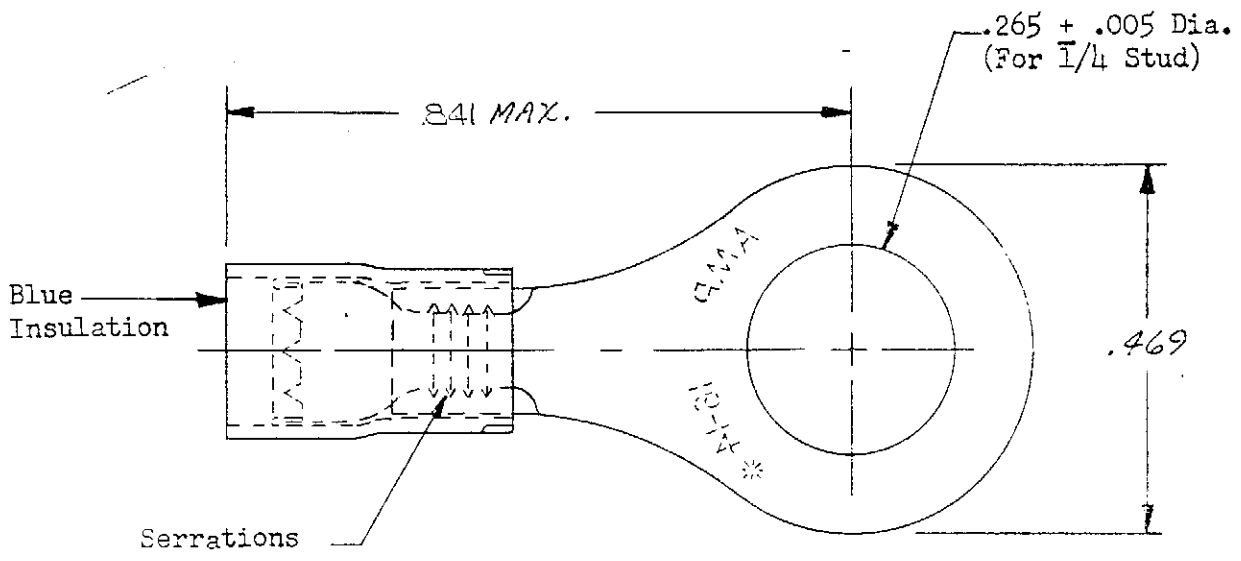


100	LOOSE PL, BOX	8-321045-1
50	LOOSE PL, BLS	8-321045-1
25	LOOSE PL, BLS	8-321045-5
5	LOOSE PL, BLS	7-321045-4

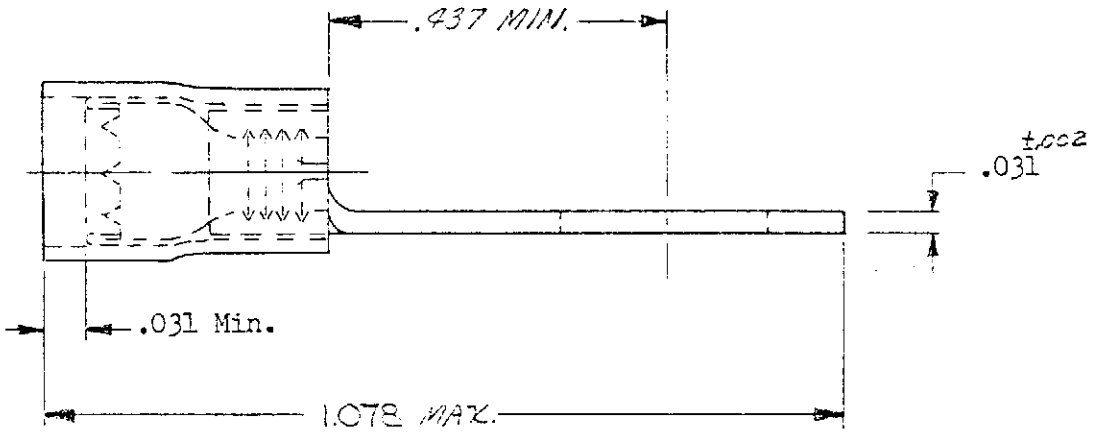
CATALOG NUMBER 321045

USED ON



△ SUPERSEDED BY 8-321045-1

TA. NO.	ALT.
1	
2	
3	
4	
5	
6	
7	
8	
9	
10	
11	
12	
13	
14	XD
15	
16	
17	
18	
19	
20	
21	
22	
23	
24	
25	



FOR .115 TO .170 INSULATION DIA. (WIRE)

COPYRIGHT IN U. S. A. 195 Z BY AMP INCORPORATED.
 COPYRIGHT UNDER INTERNATIONAL COPYRIGHT UNION. ALL RIGHTS
 RESERVED UNDER PAN-AMERICAN COPYRIGHT UNION (1910)

MATERIAL: Copper (ASTM B152)
 HEAT TREAT: Annealed

NOTE:
 PT. No. ON TAPE Z-321045-1

FINISH: EXCEPT AS NOTED: Hot Electro-Tinned
 TIN PL (MIL-T-10727)

CUSTOMER DRAWING

REV.	REVISIONS	DATE	BY	N.D.C.
H1	REV PER 06-007867	5/66	WJ	
H	REV PER 063A-0770-00	12/00	WJ	
G	REV/0720-0605-95	5-3-95	WJ	
F	REV/0720-0546-95	3-22-95	WJ	
E	REV/0720-0060-93	4-5-93	WJ	
D	REV PER ECN D-7000	7-25-71	WJ	P-7000
C	REVISED	4-9-70	WJ	B-630
B	REV PER ECN P-5857	11/10/67	WJ	
A	REV PER ECN P-5857	11/10/67	WJ	
I	Revised	7-6-61	WJ	

CLASS	RING TONGUE
TYPE	PRE-INSULATED DIAMOND GRIP (NYLON)
WIRE SIZE	16-14 (SHIP 2-4)
EXCEPT AS NOTED:	
TOLERANCES	SHOW FT. NO. IN AREA MARKED "X"
DECIMALS	BREAK ALL SHARP EDGES
ANGLES	
FRACTIONS	

AMP INCORPORATED
 HARRISBURG, PENNA.

DR.	DATE	D. E.
DR. E. L. WEIST	9-16-57	D. E.
CK. T. SILLBACHER	9-19-57	P. T. E.
REL. E. J. FINE	9-19-57	

SCALE	4-1
CATALOG NUMBER	321045
NUMBER	H1