

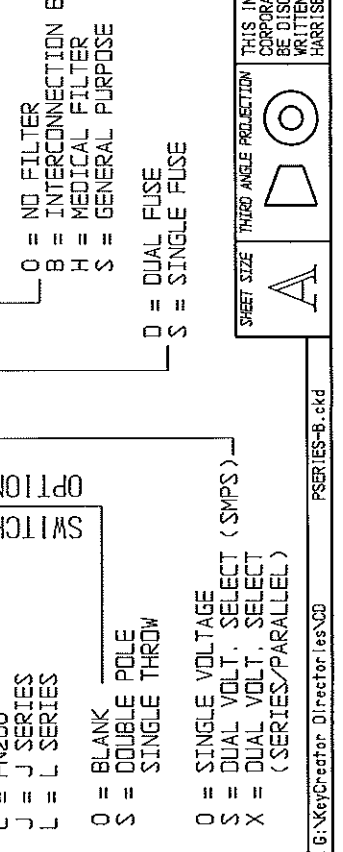
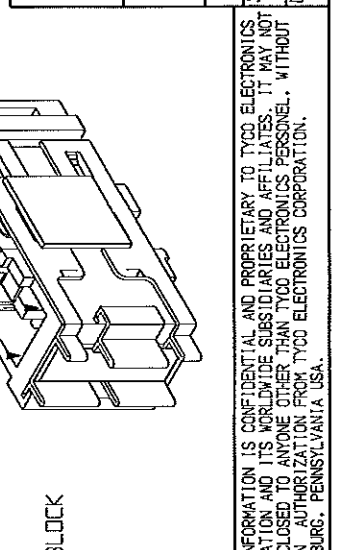
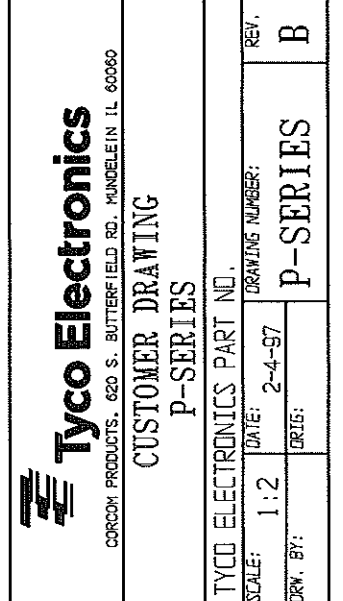
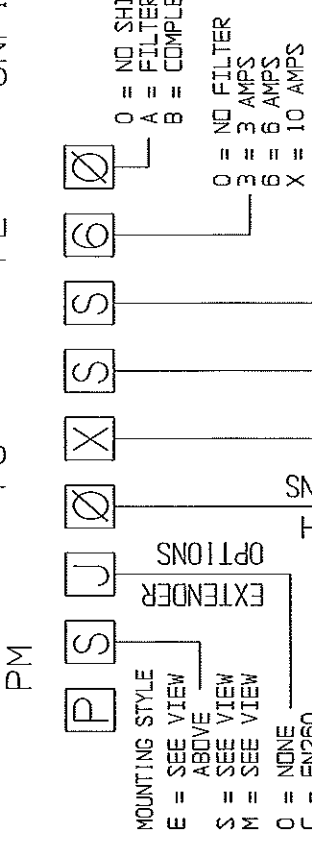
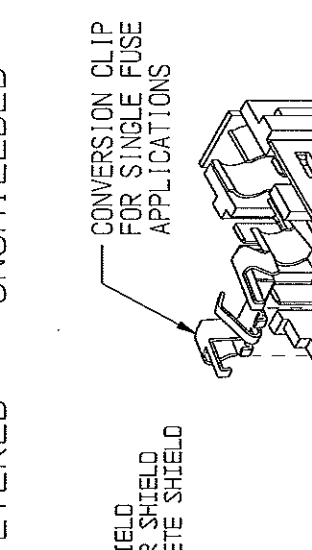
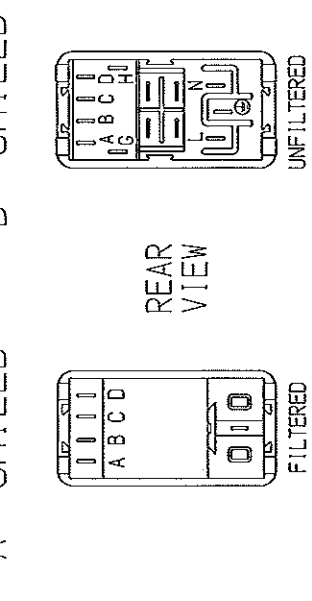
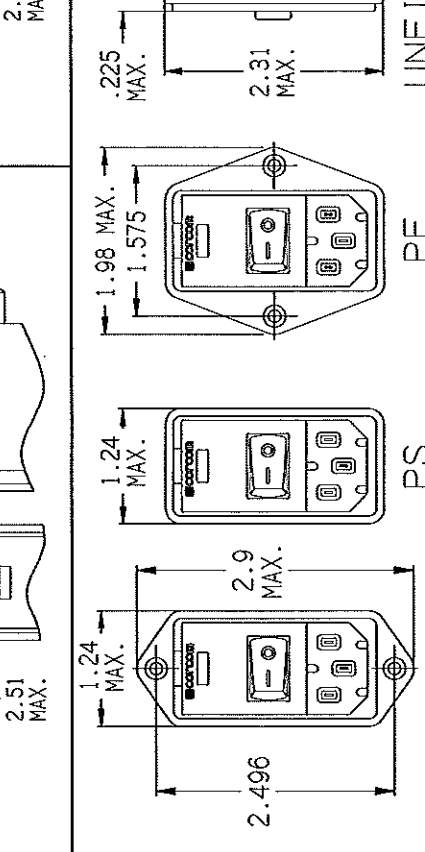
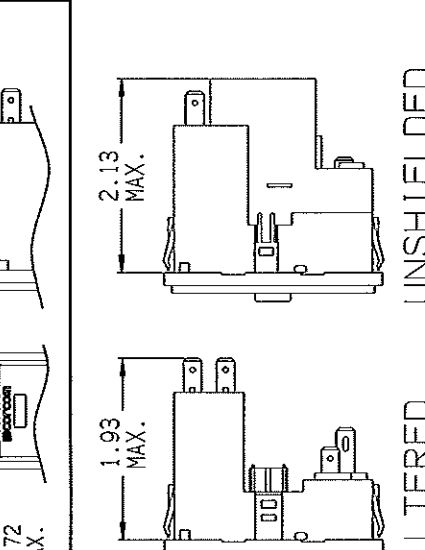
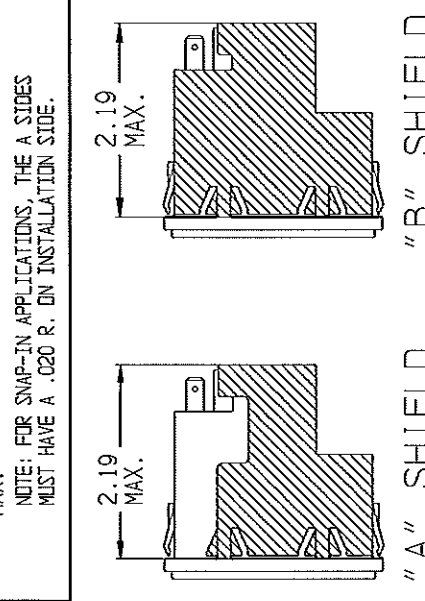
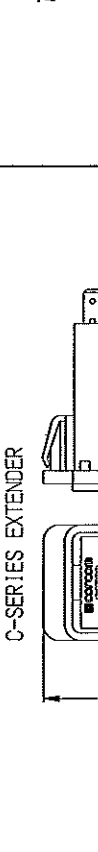
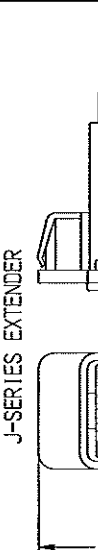
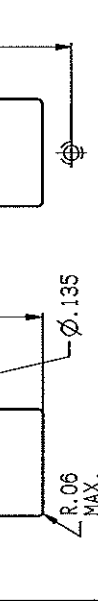
RECOMMENDED PANEL CUTOUTS

STYLE	DIMENSION 'A'		DIMENSION B	
	UNSHIELDED	SHIELDED	UNSHIELDED	SHIELDED
PS	1.06	1.12	2.201 *	2.201 *
PSL	1.12		2.201 *	2.201 *
PE	1.12	1.12	2.201 *	2.201 *
PM	1.06	1.12	2.13	2.13
PSC	1.06	1.12	2.52	2.52
PSJ	1.06	1.12	2.6	2.6

* FOR PANEL THICKNESS OF 0.031" - 0.079" ONLY.
 USE 2.213 FOR PANEL THICKNESS OF 0.083" - 0.114"

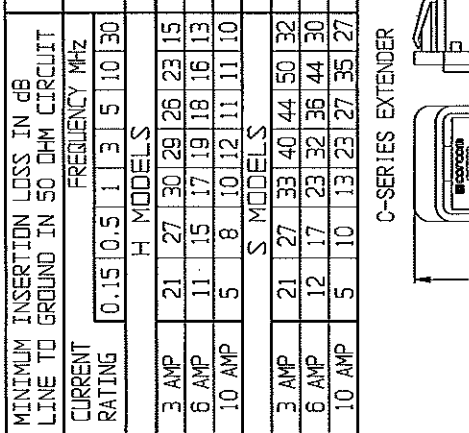
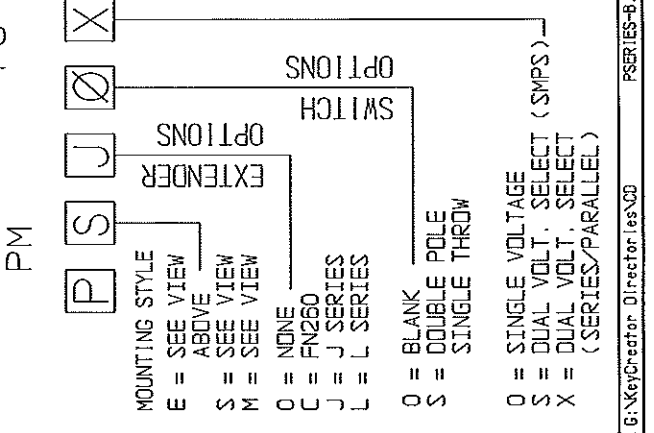
CURRENT RATING	MINIMUM INSERTION LOSS IN dB LINE TO GROUND IN 50 OHM CIRCUIT					FREQUENCY MHZ
	0.15	0.5	1	3	5	
3 AMP	21	27	30	29	26	23
6 AMP	11	15	17	19	18	16
10 AMP	5	8	10	12	11	11

CURRENT RATING	MINIMUM INSERTION LOSS IN dB LINE TO GROUND IN 50 OHM CIRCUIT					FREQUENCY MHZ
	0.15	0.5	1	3	5	
3 AMP	21	27	33	40	44	50
6 AMP	12	17	23	32	36	44
10 AMP	5	10	13	23	27	35



CURRENT RATING	MINIMUM INSERTION LOSS IN dB LINE TO GROUND IN 50 OHM CIRCUIT					FREQUENCY MHZ
	0.15	0.5	1	3	5	
3 AMP	21	27	30	29	26	23
6 AMP	11	15	17	19	18	16
10 AMP	5	8	10	12	11	11

CURRENT RATING	MINIMUM INSERTION LOSS IN dB LINE TO GROUND IN 50 OHM CIRCUIT					FREQUENCY MHZ
	0.15	0.5	1	3	5	
3 AMP	21	27	33	40	44	50
6 AMP	12	17	23	32	36	44
10 AMP	5	10	13	23	27	35



MOUNTING STYLE:
 E = SEE VIEW ABOVE
 S = SEE VIEW
 M = SEE VIEW
 O = NONE
 C = FN260
 J = J SERIES
 L = L SERIES

SWITCH OPTIONS:
 O = BLANK
 S = DOUBLE POLE SINGLE THROW

EXTENDER OPTIONS:
 O = SINGLE VOLTAGE
 S = DUAL VOLT. SELECT (SWPS)
 X = DUAL VOLT. SELECT (SERIES/PARALLEL)

THIRD ANGLE PROJECTION
 SHEET SIZE: A

THIS INFORMATION IS CONFIDENTIAL AND PROPRIETARY TO TYCO ELECTRONICS CORPORATION AND ITS WORLDWIDE SUBSIDIARIES AND AFFILIATES. IT MAY NOT BE DISCLOSED TO ANYONE OTHER THAN TYCO ELECTRONICS PERSONNEL, WITHOUT WRITTEN AUTHORIZATION FROM TYCO ELECTRONICS CORPORATION, HARRISBURG, PENNSYLVANIA, USA.

TYCO ELECTRONICS PART NO.
 SCALE: 1:2
 DATE: 2-4-97
 DRAWING NUMBER:
 P-SERIES
 REV. B

Tyco Electronics
 CORCOM PRODUCTS, 620 S. BUTTERFIELD RD., KUNDELEIN, IL 60060

6-KeyCreator Director es00 P-SERIES-B.ekd

SPECIFICATIONS - NONFILTERED MODELS

HIPOT RATING (ONE MINUTE)
 LINE TO GROUND: 1500 VAC
 LINE TO LINE: 1450 VDC
 OPERATING FREQUENCY: 50/60 Hz
 RATED VOLTAGE: 120/250 VAC
 RATED CURRENT: 10A @ 120 VAC
 10A @ 250 VAC

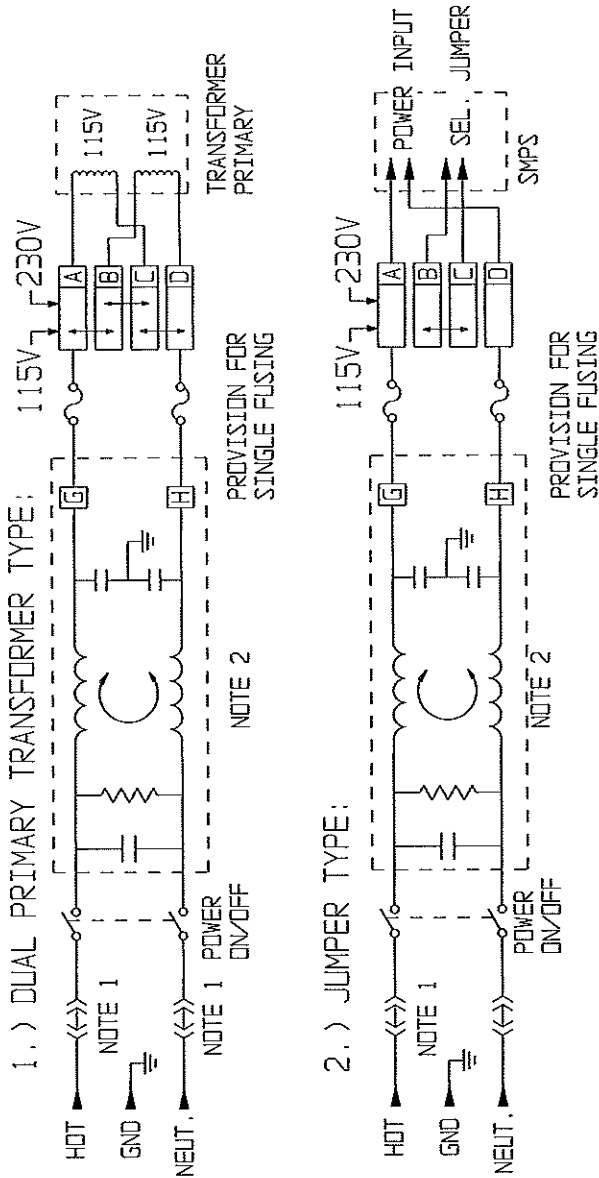
OPERATING VOLTAGES:
 SELECTABLE OR FIXED: 115/230 VAC
 FUSEHOLDER: ACCEPTS 1 OR 2 FUSES
 1/4" x 1-1/4" OR 5 x 20mm

SPECIFICATIONS - FILTERED MODELS

MAXIMUM LEAKAGE CURRENT, EACH LINE TO GROUND
 @ 120 VAC 60Hz: H MODELS 2µA
 S MODELS 0.25mA
 @ 250 VAC 50Hz: H MODELS 5µA
 S MODELS 0.50mA

HIPOT RATING (ONE MINUTE)
 LINE TO GROUND: 1500 VAC
 LINE TO LINE: 1450 VDC
 OPERATING FREQUENCY: 50/60 Hz
 RATED VOLTAGE: 120/250 VAC
 RATED CURRENT: 3, 6 & 10 AMP
 MODELS AVAILABLE

OPERATING VOLTAGES:
 SELECTABLE OR FIXED: 115/230 VAC
 FUSEHOLDER: ACCEPTS 1 OR 2 FUSES
 1/4" x 1-1/4" OR 5 x 20mm



NOTE 1: JUMPERS ARE REQUIRED IF A FILTER OR INTERCONNECTION MODULE IS NOT USED.
 NOTE 2: LOCATION OF OPTIONAL FILTER. JUMPERS ARE REQUIRED IF A FILTER OR INTERCONNECTION MODULE IS NOT USED.

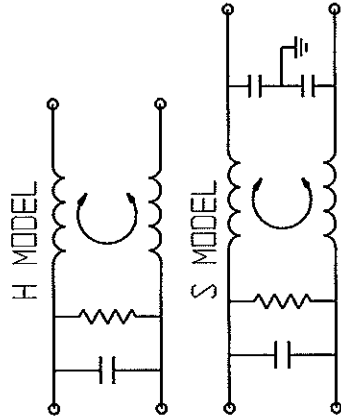
GENERAL NOTES:
 CONVERSION CLIP PROVIDED ON FUSEHOLDER FOR SINGLE FUSE MODELS.
 SWITCH: DOUBLE INSULATED RATED FOR 10,000 OPERATIONS AT FULL LOAD.
 51 AMP INRUSH CAPABILITY.
 TERMINALS: 0.187" x 0.032" FASTON TABS

SAFETY ORGANIZATIONS

THIS FILTER HAS BEEN FORMALLY RECOGNIZED, CERTIFIED OR APPROVED BY THE LISTED AGENCY, THEREFORE, ALL TEST/REQUIREMENTS SPECIFIED IN THE LATEST REVISION OF THE FOLLOWING AGENCY STANDARDS HAVE BEEN MET:



UL RECOGNIZED
 CSA CERTIFIED
 VDE APPROVED



SEE INDIVIDUAL CUSTOMER DRAWINGS FOR OTHER (L AND Z) P-SERIES VERSIONS.

THIS INFORMATION IS CONFIDENTIAL AND PROPRIETARY TO TYCO ELECTRONICS CORPORATION AND ITS WORLDWIDE SUBSIDIARIES AND AFFILIATES. IT MAY NOT BE DISCLOSED TO ANYONE OTHER THAN TYCO ELECTRONICS PERSONNEL, WITHOUT WRITTEN AUTHORIZATION FROM TYCO ELECTRONICS CORPORATION, HARRISBURG, PENNSYLVANIA, USA.



CORCORN PRODUCTS, 620 S. BUTTERFIELD RD., MUNDLEIN IL 60060

CUSTOMER DRAWING
 P-SERIES

TYCO ELECTRONICS PART NO.

SCALE: NA	DATE: 2/4/97	DRAWING NUMBER:	REV. B
DRW. BY:	DRIG:	P-SERIES	