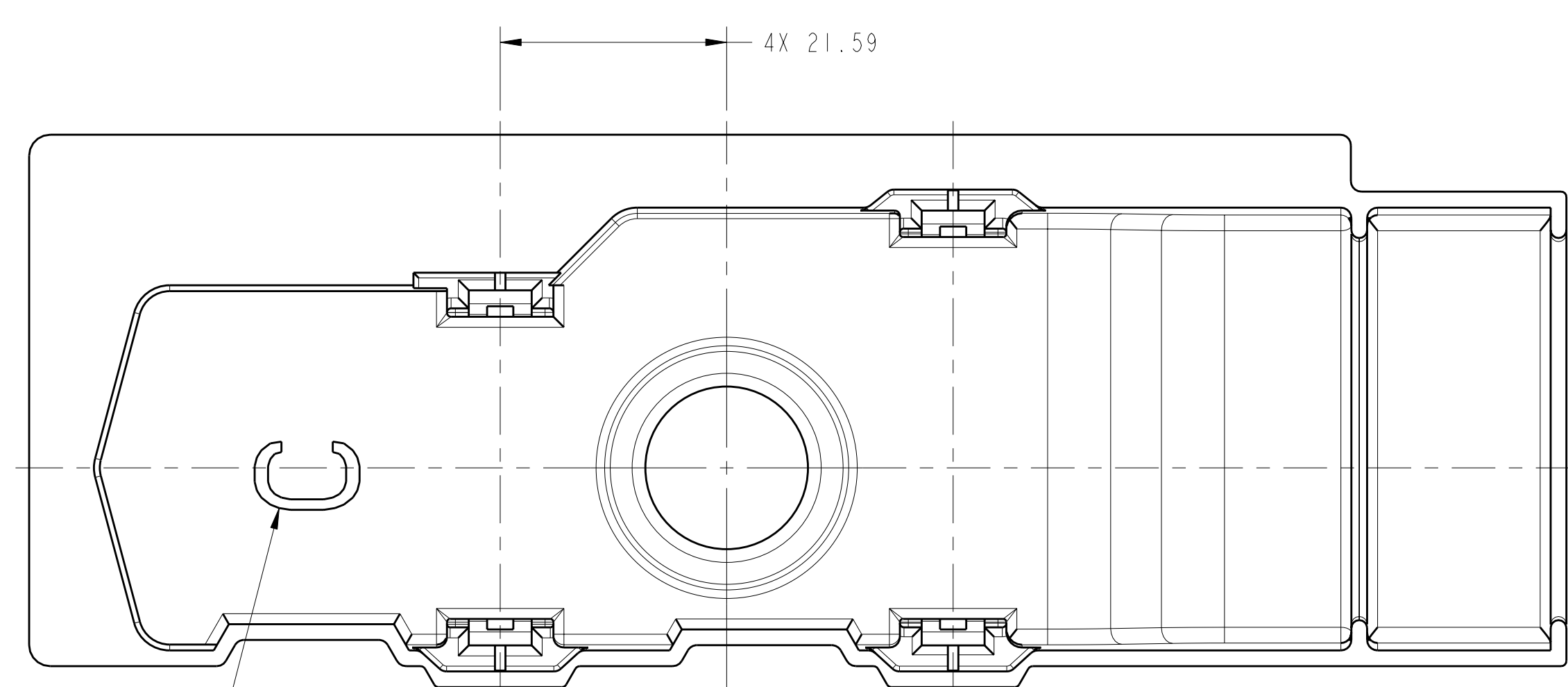
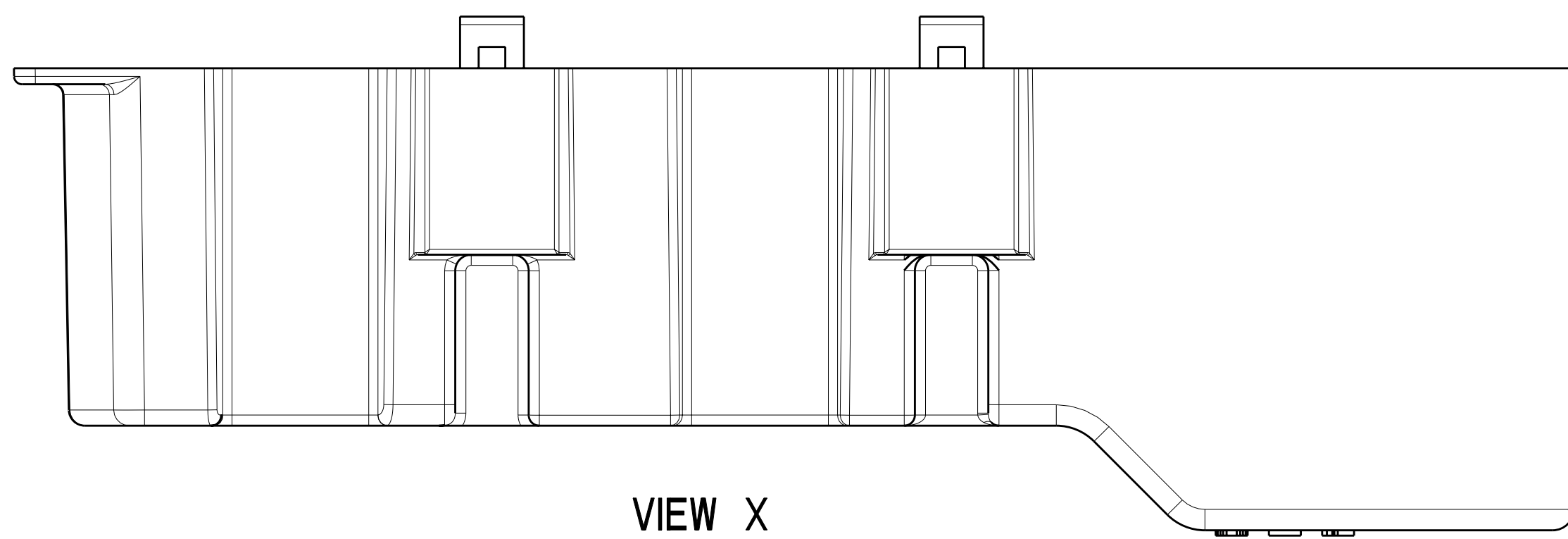
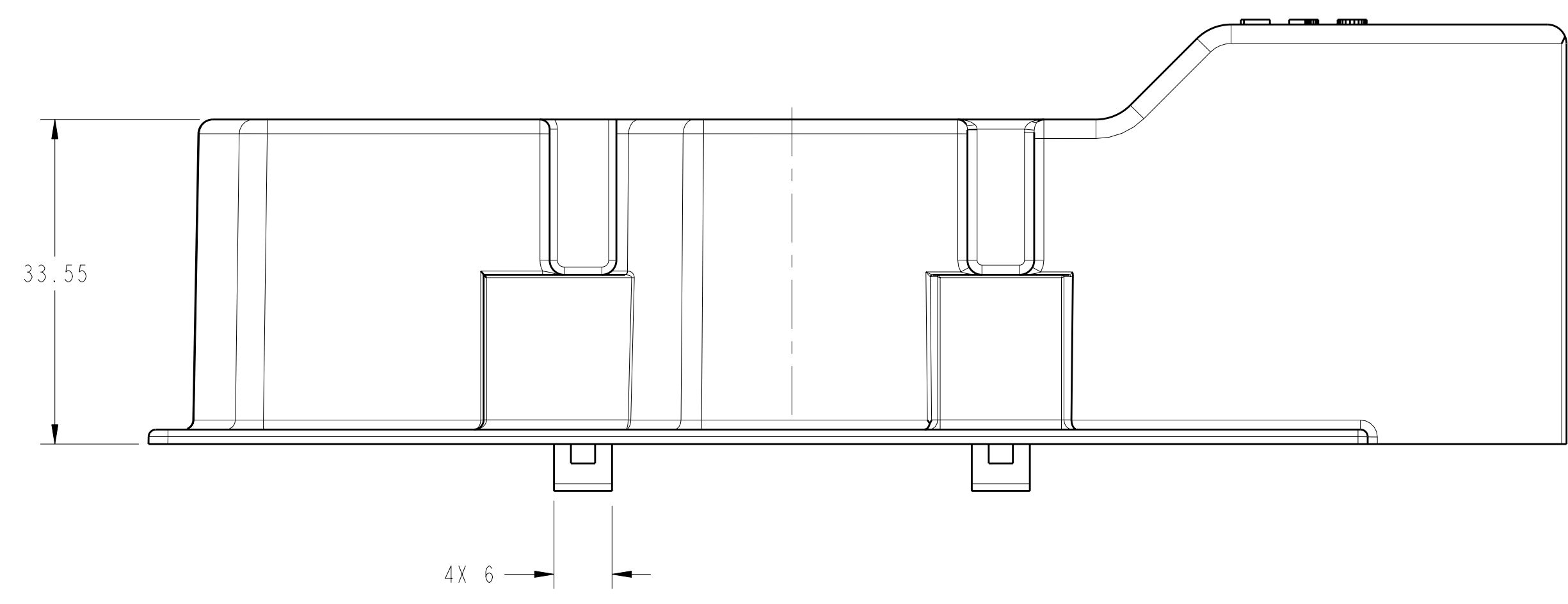
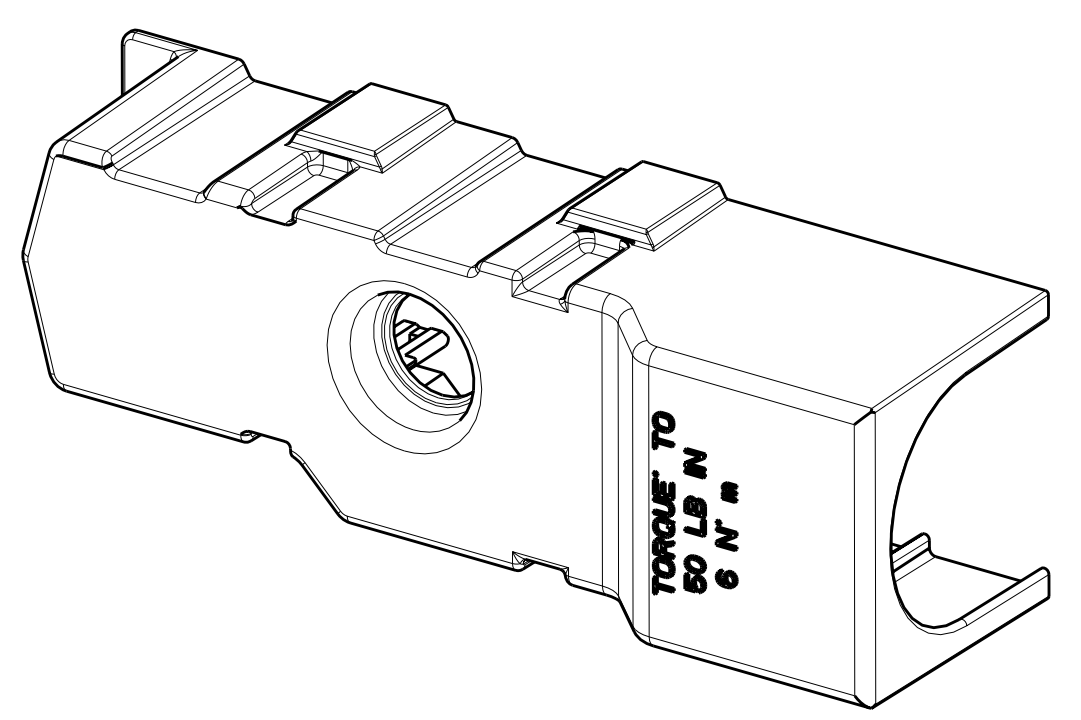
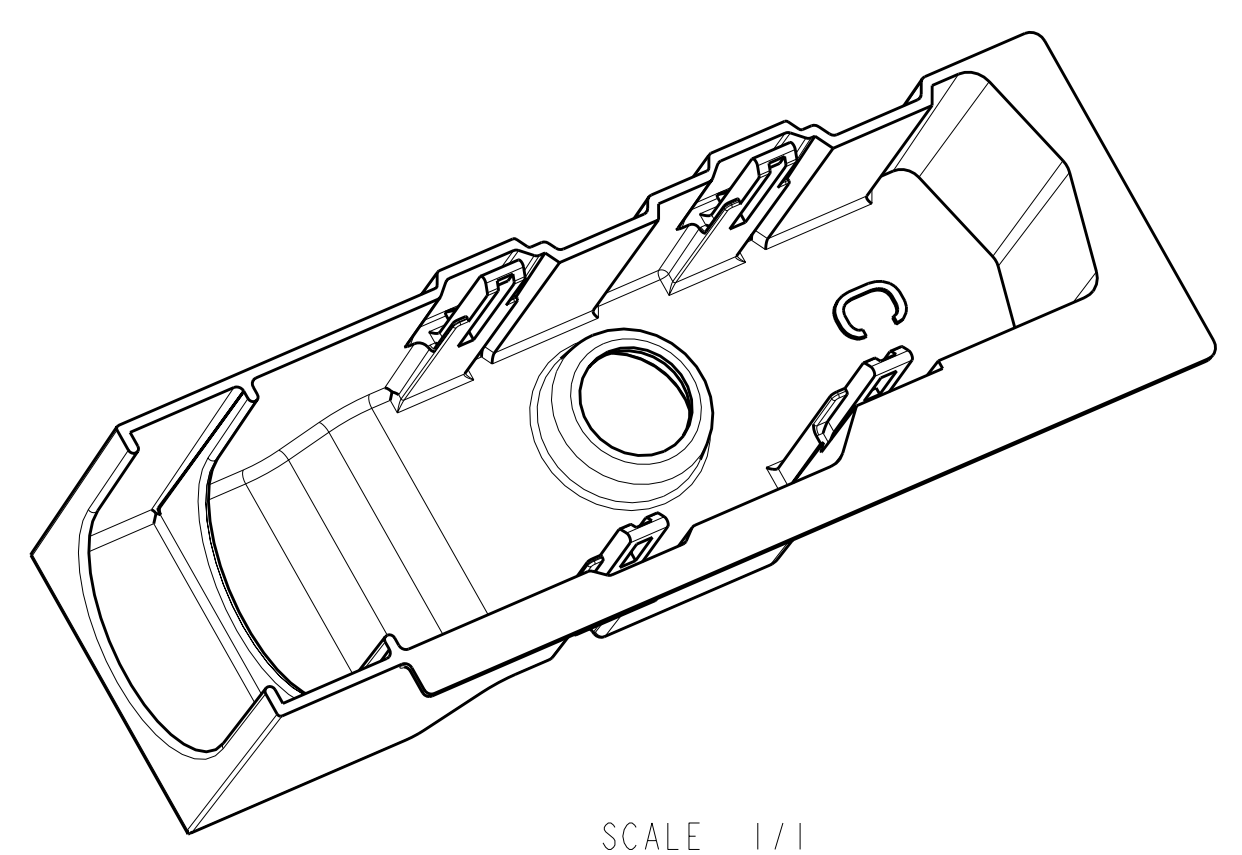
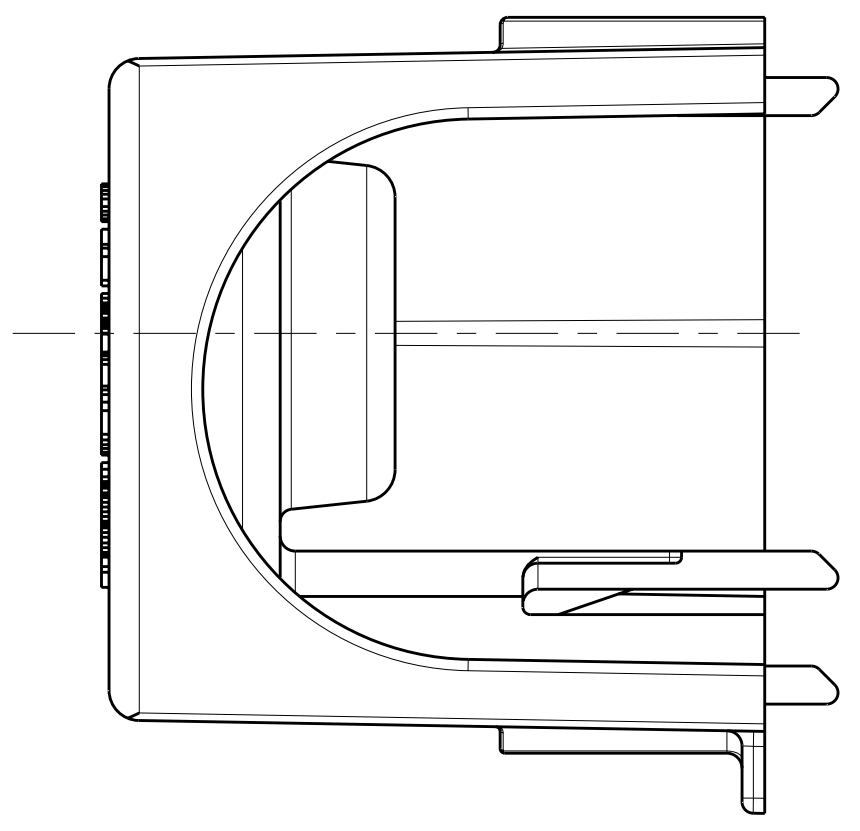
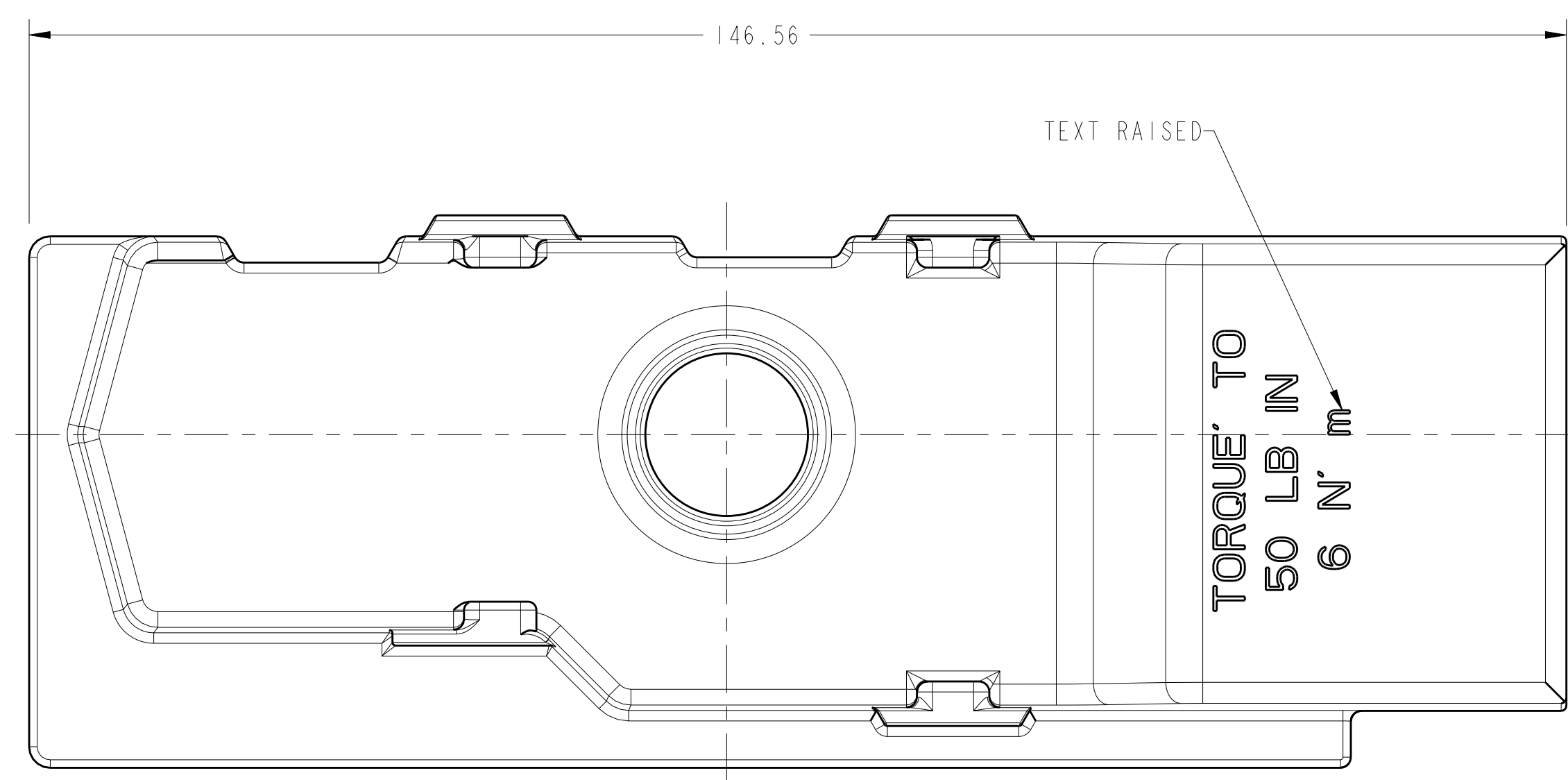


LOC		DIST		REVISIONS			
HK	00	P	LTB	DESCRIPTION	DATE	DWN	APVD
		A		INITIAL RELEASE: D08-054	18APR2008	VS	BB



VIEW X

VIEW X

MATERIAL: POLYPROPYLENE, COLOR: BLACK

107358	1827148C1	3-1437839-4
THOMAS AND BETTS P/N	NAVISTAR P/N	TE PART NUMBER

<small>THIS DRAWING IS UNPUBLISHED. RELEASED FOR PUBLICATION BY TYCO ELECTRONICS CORPORATION. ALL RIGHTS RESERVED. THIS IS SUBJECT TO CHANGE WITHOUT NOTICE AND WITHOUT OBLIGATION. SHOULD BE CONTACTED FOR THE LATEST REVISION.</small>		DWN S. VINAY 18APR2008 CHK B. BURKEPILLE 18APR2008 APVD B. BURKEPILLE 18APR2008	Tyco Electronics Harrisburg, PA 17105-3608
DIMENSIONS: mm 		TOLERANCES UNLESS OTHERWISE SPECIFIED: 9 PLC ±0.3 1 PLC ±0.3 3 PLC ±0.30 4 PLC ±0.300 ANGLES ±0.3000°	NAME COVER - WIRE DRESS NAVISTAR 60-WAY CONNECTOR
MATERIAL - FINISH -		PRODUCT SPEC - APPLICATION SPEC - WEIGHT - CUSTOMER DRAWING	SIZE CAGE CODE DRAWING NO RESTRICTED TO A 00779 C-3-1437839-4 -
		SCALE 2:1 SHEET 1 OF 1 REV A	