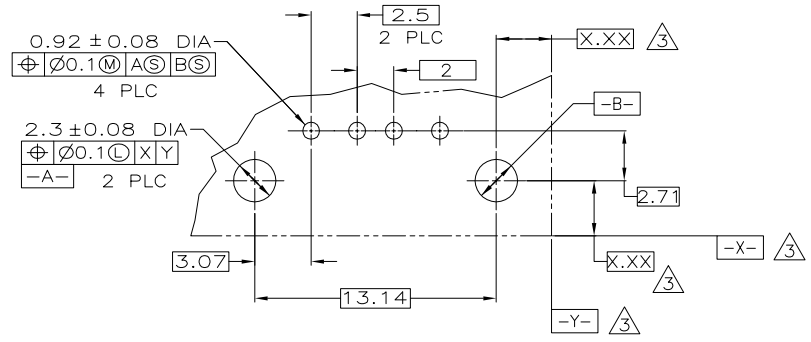
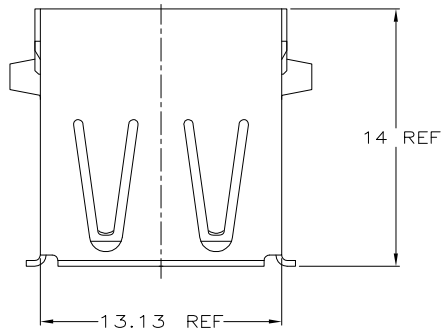
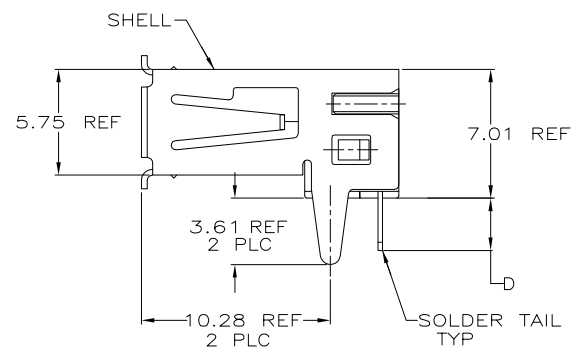
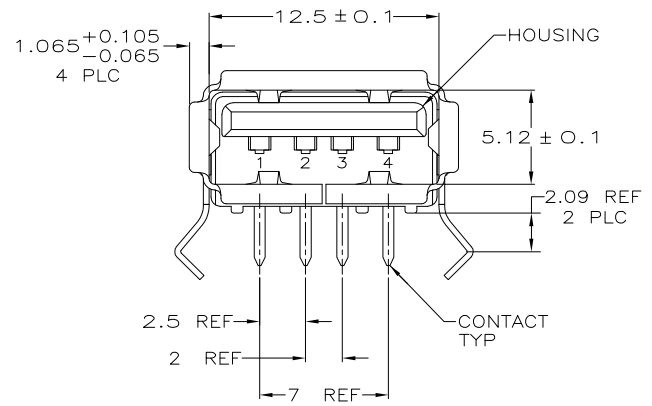


THIS DRAWING IS UNPUBLISHED. RELEASED FOR PUBLICATION .19  
 © COPYRIGHT 19 BY AMP INCORPORATED. ALL RIGHTS RESERVED.

LOC		DIST		REVISIONS			
P	LTR	DESCRIPTION	DATE	OWN	APVD	TY	SY
E5	00	ECR-10-014321	07JUL10				



PC BOARD MOUNTING DIMENSIONS ④



- ① MATERIAL:  
SHELL & CONTACTS- COPPER ALLOY.  
HOUSING: UL 94V-0 RATED, THERMOPLASTIC, COLOR SEE TABLE.
- ② PLATING:  
CONTACTS: 0.076 μm MINIMUM GOLD OVER 0.76 PALLADIUM-NICKEL ON MATING AREA.  
3.8 μm MINIMUM MATTE TIN ON SOLDER TAILS.  
BOTH OVER 1.27 μm MINIMUM NICKEL. μm MIN GOLD ON MATING AREA, 3.80 μm MIN MATTE TIN ON SOLDER TAILS, BOTH OVER 1.27 μm MIN NICKEL.  
SHELL: 2~5 μm MINIMUM BRIGHT TIN
- ③ DATUM AND BASIC DIMENSIONS ESTABLISHED BY CUSTOMER.
- ④ RECOMMENDED PC BOARD THICKNESS OF 1.57.

NO	3.81	BLACK	1-292303-5
NO	3.56	BLACK	1-292303-4
NO	3.20	BLACK	1-292303-3
YES	3.30	BLACK	1-292303-2
YES	2.29	BLACK	292303-6
YES	2.84	NATURAL	292303-5
YES	2.84	BLACK	292303-4
NO	2.84	NATURAL	292303-3
NO	2.29	BLACK	292303-2
NO	2.84	BLACK	292303-1
HIGH TEMPERATURE COMPATIBLE		D	HOUSING COLOR
			PART NUMBER

<small>THIS DRAWING IS A CONTROLLED DOCUMENT FOR AMP INCORPORATED. IF IT IS SUBJECT TO CHANGE AND THE CONTROLLING ENGINEERING ORGANIZATION SHOULD BE CONTACTED FOR THE LATEST REVISION.</small>		DWN J.JIANG 19FEB04 CHK S.YAO 19FEB04	Tyco Electronics Corporation Shanghai, P.R.China, 200233
DIMENSIONS: mm 	TOLERANCES UNLESS OTHERWISE SPECIFIED: 0 PLC ± 1 PLC ± 2 PLC ±0.25 3 PLC ± 4 PLC ± ANGLES ±	APVD T.SASAKI 19FEB04 PRODUCT SPEC 108-60034 APPLICATION SPEC	NAME RECEPTACLE ASSEMBLY RIGHT ANGLE, 4 POSITION, T/H & SMT USB, LEAD FREE VERSION SIZE A2 CAGE CODE 00779 DRAWING NO C-292303
MATERIAL ①	FINISH ②	WEIGHT -	SCALE 5:1 SHEET 1 OF 4 REV E5
CUSTOMER DRAWING			

4

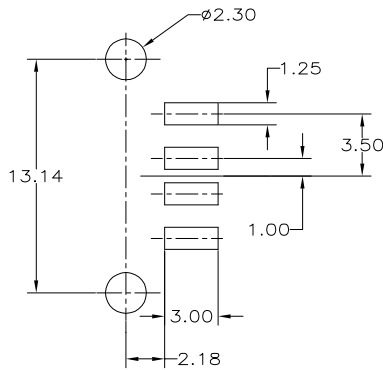
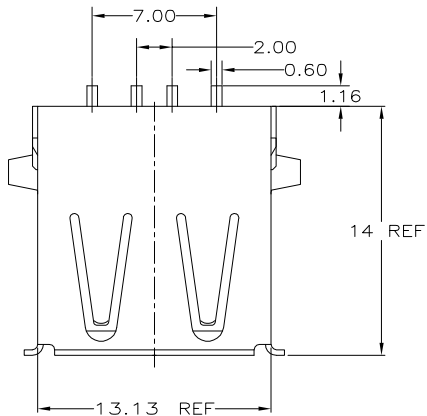
3

2

1

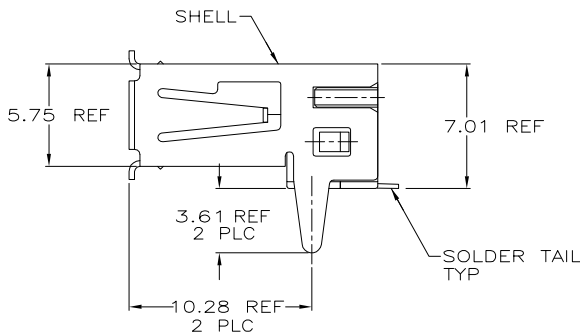
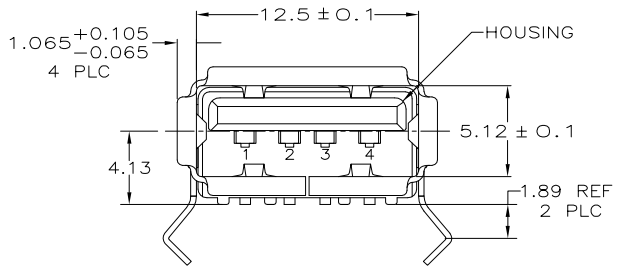
THIS DRAWING IS UNPUBLISHED. RELEASED FOR PUBLICATION .19  
 © COPYRIGHT 19 BY AMP INCORPORATED. ALL RIGHTS RESERVED.

LOC		DIST		REVISIONS			
#	LYR	DESCRIPTION		DATE	OWN	APVD	
ES	00	-	SEE SHEET 1	-	-	-	



- ⚠ MATERIAL:  
SHELL & CONTACTS- COPPER ALLOY.  
HOUSING: UL 94V-0 RATED, THERMOPLASTIC, COLOR SEE TABLE.
- ⚠ PLATING:  
CONTACTS: 0.076  $\mu\text{m}$  MINIMUM GOLD OVER 0.76  $\mu\text{m}$  MINIMUM PALLADIUM-NICKEL ON MATING AREA.  
3.8  $\mu\text{m}$  MINIMUM MATTE TIN ON SOLDER TAILS.  
BOTH OVER 1.27  $\mu\text{m}$  MINIMUM NICKEL.  
CONTACT ALTERNATE PLATING: 0.76  $\mu\text{m}$  MIN GOLD ON MATING AREA, 3.80  $\mu\text{m}$  MIN MATTE TIN ON SOLDER TAILS, BOTH OVER 1.27  $\mu\text{m}$  MIN NICKEL.  
SHELL: 2~5  $\mu\text{m}$  MINIMUM BRIGHT TIN
- ⚠ RECOMMENDED PC BOARD THICKNESS OF 1.42.

RECOMMENDED PC BOARD MOUNTING LAYOUT ⚠  
(TOLERANCE= $\pm 0.05$ )

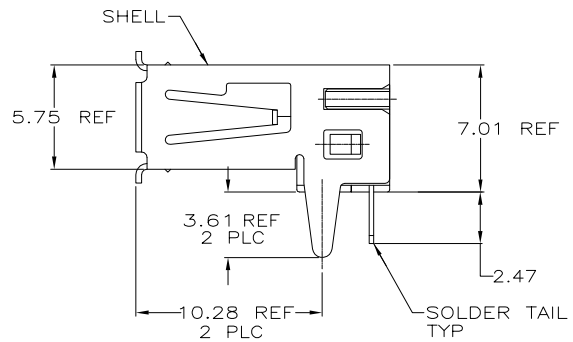
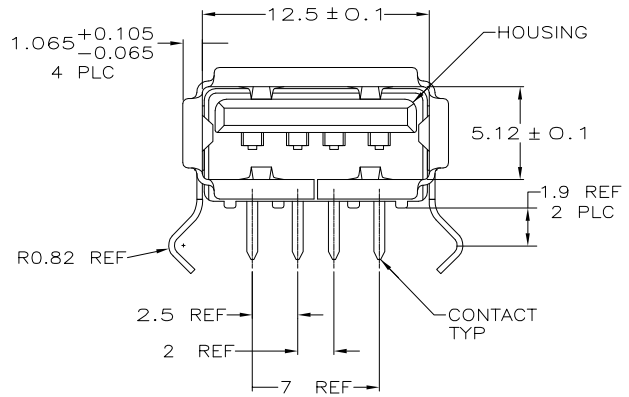
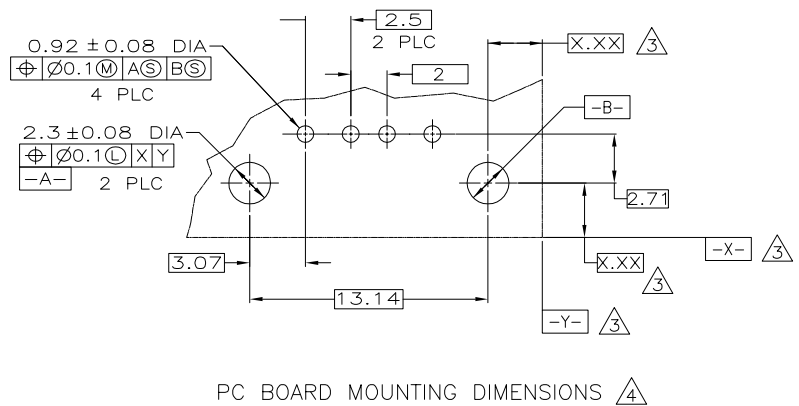
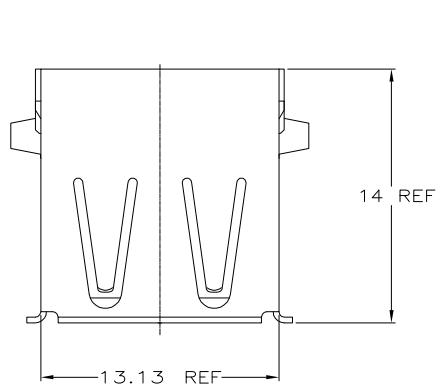


YES	BLACK	1-292303-1
YES	NATURAL	292303-7
HIGH TEMPERATURE COMPATIBLE	HOUSING COLOR	PART NUMBER

THIS DRAWING IS A CONTROLLED DOCUMENT FOR AMP INCORPORATED. IT IS SUBJECT TO CHANGE AND THE CONTROLLING ENGINEERING ORGANIZATION SHOULD BE CONTACTED FOR THE LATEST REVISION.		OWN J. JIANG 19FEB04	APVD T. SASAKI 19FEB04	NAME RECEPTACLE ASSEMBLY RIGHT ANGLE, 4 POSITION, T/H & SMT USB, LEAD FREE VERSION
DIMENSIONS: mm		CHK S. YAO 19FEB04	PRODUCT SPEC 108-60034	SIZE A2
TOLERANCES UNLESS OTHERWISE SPECIFIED: 0 PLC ±- 1 PLC ±- 2 PLC ±0.25 3 PLC ±- 4 PLC ±- ANGLES ±- FINISH		Tyco Electronics Corporation Shanghai, P.R.China, 200233		
MATERIAL 1		DRAWING NO 00779 SCALE 5:1		
2		SHEET 2 OF 4 REV E5		
CUSTOMER DRAWING		DRAWING NO C=292303		

THIS DRAWING IS UNPUBLISHED. RELEASED FOR PUBLICATION .19  
 © COPYRIGHT 19 BY AMP INCORPORATED. ALL RIGHTS RESERVED.

LOC	DIST	REVISIONS			
#	LYR	DESCRIPTION	DATE	OWN	APVD
ES	00	SEE SHEET 1	-	-	-



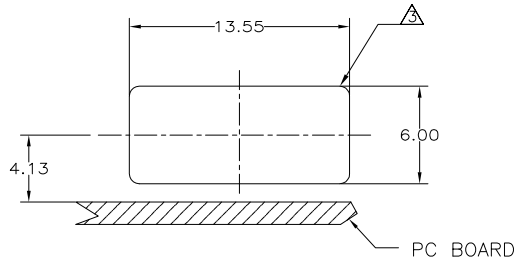
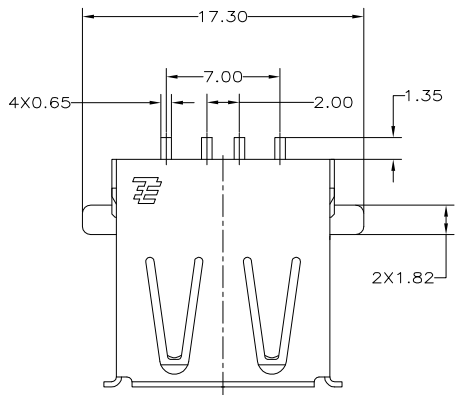
- △ MATERIAL:  
SHELL & CONTACTS- COPPER ALLOY.  
HOUSING: UL 94V-0 RATED, THERMOPLASTIC, COLOR SEE TABLE.
- △ PLATING:  
CONTACTS: 0.076 μm MINIMUM GOLD OVER 0.76 μm MINIMUM PALLADIUM-NICKEL ON MATING AREA.  
3.8 μm MINIMUM MATTE TIN ON SOLDER TAILS.  
BOTH OVER 1.27 μm MINIMUM NICKEL.  
CONTACT ALTERNATE PLATING: 0.76 μm MIN GOLD ON MATING AREA, 3.80 μm MIN MATTE TIN ON SOLDER TAILS, BOTH OVER 1.27 μm MIN NICKEL.  
SHELL: 2~5 μm MINIMUM BRIGHT TIN
- △ DATUM AND BASIC DIMENSIONS ESTABLISHED BY CUSTOMER.
- △ RECOMMENDED PC BOARD THICKNESS OF 1.2.

NO	NATURAL	292303-8
HIGH TEMPERATURE COMPATIBLE	HOUSING COLOR	PART NUMBER

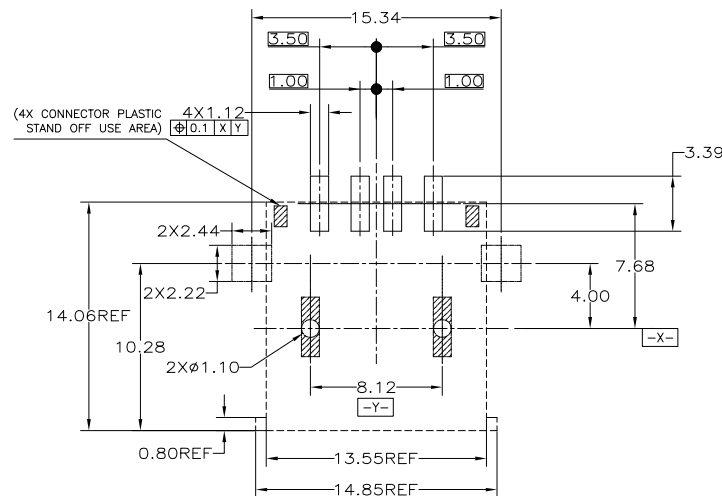
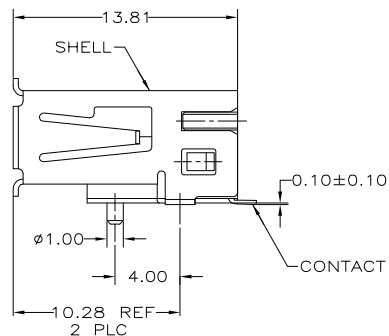
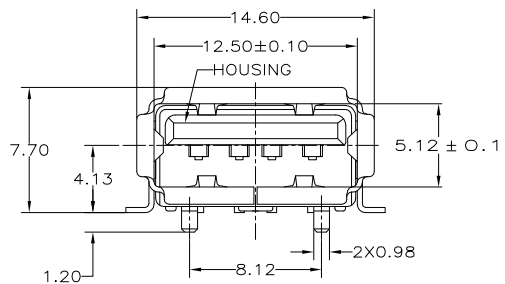
<small>THIS DRAWING IS A CONTROLLED DOCUMENT FOR AMP INCORPORATED. IT IS SUBJECT TO CHANGE AND THE CONTROLLING ENGINEERING ORGANIZATION SHOULD BE CONTACTED FOR THE LATEST REVISION.</small>		22OCT07 23OCT07 23OCT07	Tyco Electronics Corporation Shanghai, P.R.China, 200233
DIMENSIONS: mm	TOLERANCES UNLESS OTHERWISE SPECIFIED: 0 PLC ±- 1 PLC ±- 2 PLC ±0.25 3 PLC ±- 4 PLC ±- ANGLES ±-	NAME STEVEN YAO PRODUCT SPEC 108-60034 APPLICATION SPEC	RECEPTACLE ASSEMBLY RIGHT ANGLE, 4 POSITION, T/H & SMT USB, LEAD FREE VERSION
MATERIAL	FINISH	SIZE A2 GAGE CODE 00779 DRAWING NO C=292303	WEIGHT - SCALE 5:1 SHEET 3 OF 4 REV E5
CUSTOMER DRAWING			

THIS DRAWING IS UNPUBLISHED. RELEASED FOR PUBLICATION .19  
 © COPYRIGHT 19 BY AMP INCORPORATED. ALL RIGHTS RESERVED.

LOC	DIST	REVISIONS			
#	LTR	DESCRIPTION	DATE	OWN	APVD
ES	00	SEE SHEET 1	-	-	-



RECOMMENDED MOUNTING PANEL CUTOUT



RECOMMENDED PC BOARD MOUNTING LAYOUT (TOLERANCE=±0.05)

- ⚠ MATERIAL:  
SHELL & CONTACTS- COPPER ALLOY.  
HOUSING: UL 94V-0 RATED, THERMOPLASTIC, COLOR SEE TABLE.
- ⚠ PLATING:  
CONTACTS: 0.076 μm MINIMUM GOLD OVER 0.76 μm MINIMUM PALLADIUM-NICKEL ON MATING AREA.  
3.8 μm MINIMUM MATTE TIN ON SOLDER TAILS.  
BOTH OVER 1.27 μm MINIMUM NICKEL.  
CONTACT ALTERNATE PLATING: 0.76 μm MIN GOLD ON MATING AREA, 3.80 μm MIN MATTE TIN ON SOLDER TAILS, BOTH OVER 1.27 μm MIN NICKEL.  
SHELL: 2~5 μm MINIMUM BRIGHT TIN
- ⚠ PANEL IS NEEDED FOR CUSTOMER.

YES	NATURAL	292303-9
HIGH TEMPERATURE COMPATIBLE	HOUSING COLOR	PART NUMBER

<small>THIS DRAWING IS A CONTROLLED DOCUMENT FOR AMP INCORPORATED. IT IS SUBJECT TO CHANGE AND THE CONTROLLING ENGINEERING ORGANIZATION SHOULD BE CONTACTED FOR THE LATEST REVISION.</small>		DWG: J.JIANG 19FEB04 CHK: S.YAO 19FEB04 APVD: T.SASAKI 19FEB04 PRODUCT SPEC: 108-60034 APPLICATION SPEC: - WEIGHT: - CUSTOMER DRAWING	Tyco Electronics Corporation Shanghai, P.R.China, 200233 NAME: RECEPTACLE ASSEMBLY RIGHT ANGLE, 4 POSITION, T/H & SMT USB, LEAD FREE VERSION SIZE: A2 GAGE CODE: 00779 DRAWING NO: C=292303 SCALE: 5:1 SHEET: 4 OF 4 REV: E5
DIMENSIONS: mm TOLERANCES UNLESS OTHERWISE SPECIFIED: 0 PLC ±- 1 PLC ±- 2 PLC ±0.25 3 PLC ±- 4 PLC ±- ANGLES ±-	FINISH: ⚠	MATERIAL: ⚠	