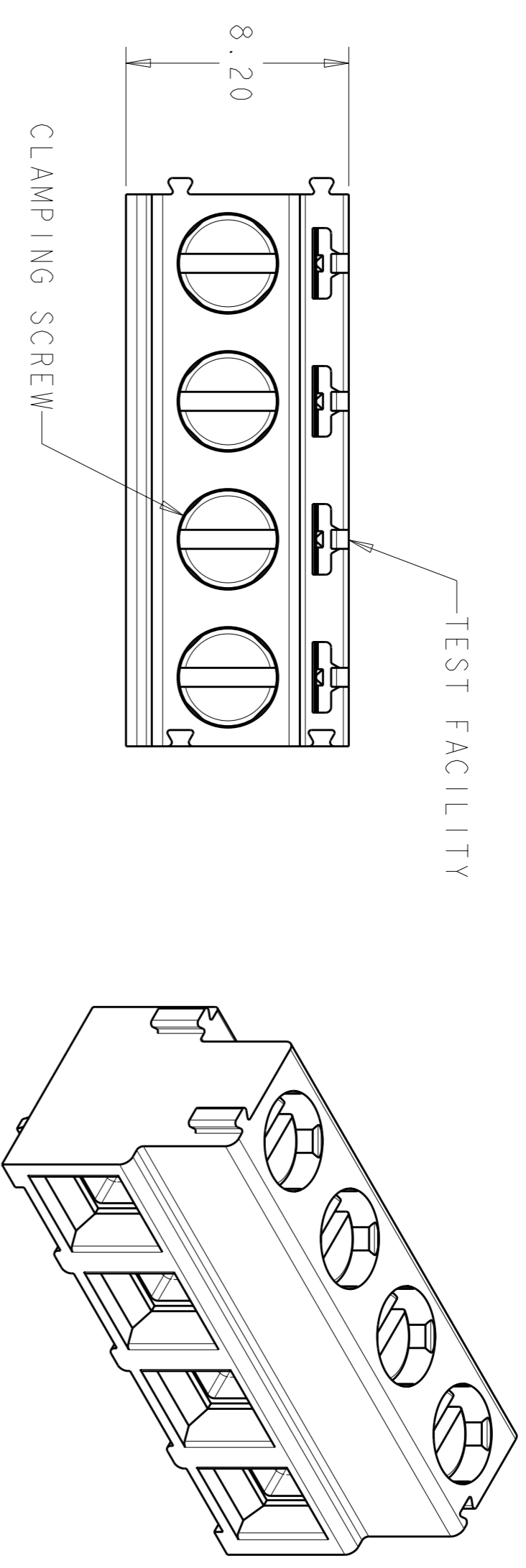
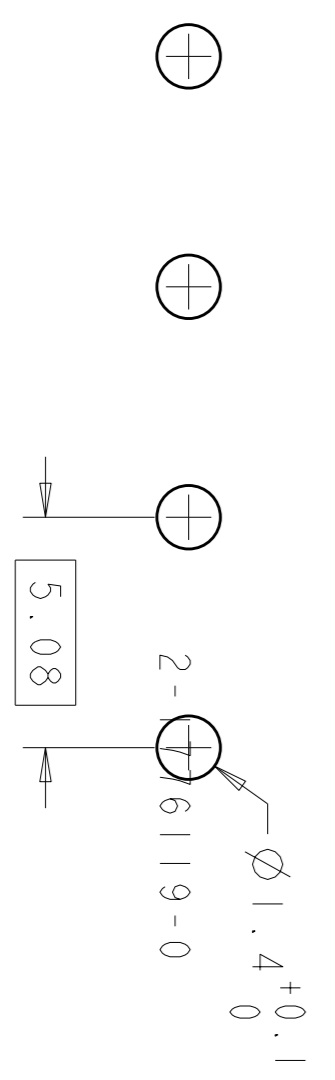
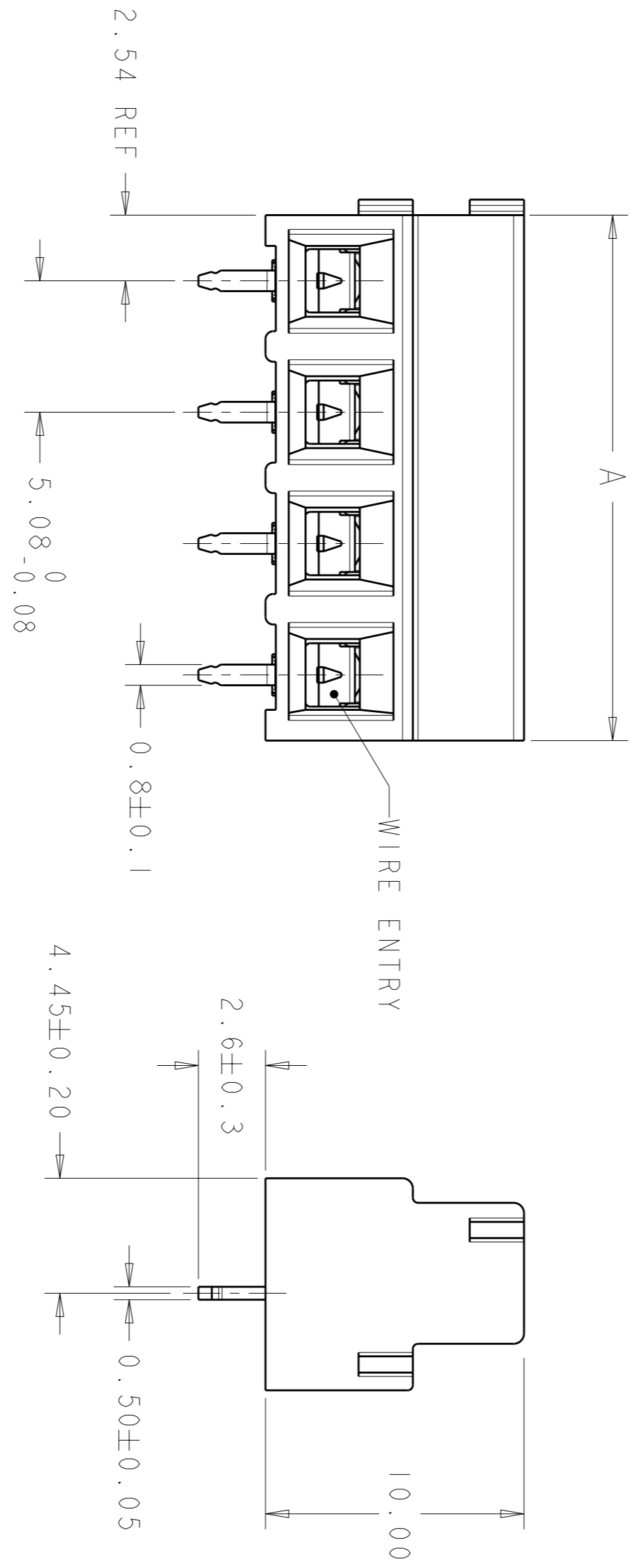


LOC	DIST	REV	DESCRIPTION	DATE	DMN	APVD
FT	0	P	TR			
		B2	REVISED PER ECO-10-001985	01FEB2010	HMR	CR

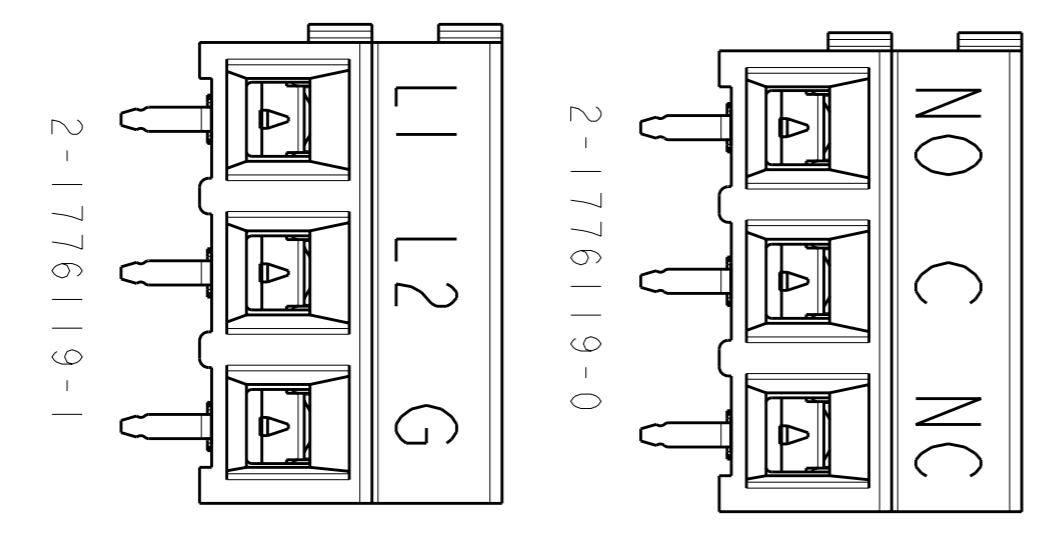


1776119-4 AS SHOWN



RECOMMENDED PC BOARD LAYOUT

- PARTS PURCHASED FROM SAURO.
- MATERIAL AND FINISH HOUSING: HIGH TEMPERATURE POLYAMIDE, UL 94V-0 RATED, COLOR: BLACK  
CLAMP: BRASS, NICKEL PLATED.  
TERMINAL: BRASS, TIN PLATED.  
CLAMPING SCREW: M3, BRASS, NICKEL PLATED.
- SUITABLE FOR 1.6-2.4mm PC BOARD THICKNESS
- END-TO-END STACKABLE W/ INTERLOCK WITHOUT LOSS OF CENTERLINE SPACING.
- WIRE SIZE RANGE: 16-30 AWG.
- RECOGNIZED UNDER THE COMPONENT PROGRAM OF UNDERWRITERS LABORATORIES IN. FILE NO. E60677.
- ISO CERTIFICATE WITH SURVEILLANCE IN CONFORMITY WITH IEC 998-1/998-2-1.
- PERMANENT INK MARKING, WHITE.
- PRELIMINARY.



MARKING	NO OF POSN	PART NUMBER
8/9	3	2-1776119-1
8/9	3	2-1776119-0
8/9	6	1776119-6
8/9	5	1776119-5
8/9	4	1776119-4
8/9	3	1776119-3
8/9	2	1776119-2
A		

THIS DRAWING IS A COMPONENT DRAWING FOR THE CUSTOMER'S INFORMATION. IT IS SUBJECT TO REVISIONS FOR THE LATEST REVISION.

**Tyco Electronics**  
 Harrisburg, PA 17105-3608

DMN: S. WELDON 19NOV2008  
 CHK: C. RICHARD 19NOV2008  
 APVD: C. RICHARD 19NOV2008

PRODUCT SPEC: TERMINAL BLOCK ASSEMBLY, PCB MOUNT, STACKING, SIDE WIRE ENTRY, WITH INTERLOCK, 5.08mm PITCH

APPLICATOR SPEC: SIZE: A2 CAGE CODE: 00779 DRAWING NO: 1776119

RESTRICTED TO: CUSTOMER DRAWING

SCALE: 5:1 SHEET: 1 OF 1 REV: B2