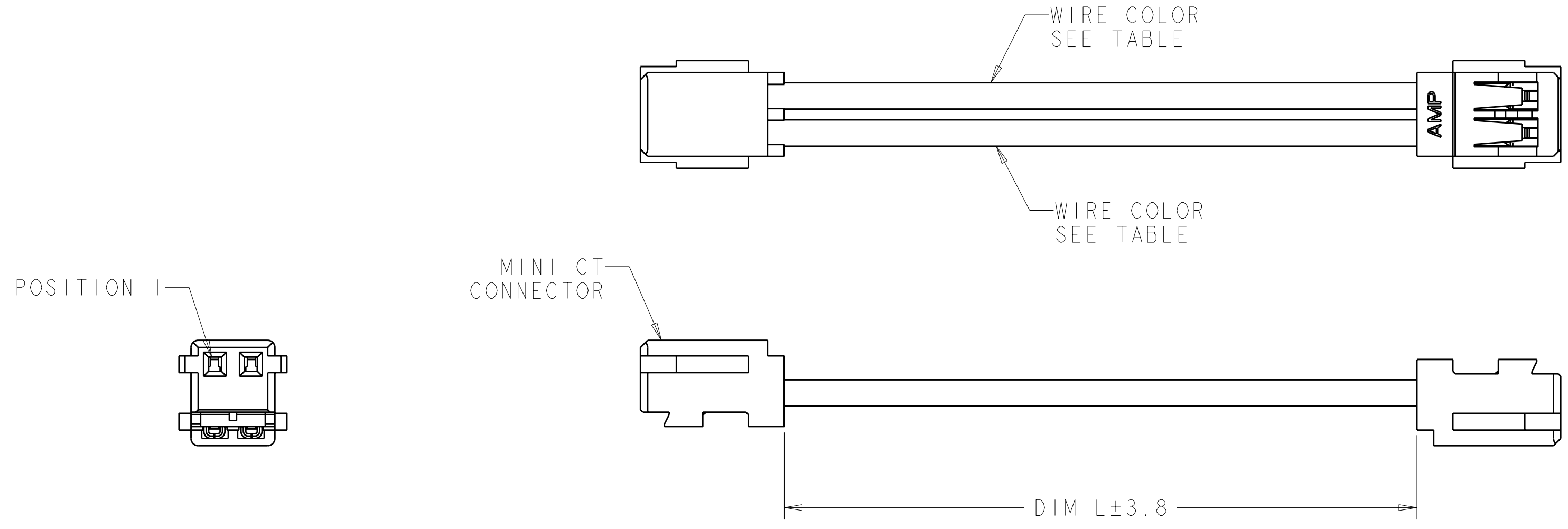


THIS DRAWING IS UNPUBLISHED. RELEASED FOR PUBLICATION 20
 © COPYRIGHT 20 BY TYCO ELECTRONICS CORPORATION. ALL RIGHTS RESERVED.

LOC		DIST		REVISIONS			
P	LTR	DESCRIPTION	DATE	DWN	APVD		
-	-	A3	REVISED PER ECR-09-026901	10DEC09	JR	DD	

⚠ MATERIALS AND FINISH:
 HOUSING: NYLON, COLOR: WHITE
 CONTACTS: COPPER ALLOY, FINISH: PRE-TINNED
 WIRE: 24 AWG, UL 1061 STYLE
 2. MUST COMPLY WITH DIRECTIVE 2002/95/EC (ROHS)



BLACK	RED	300.0	1969310-3
BLACK	RED	150.0	1969310-2
BLACK	RED	50.0	1969310-1
WIRE COLOR POSITION #2	WIRE COLOR POSITION #1	DIM L	PART NO.

<small>THIS DRAWING IS A CONTROLLED DOCUMENT FOR TYCO ELECTRONICS CORPORATION. IT IS SUBJECT TO CHANGE AND THE CONTROLLING ENGINEERING ORGANIZATION SHOULD BE CONTACTED FOR THE LATEST REVISION.</small>		DWN S. SCHLEGEL 18AUG2009 CHK D. DECKER 18AUG2009 APVD D. DECKER 18AUG2009	Tyco Electronics Harrisburg, PA 17105-3608
DIMENSIONS: mm 	TOLERANCES UNLESS OTHERWISE SPECIFIED: 0 PLC ± 1 PLC ± 2 PLC ± 3 PLC ± 4 PLC ± ANGLES ± FINISH	PRODUCT SPEC APPLICATION SPEC 114-5245 WEIGHT -	NAME CABLE ASSEMBLY MINI-CT SIZE CAGE CODE DRAWING NO RESTRICTED TO A200779 C-1969310 -
MATERIAL ⚠		CUSTOMER DRAWING SCALE 6:1 SHEET 1 OF 1 REV A3	