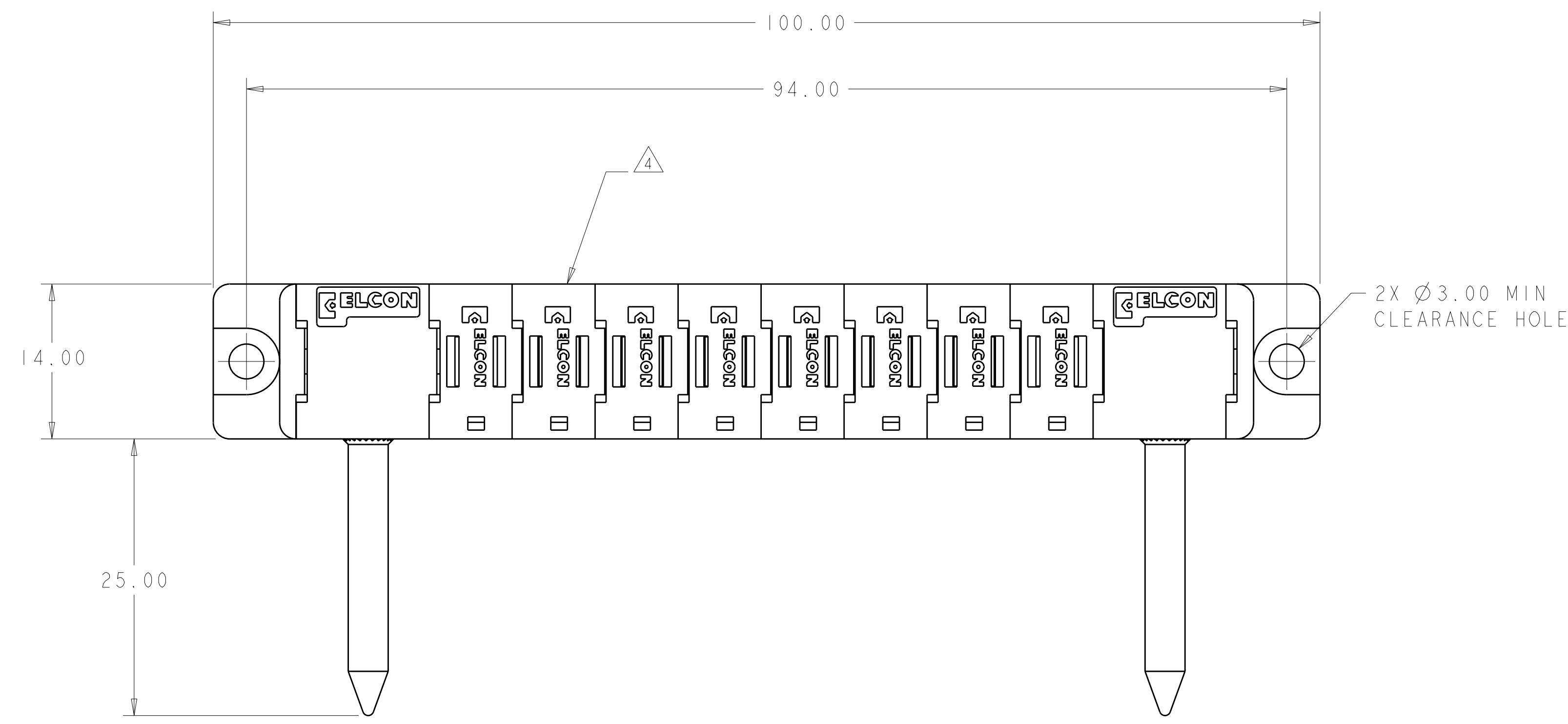


LOC	DIST	REV	DATE	BY	APPD
-	-	1	23SEP2008	CR	PD
-	-	A	02OCT2008	CR	PD



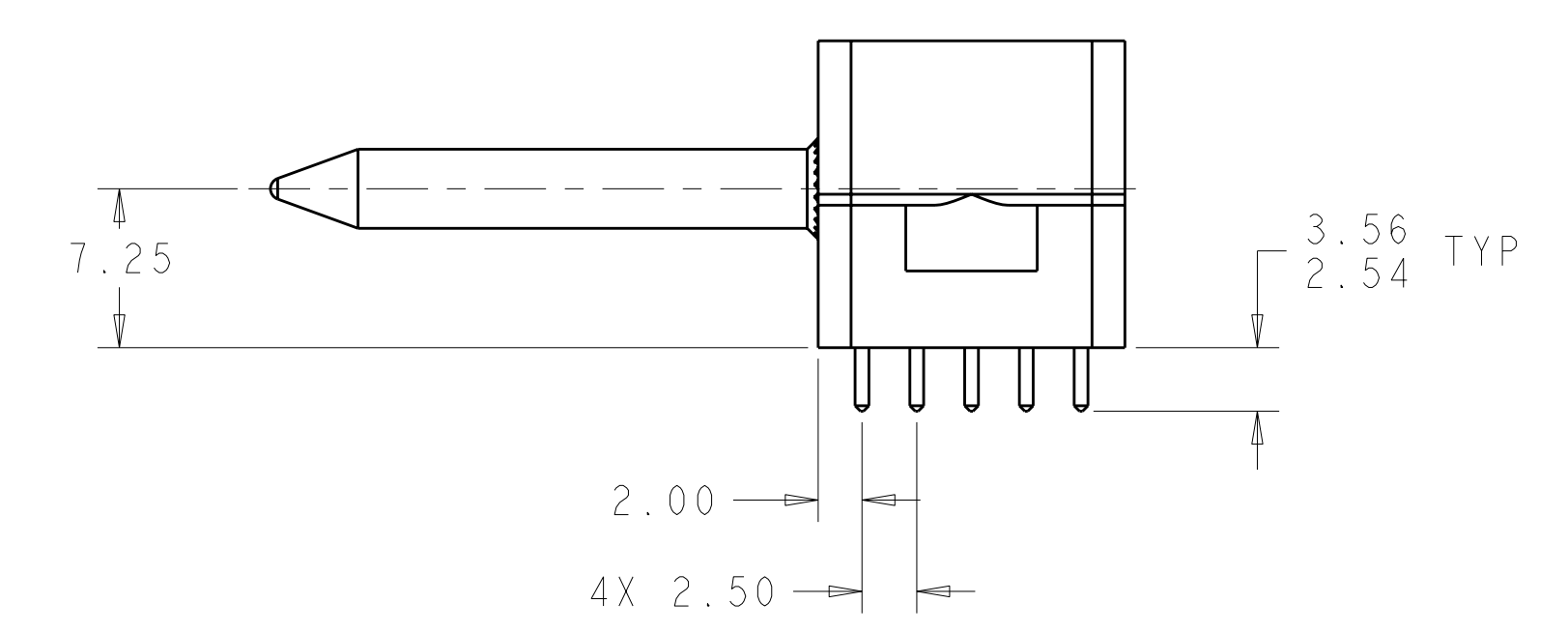
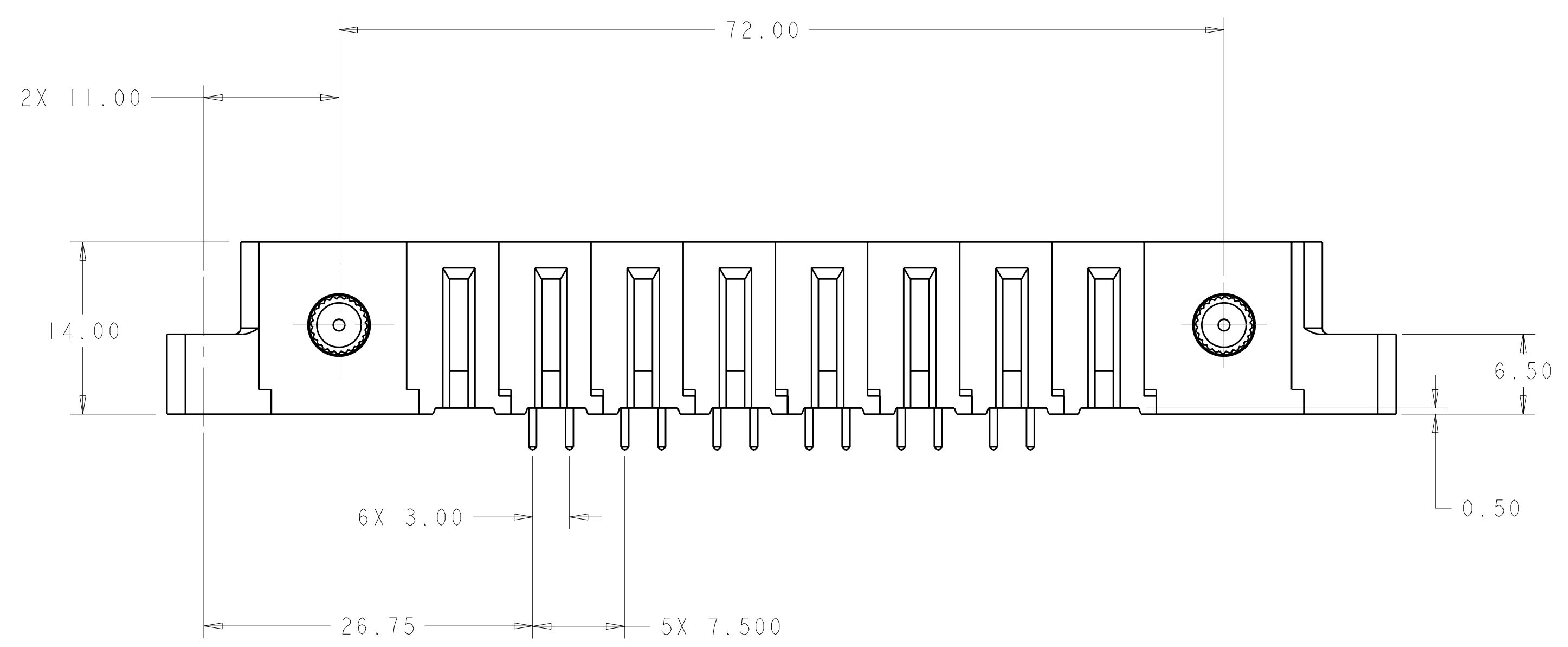
- PART NUMBER CHANGES AND OR DESIGN CHANGES AFFECTING ITEM INTERCHANGEABILITY REQUIRE PRIOR TYCO ELECTRONICS APPROVAL AND AUTHORIZATION BY REVISION TO THIS DRAWING.
- MATERIAL:
 - INSULATORS - THERMOPLASTIC, GLASS REINFORCED, COLOR: BLACK, UL94V-0 FLAMMABILITY RATED.
 - POWER CONTACTS - PHOSPHOR BRONZE ALLOY, COPPER ALLOY
 - CROWN BAND-BERYLLIUM COPPER ALLOY
- FINISH:
 - CONTACTS - GOLD PLATE 0.76µm MIN. THK., OVER NICKEL
 - 1.27µm MIN. THK
 - SOLDER TAILS, TIN 3.05µm MIN. THK. OVER NICKEL
 - 1.27µm MIN THK.

△ ITEMS PROVIDED TO THIS SPECIFICATION TO BE PERMANENTLY IDENTIFIED PER THE FOLLOWING IDENTIFIER LABEL

YEAR WEEK

TYCO ELECTRONICS P/N DATE CODE (e.g. 0106)
 XXXXXXXX-X XXXX

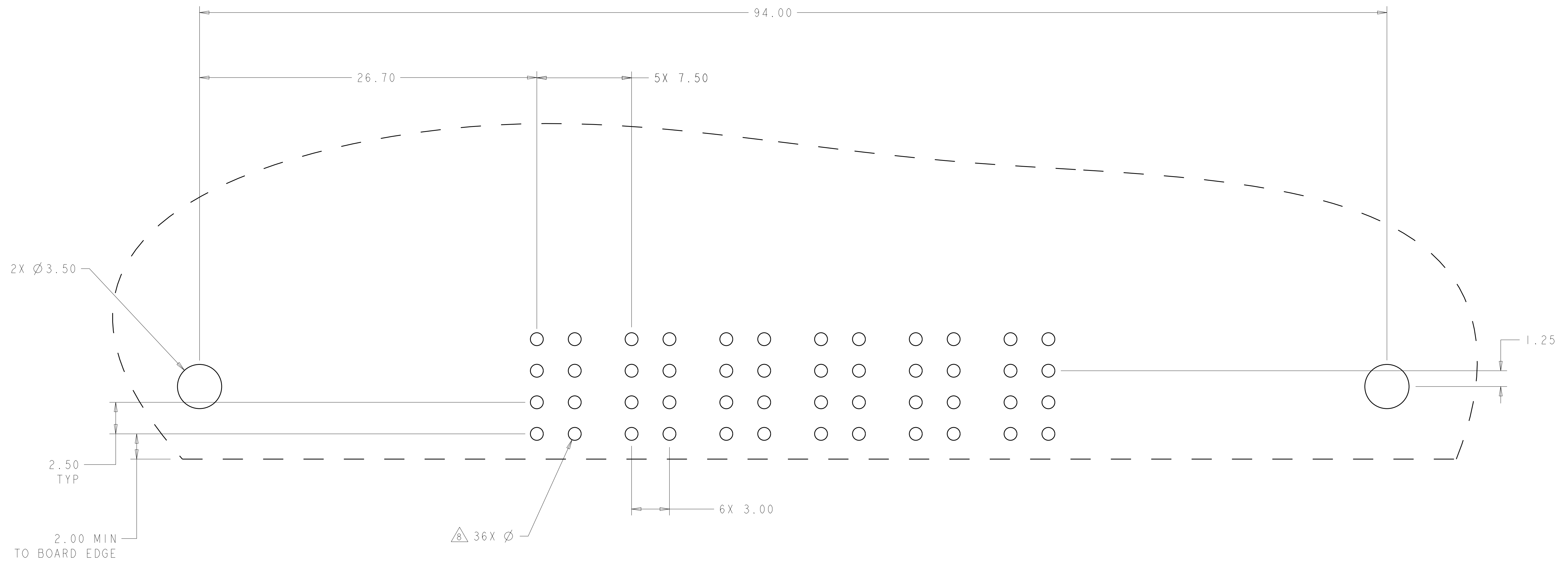
- MOUNTING FLANGE ACCEPTS M3 OR NO.4 SCREWS. (USER SUPPLIED)
- CONNECTOR MATES WITH TYCO ELECTRONICS PART NUMBER 1926996-1



ELCON **FLATPAQ**

AS SHOWN	1926997-1
DESCRIPTION	PART NO.
Tyco Electronics Harrisburg, PA 17105-3608	
DIMENSIONS: mm TOLERANCES UNLESS OTHERWISE SPECIFIED: 9 PLC ±.5 1 PLC ±.5 5 PLC ±.25 4 PLC ±. ANGLES ±. FINISH #2	DWN C. ROHLER 23SEP2008 CHK P. DAMATO 23SEP2008 APVD M. PERCHERIE 23SEP2008 NAME PRODUCT SPEC APPLICATION SPEC WEIGHT CUSTOMER DRAWING
PIN CONNECTOR ASSEMBLY RIGHT ANGLE, SOLDER TAILS FLATPAQ	
SIZE CAGE CODE DRAWING NO A 100779 C=1926997	RESTRICTED TO SCALE 3:1 SHEET 1 OF 3 REV A

LOC	DIST	REV	DATE	BY	APP'D
-	-	1	-	-	-
REVISIONS			DESCRIPTION	DATE	DWN
-	-	1	SEE SHEET 1	-	-



PRINTED CIRCUIT LAYOUT
 COMPONENT SIDE
 SCALE 6:1

CONNECTOR	CATALOG MODULE #	QTY	SIZE NO.	CONTACT QTY	MATING PIN	MAX. CURRENT (PER CONTACT)	CONTACT SPACING	VOLTAGE RATING
PIN	FP104	6	8	3	1.25 X 7.00 [.049 X .276]	35 amps	7.50 [.2953]	250 VOLTS
	FP512	2	SPACER, 250V					
	FP500	1	LEFT MOUNTING FLANGE					
	FP501	1	RIGHT MOUNTING FLANGE					
	FP507	2	RIGHT ANGLE GUIDE PIN					

ELCON FLATPAQ

DIMENSIONS: mm 		TOLERANCES UNLESS OTHERWISE SPECIFIED: 0 PLC ±.5 1 PLC ±.5 2 PLC ±.25 3 PLC ±.5 4 PLC ±.5 ANGLES ±.2 FINISH #2		DWN C. ROHLER 23SEP2008 CHK P. DAMATO 23SEP2008 APVD M. PERCHERIE 23SEP2008 NAME PRODUCT SPEC APPLICATION SPEC WEIGHT CUSTOMER DRAWING		Tyco Electronics Harrisburg, PA 17105-3608 SIZE CAGE CODE DRAWING NO. RESTRICTED TO A100779C-1926997 SCALE 3:1 SHEET 2 OF 3 REV A	
-----------------------	--	---	--	---	--	---	--

