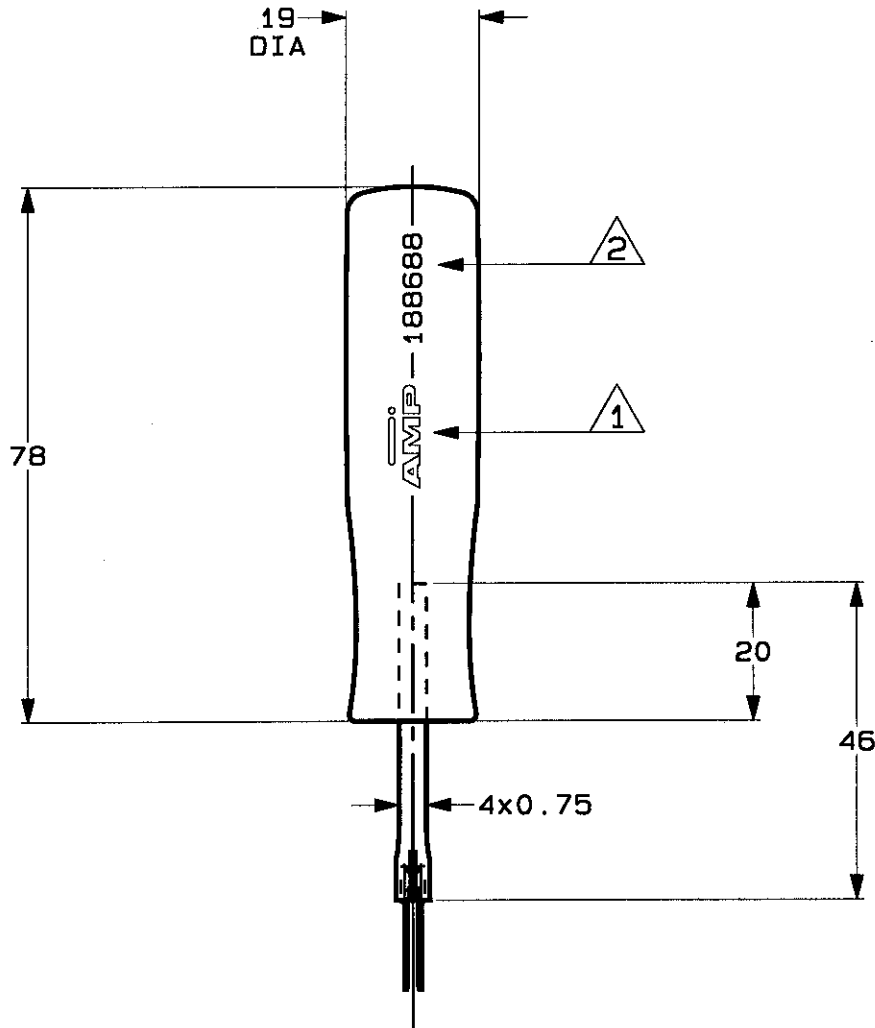


DO NOT SCALE

DIMENSIONS IN mm

METRIC


THIRD ANGLE
PROJECTION



NOTES:

- ① AMP TRADEMARK.
- ② PARTNUMBER IDENTIFICATION.

- 1 AS SHOWN

-	-	-	-	-	CUSTOMER DRAWING FOR REFERENCE ONLY WILL NOT BE UPDATED	
-	-	-	-	-	© COPYRIGHT 19- BY AMP HOLLAND B.V. ALL INTERNATIONAL RIGHTS RESERVED. AMP PRODUCTS MAY BE COVERED BY U.S. AND FOREIGN AND/OR PATENTS PENDING.	
-	-	-	-	-	THIS DRAWING IS UNPUBLISHED RELEASED FOR PUBLICATION	
-	-	-	-	-	 AMP HOLLAND B.V. 's-Hertogenbosch, The Netherlands.	
0	EH-1037-96	JvL	RotB	09-09-96	NAME AMP DUAC EXTRACTION TOOL	
LTR.	REVISION RECORD	DR.	CHK.	DATE		
DR.:	J.v.LIEMPT	CHK.:	R. Opten BERG	APP.:	M.v.DRIEL	DWG. No. 188688
DATE:	09 SEP 96	DATE:	-	DATE:	-	REV. LTR. 0
						SHEET 1 OF 1
						A4