

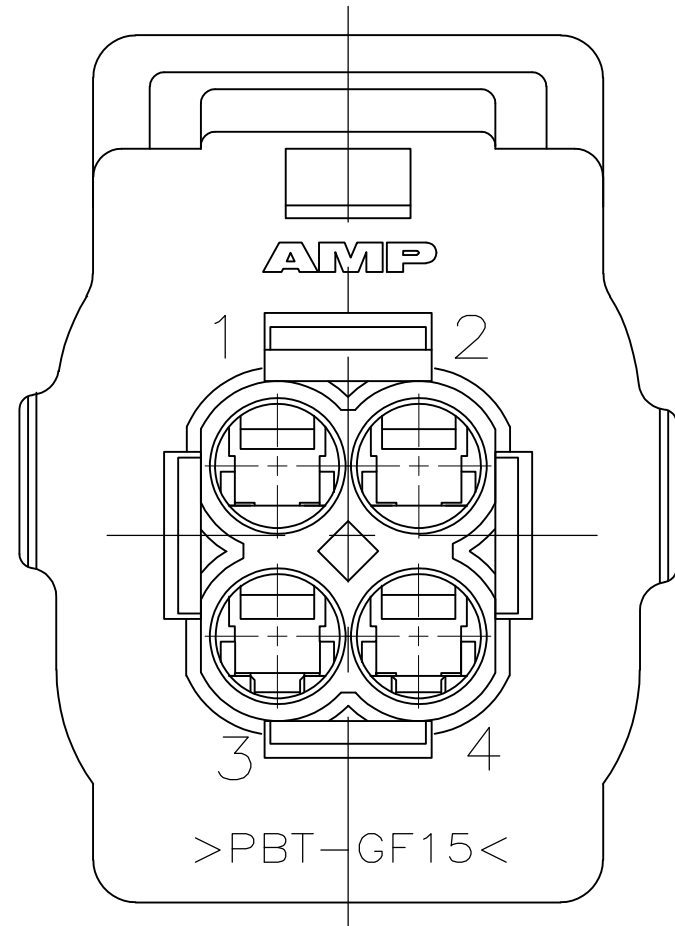
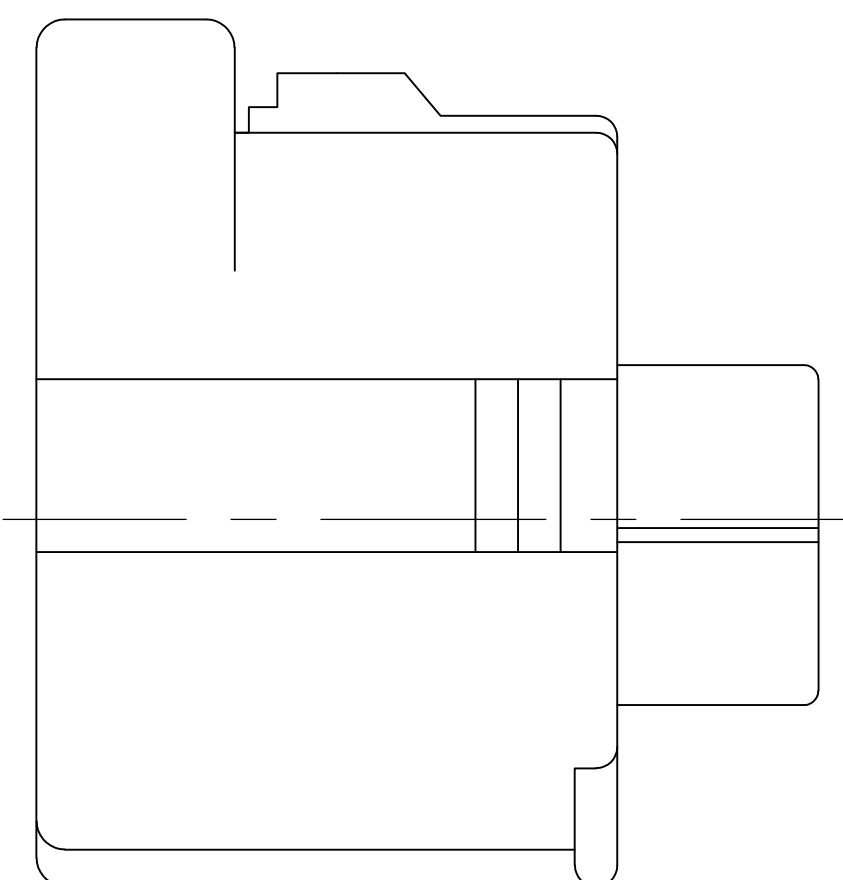
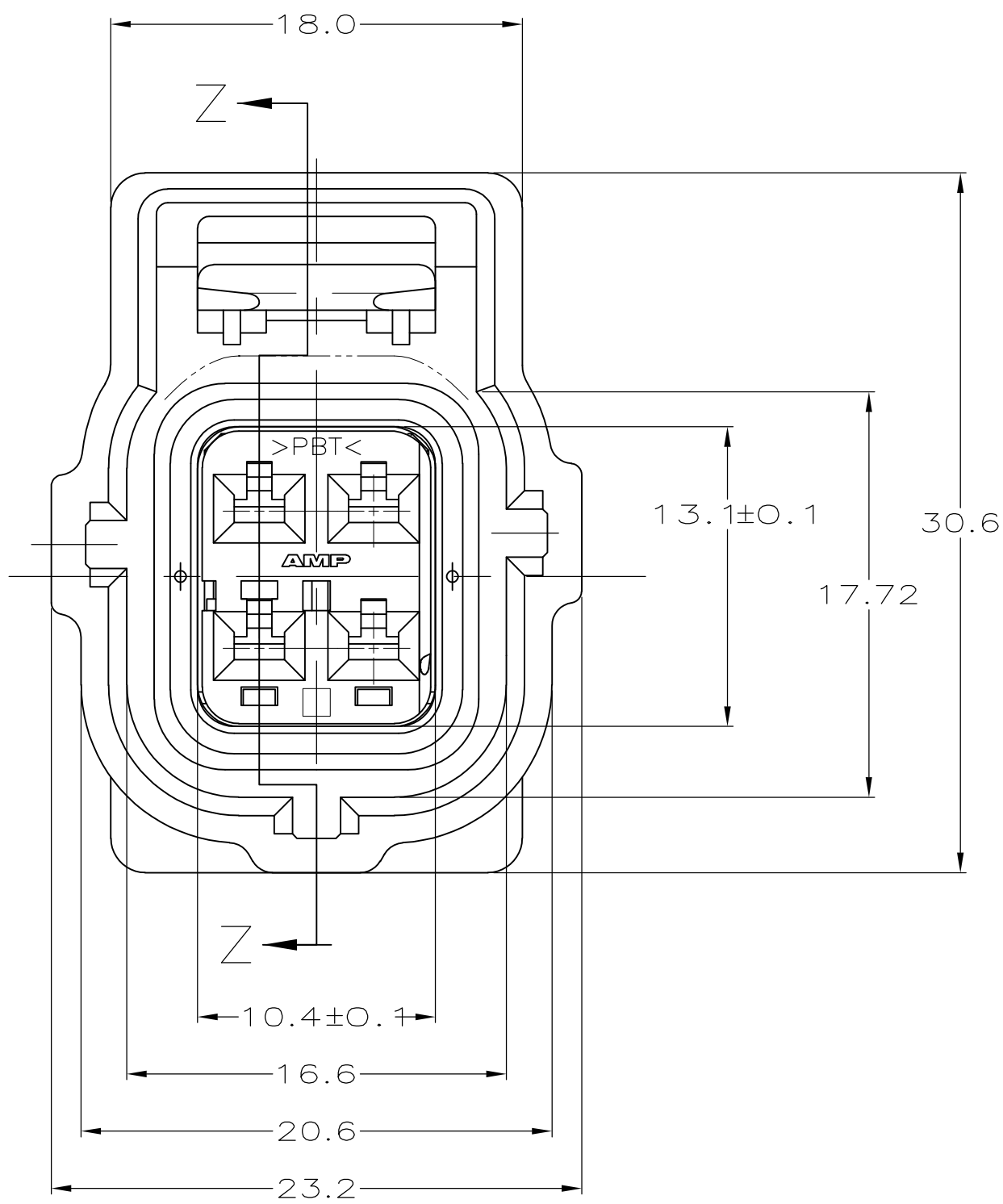
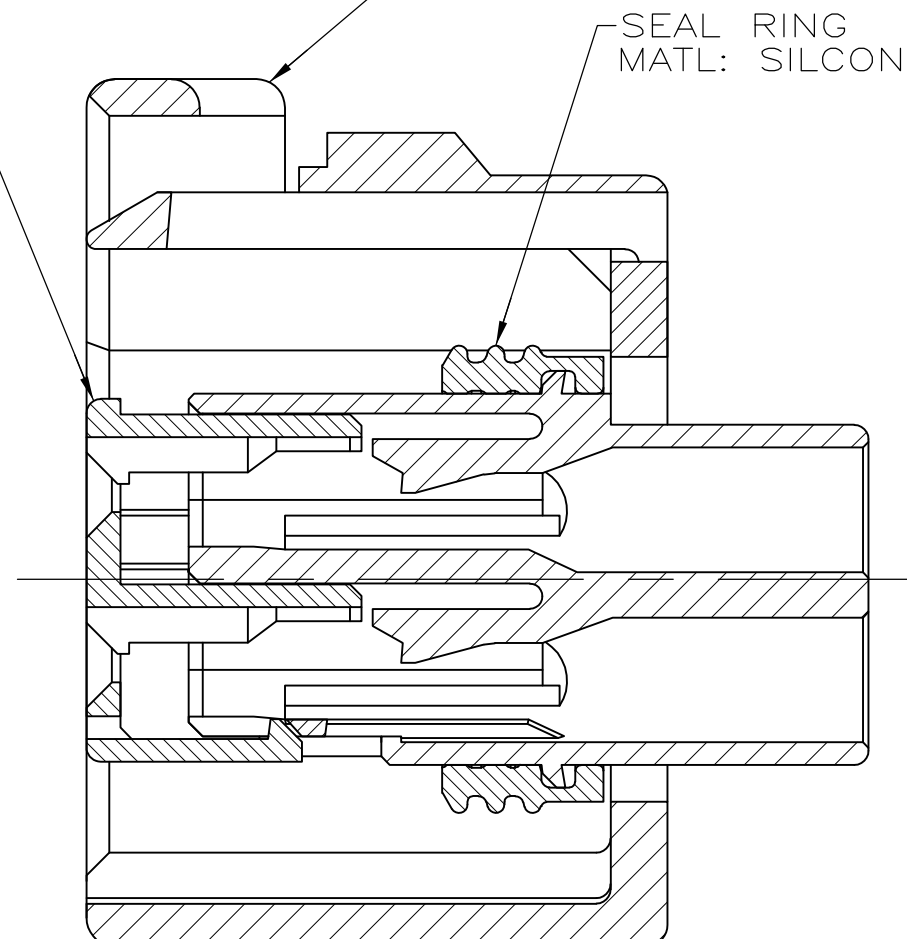
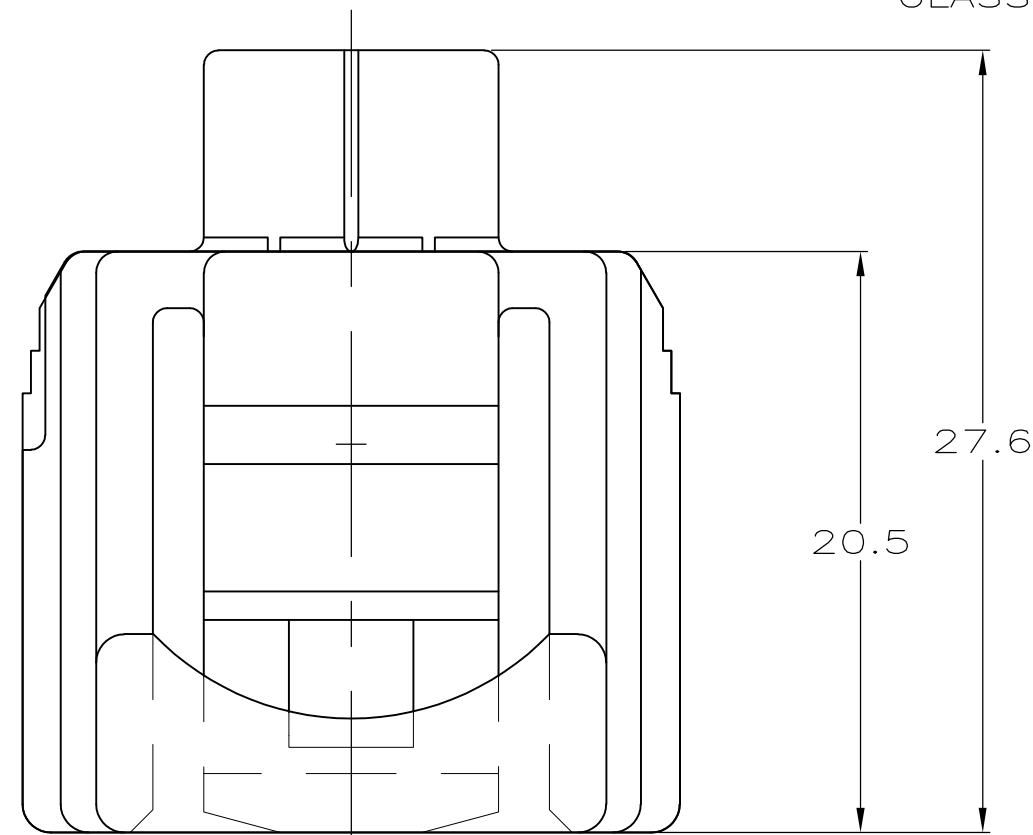
THIS DRAWING IS UNPUBLISHED. RELEASED FOR PUBLICATION
 © COPYRIGHT BY TYCO ELECTRONICS CORPORATION. ALL RIGHTS RESERVED.

LOC	DIST	REVISIONS					
GE	00	P	LTR	DESCRIPTION	DATE	DWN	APVD
		B1		REVISED PER ECO-08-020948	22AUG2008	DLD	MHB

DBL LOCK PLATE
 MATL: PBT, 15%
 GLASS FILLED

PLUG HOUSING
 MAT'L: PBT, 15% GLASS FILLED

SEAL RING
 MATL: SILICONE RUBBER



GRAY	184392-3
NATURAL	184392-2
BLACK	184392-1
PLUG COLOR	PART NUMBER

THIS DRAWING IS A CONTROLLED DOCUMENT.		DWN AJ GRAFF 16MAY01	Tyco Electronics Corporation Harrisburg, Pa 17105-3608	
DIMENSIONS: mm	TOLERANCES UNLESS OTHERWISE SPECIFIED:	CHK K COBLE 16MAY01	NAME	
	0 PLC ± - 1 PLC ± 0.3 2 PLC ± 0.15 3 PLC ± - 4 PLC ± - ANGLES ± - FINISH -	APVD K COBLE 16MAY01	PRODUCT SPEC	
			APPLICATION SPEC	
MATERIAL		WEIGHT	SIZE A2	CAGE CODE 00779
			DRAWING NO C=184392	
		CUSTOMER DRAWING	SCALE 4:1	SHEET 1 OF 1
			RESTRICTED TO	REV B1