

4

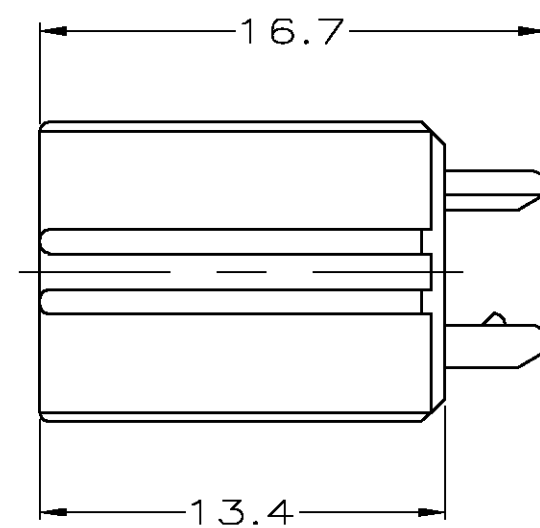
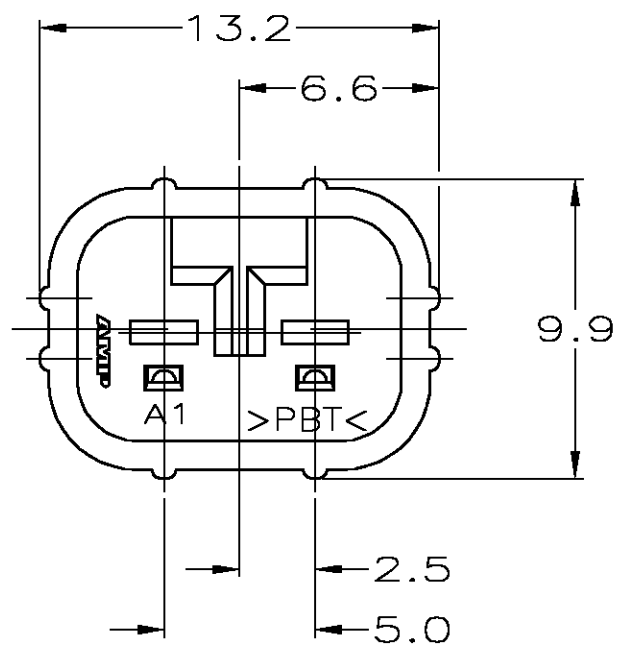
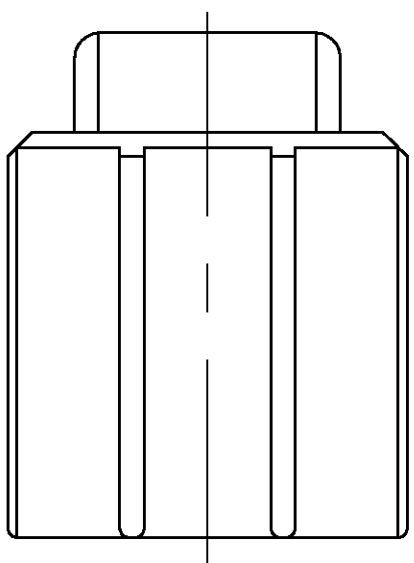
3

2

1

THIS DRAWING IS UNPUBLISHED. RELEASED FOR PUBLICATION
 © COPYRIGHT BY TYCO ELECTRONICS CORPORATION. ALL RIGHTS RESERVED.

LOC	DIST	REVISIONS					
		P	LTR	DESCRIPTION	DATE	DWN	APVD
GE	00		B1	REV PER ECR-05-002185	26APR05	AH	KC



184175-1
 PART NUMBER

THIS DRAWING IS A CONTROLLED DOCUMENT.		DWN K.WISE 02/14/96	Tyco Electronics Corporation Harrisburg, Pa 17105-3608	
DIMENSIONS: mm		CHK J.KUNKLE 03/07/96		
		APVD J.KUNKLE 03/07/96	NAME LOCK PLATE, CAP HSG, SSC 2 POSN	
TOLERANCES UNLESS OTHERWISE SPECIFIED:		PRODUCT SPEC	APPLICATION SPEC	
0 PLC ± - 1 PLC ± 0.3 2 PLC ± - 3 PLC ± - 4 PLC ± - ANGLES ± -		WEIGHT	SIZE A3	CAGE CODE 00779
MATERIAL PBT		FINISH YELLOW	DRAWING NO C-184175	
		CUSTOMER DRAWING		RESTRICTED TO -
		SCALE 2:1	SHEET 1	OF 1
		REV B1		