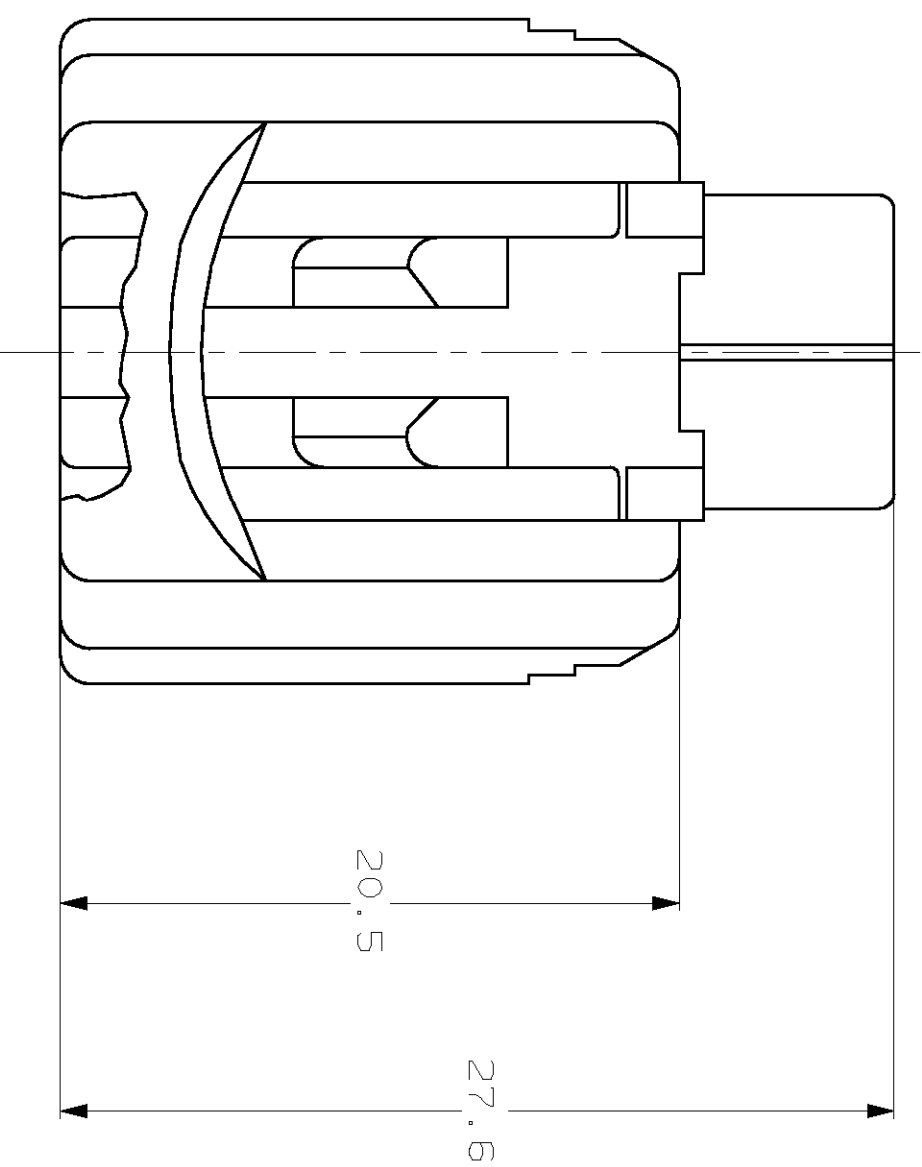
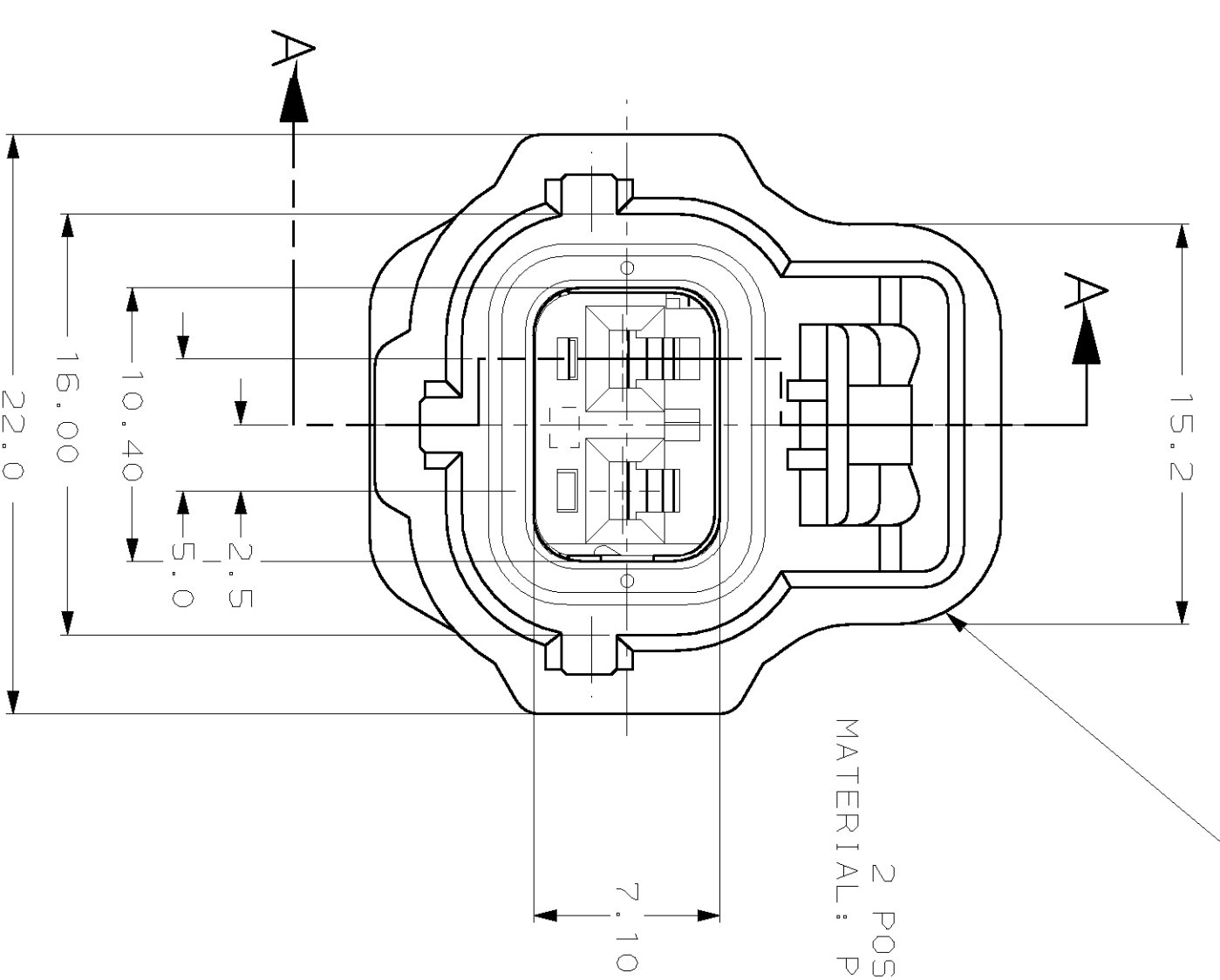


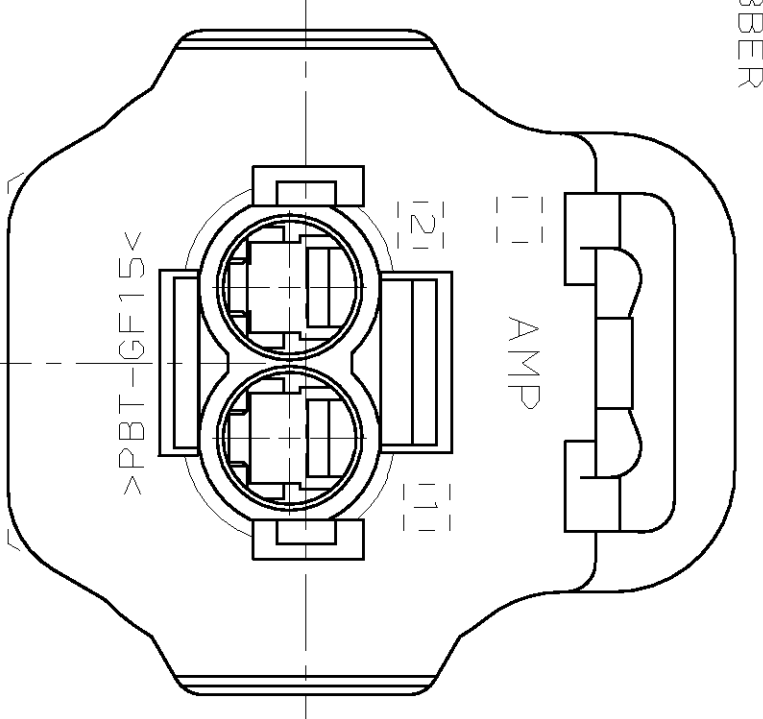
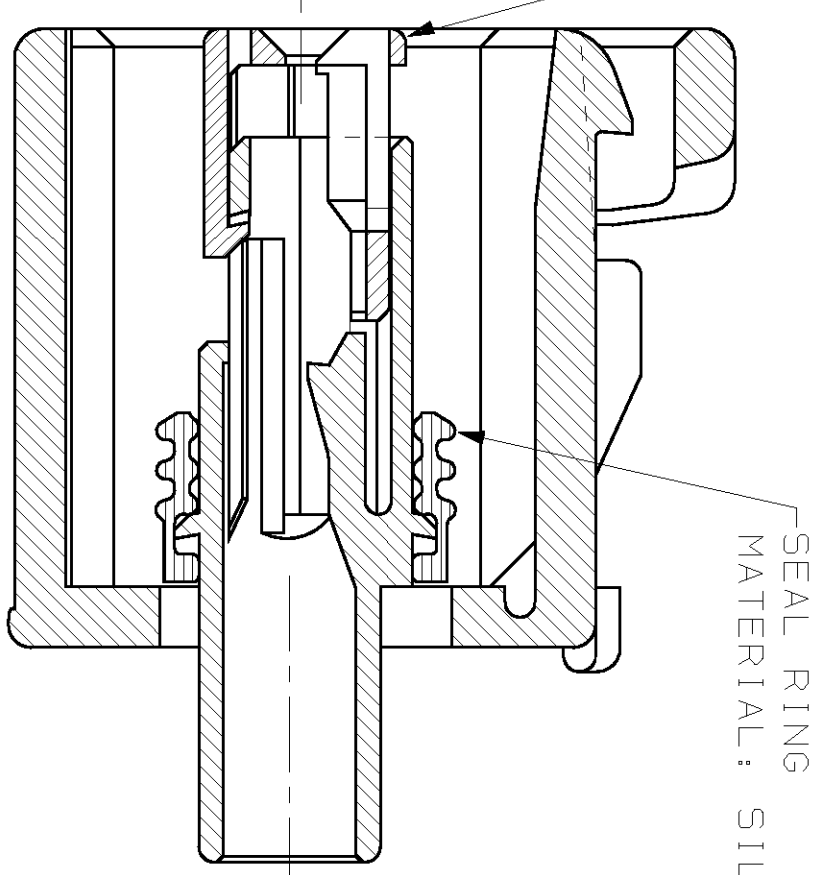
REVOLUTIONS		DATE	DWN	APP'D
P	DESCRIPTION			
0	RELEASED, WAS 92-4072-2313-2	-	-	-
A	REV PER ECN 0720-0290-94	10/3/94	KL	JPK
B	REV PER ECN 0720-0446-94	12/16/94	KW	JK
C	REV PER ECN 0K50-0003-96	08/13/96	KW	JK
D	REV PER ECN 0K40-0140-00	6-28-00	PC	GI



2 POSN PLUG
 MATERIAL: PBT, 15% GLASS FILLED



2 POSN. DOUBLE LOCK PLATE
 MATERIAL: PBT, 15% GLASS FILLED



DIMENSIONS:		TOLERANCES UNLESS OTHERWISE SPECIFIED.	
0 PLC	±.30	10 PLG	±.15
1 PLC	±.15	20 PLG	±.15
2 PLC	±.15	30 PLG	±.15
3 PLC	±.15	40 PLG	±.15
4 PLC	±.15	50 PLG	±.15
FINISH		ANGLES	
-		±1°	

DIN		3/23/94	
KD LYTLE		4/19/94	
CHK JP KUNKLE			
APVD			
PRODUCT SPEC		-	
APPLICATION SPEC		-	
WEIGHT		-	
MATERIAL		-	
CUSTOMER DRAWING		-	

GRAY	184002-1
PLUG COLOR	PART NO
AMP	AMP Incorporated
	Harrisburg, PA 17105-3608

1 X 2 PLG ASY KEY B-C3	DRAWING NO
SIZE	①184002
A2 00779	SCALE
	4:1
	SHEET 1 OF 1
	REV D