

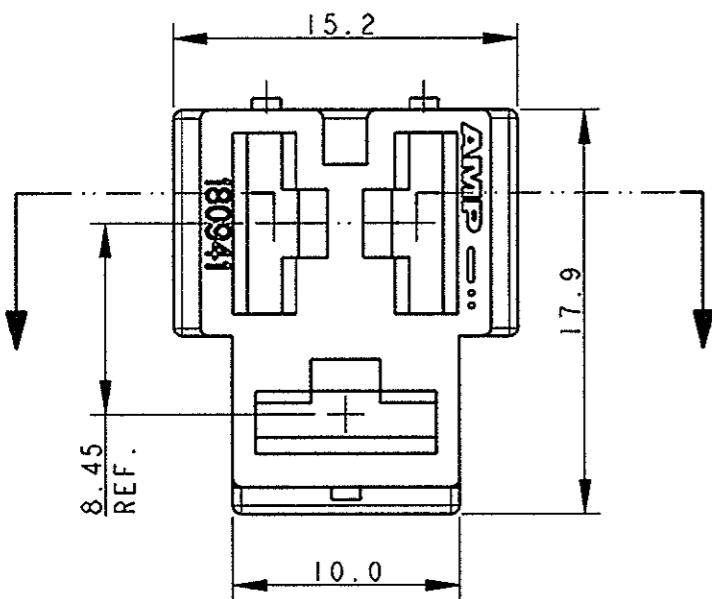
THIS DRAWING IS UNPUBLISHED.

RELEASED FOR PUBLICATION

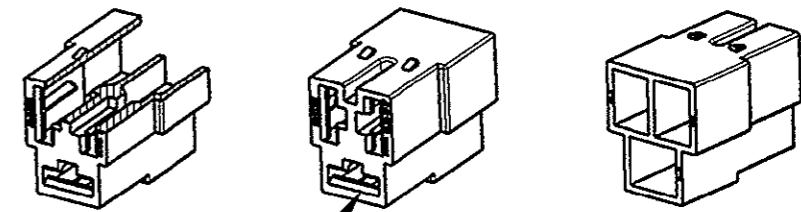
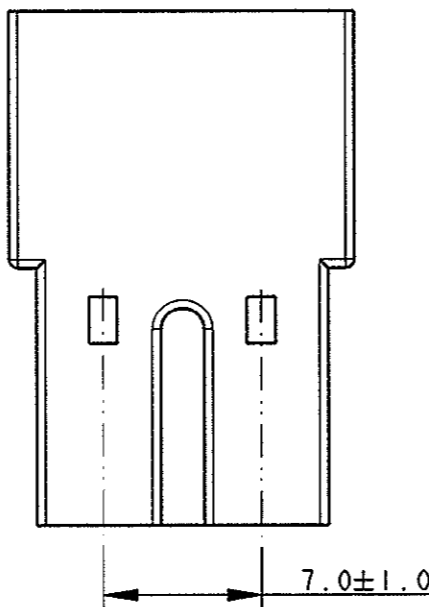
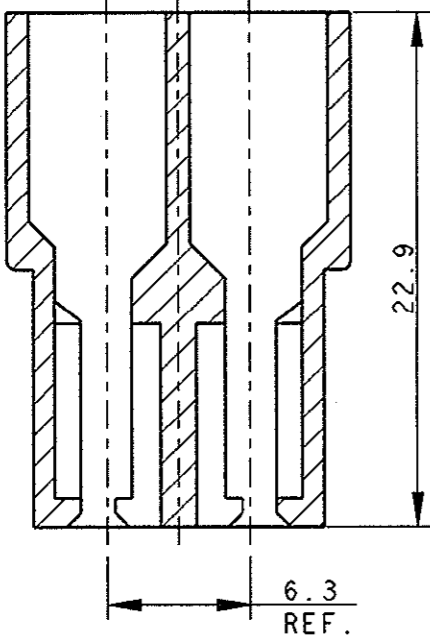
2002

© COPYRIGHT 2002 BY TYCO ELECTRONICS CORPORATION. ALL RIGHTS RESERVED.

LOC	DIST	REVISIONS					
		P	LTR	DESCRIPTION	DATE	DWN	APVD
1	-	P2		REDRAWN, ET00-0098-02	20 SEP 2002	HY	CT
		P3		ADDED 2-...-0, ET00-0041-03	24 MAR 2003	HY	CT
		P4		CLARIFIED, ET00-0118-03	11 JUL 2003	HY	CT
		P5		RELEASED -20, ET00-0090-04	29 APR 04	HY	CT
		P6		REVISED PER ECO-10-000445	09JAN10	KK	AEG



SECTION A - A

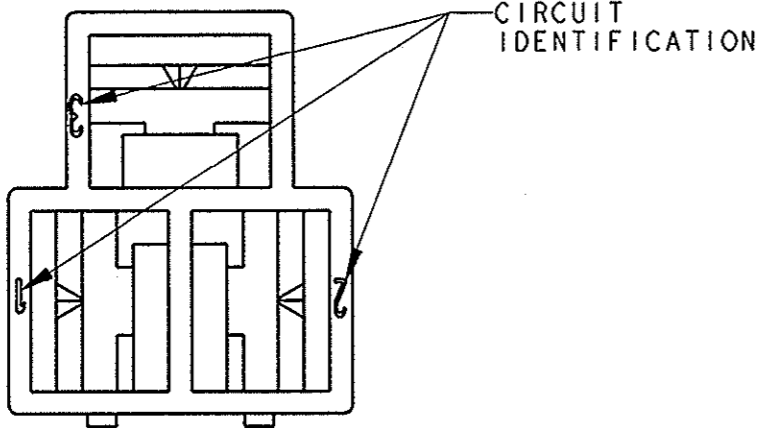


TIPICA CAVITA' PER TERMINALE TE AMP
 FASTIN-FASTON SR. 6.35 mm
 (TYPICAL CAVITY FOR TE AMP CONTACT
 FASTIN-FASTON .250" SRS.)

SCALE 1:1

- 1 PA 6.6 UNFILLED, UL 94-V2.
- 2 PA 6 UNFILLED, GLOW WIRE TEST AT 750°C
- 3 NON ANCORA RILASCIATO IN PRODUZIONE (NOT YET RELEASED FOR PRODUCTION)
- 4 OBSOLETE PARTS: OBSOLETE CIS STREAMLINING PER D.RENAUD/D.SINISI

4 OBSOLETE	NATURALE (NATURAL)	1	2-180941-0	P
	NATURALE (NATURAL)		1-180941-0	O
ARANCIONE (ORANGE)	0-180941-9		O	
VIOLA (VIOLET)	0-180941-8		O	
4 OBSOLETE	MARRONE (BROWN)		0-180941-6	P
NERO (BLACK)	0-180941-5		P	
GIALLO (YELLOW)	0-180941-4		O	
BLU (BLUE)	0-180941-3		O	
VERDE (GREEN)	0-180941-2		O	
4 OBSOLETE	ROSSO (RED)		0-180941-1	P
NATURALE (NATURAL)	0-180941-0	P		
NOTE	COLORE (COLOUR)	MATERIALE (MATERIAL)	P/N	REV



THIS DRAWING IS A CONTROLLED DOCUMENT FOR TYCO ELECTRONICS CORPORATION IT IS SUBJECT TO CHANGE AND THE CONTROLLING ENGINEERING ORGANIZATION SHOULD BE CONTACTED FOR THE LATEST REVISION.

DIMENSIONS: mm	TOLERANCES UNLESS OTHERWISE SPECIFIED:	DWN H. YAALI 24JUL2002		tyco Electronics AMP ITALIA S.p.A. Corso F.lli Cervi, 15 COLLEGNO (TO)	
0 PLC ±-	1 PLC ±0.3	CHK C. TARTARI		NAME	FASTIN-FASTON* Connector, .250" sr. REC HOUSING 3 WAY
2 PLC ±-	3 PLC ±-	APVD -	PRODUCT SPEC	SIZE	CAGE CODE
4 PLC ±-	ANGLES ±2°	APVD -	108-20020	A3	00779
MATERIAL SEE TABLE	FINISH -	APVD -	APPLICATION SPEC	DRAWING NO	RESTRICTED TO
		WEIGHT 2.3 g	-	C=180941	-
		CUSTOMER DRAWING	SCALE 3:1	SHEET 1 OF 1	REV P6