

4

3

2

1

THIS DRAWING IS UNPUBLISHED.

RELEASED FOR PUBLICATION

© COPYRIGHT BY TYCO ELECTRONICS CORPORATION.

ALL RIGHTS RESERVED.

LOC DW

DIST -

REVISIONS

P	LTR	DESCRIPTION	DATE	DWN	APVD
B		REVISED. (ECR-09-024966)	13NOV09	FY	WK

D

D

C

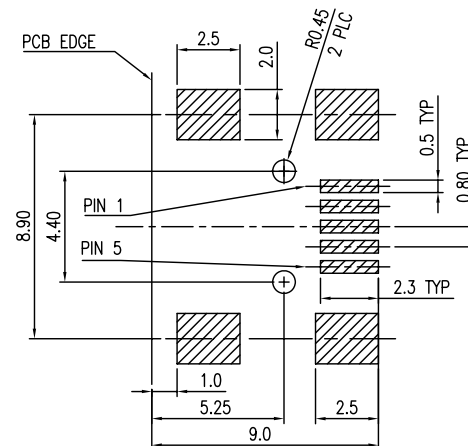
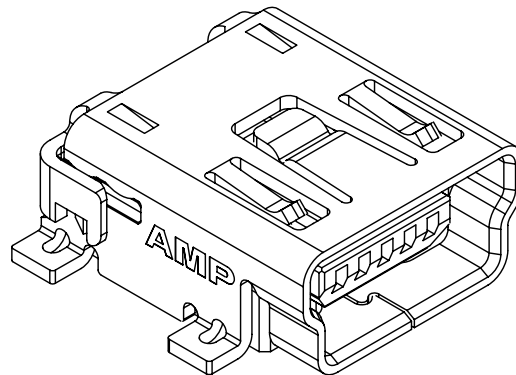
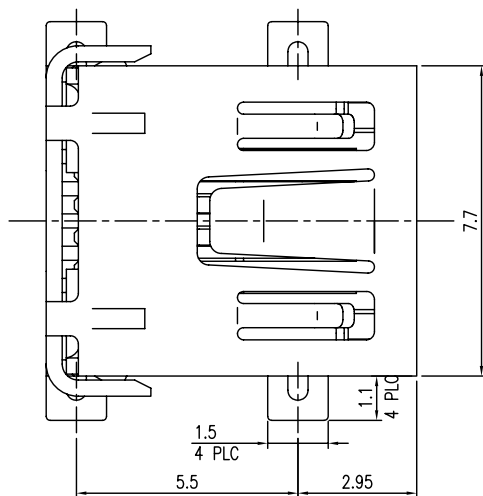
C

B

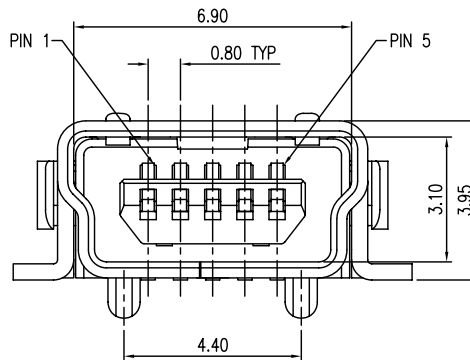
B

A

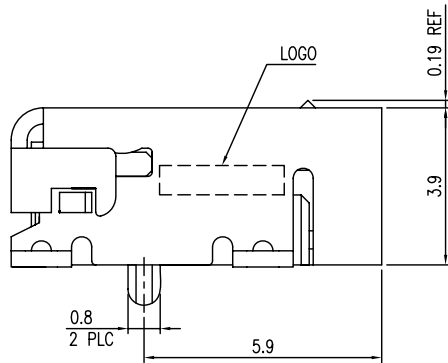
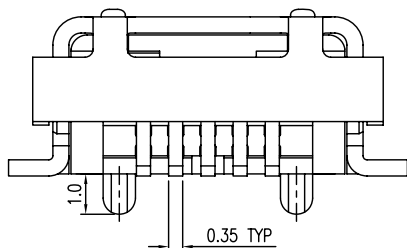
A



RECOMMENDED PCB LAYOUT (MOUNTING SIDE)
THICKNESS 1.57mm (TOLERANCE: ±0.05)



0.10
SOLDER TAILS
AND PEGS.



NOTE:

1. MATERIAL:

HOUSING: PA6T WITH 30% GF, UL 94V-0, BLACK COLOR.
CONTACTS: PHOSPHOR BRONZE.
SHELL: PHOSPHOR BRONZE.

2. FINISH:

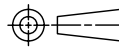
CONTACTS: 0.762µm [30µ"] MIN. GOLD PLATED ON CONTACT AREA,
 ▲ 2.54µm [100µ"] MIN. TIN-Cu ON SOLDER TAIL,
 ▲ 2.54µm [100µ"] MIN. MATTE-TIN ON SOLDER TAIL,
 ▲ 3.05µm [120µ"] MIN. MATTE-TIN ON SOLDER TAIL,
 WITH ENTIRE CONTACT UNDERPLATED 1.27µm [50µ"] MIN. NICKEL.
 SHELL: ▲ & ▲ 2.03µm [80µ"] MIN. NICKEL PLATED OVERALL.
 ▲ 0.76µm [30µ"] MIN. MATTE-TIN OVER 1.27µm [50µ"] MIN. NICKEL.

3. NO DATECODE ON PRODUCT SURFACE.

4. REFLOW SOLDER CAPABLE TO 245°C PER TE TEST SPEC.
109-201, CONDITION A.

THIS DRAWING IS A CONTROLLED DOCUMENT.

DIMENSIONS:
MM



MATERIAL SEE NOTE

TOLERANCES UNLESS OTHERWISE SPECIFIED:

0 PLC	± 0.38
1 PLC	± 0.25
2 PLC	± 0.13
3 PLC	± 0.05
4 PLC	±
ANGLES	± 3°

FINISH SEE NOTE

DWN O. HOU 21DEC2007

CHK S. HOU 21DEC2007

APVD W. KODAMA 21DEC2007

PRODUCT SPEC

108-57062

QUALIFICATION TEST REPORT

501-57070

WEIGHT --

CUSTOMER DRAWING



Tyco Electronics Corporation
Taipei, Taiwan

NAME

MINI USB, R/A, SMT, B TYPE

SIZE CAGE CODE DRAWING NO RESTRICTED TO

A3 00779 G=1734035

SCALE SHEET 1 OF 4 REV B

4

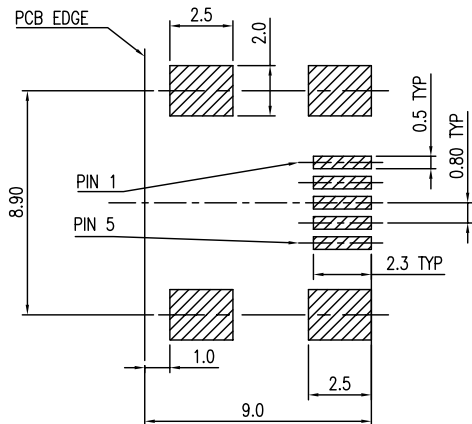
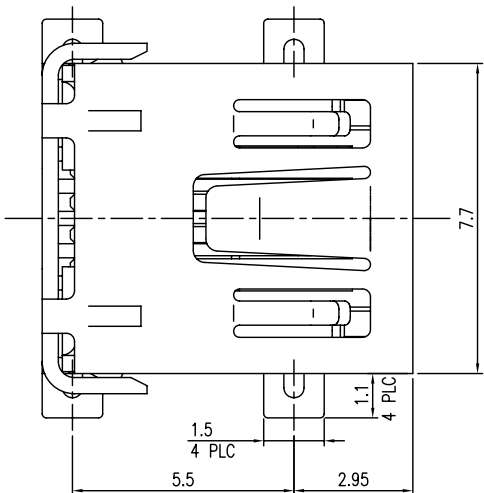
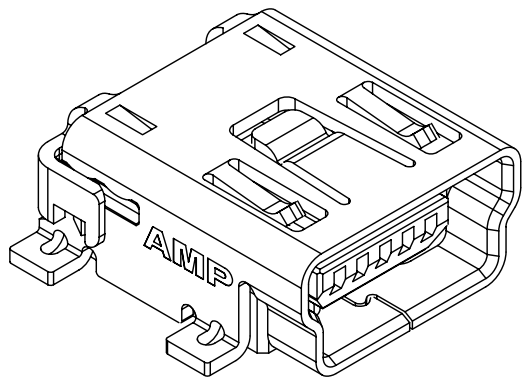
3

2

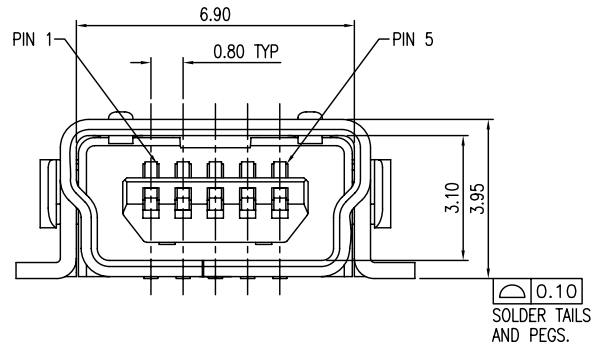
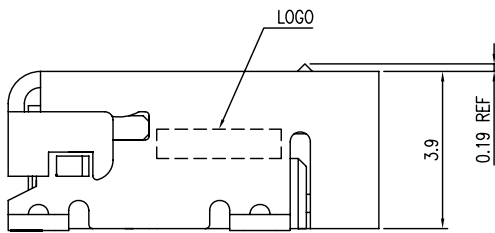
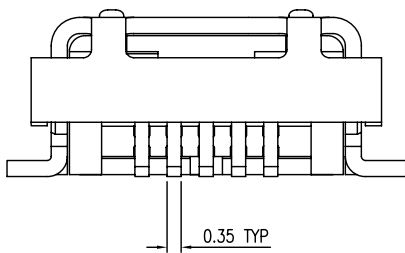
1

THIS DRAWING IS UNPUBLISHED. RELEASED FOR PUBLICATION
COPYRIGHT BY TYCO ELECTRONICS CORPORATION. ALL RIGHTS RESERVED.

LOC	DIST	REVISIONS			
P	LTR	DESCRIPTION	DATE	DWN	APVD
DW	-	SEE SHEET 1.			



RECOMMENDED PCB LAYOUT (MOUNTING SIDE)
THICKNESS 1.57mm (TOLERANCE:±0.05)



NOTE:

- MATERIAL:
HOUSING: PA6T WITH 30% GF, UL 94V-0, BLACK COLOR.
CONTACTS: PHOSPHOR BRONZE.
SHELL: PHOSPHOR BRONZE.
- FINISH:
CONTACTS: 0.762µm [30µ"] MIN. GOLD PLATED ON CONTACT AREA,
2.54µm [100µ"] MIN. TIN-Cu ON SOLDER TAIL, WITH
ENTIRE CONTACT UNDERPLATED 1.27µm [50µ"] MIN. NICKEL.
SHELL: 2.03µm [80µ"] MIN. NICKEL PLATED OVERALL.
- NO DATECODE ON PRODUCT SURFACE.
- REFLOW SOLDER CAPABLE TO 245°C PER TE TEST SPEC.
109-201, CONDITION A.

W/O	W/	TAPE REEL	W/O	1-1734035-3
W/O	W/O	TAPE REEL	W/O	1-1734035-2
	N/A	TRAY	W/O	1-1734035-1
MYLAR	LONG CARRIER & COVER TAPE	PACKAGE	POST	PART NUMBER

THIS DRAWING IS A CONTROLLED DOCUMENT.		DWN	Tyco Electronics Tyco Electronics Corporation Taipei, Taiwan	
DIMENSIONS: MM		CHK	NAME	
TOLERANCES UNLESS OTHERWISE SPECIFIED:		APVD	MINI USB, R/A, SMT, B TYPE	
0 PLC ± 0.38		PRODUCT SPEC	SIZE CAGE CODE DRAWING NO RESTRICTED TO	
1 PLC ± 0.25		APPLICATION SPEC	A3 00779 C=1734035	
2 PLC ± 0.13		WEIGHT	CUSTOMER DRAWING SCALE SHEET 2 OF 4 REV B	
3 PLC ± 0.05				
4 PLC ± -				
ANGLES ± 3'				
MATERIAL FINISH				

4

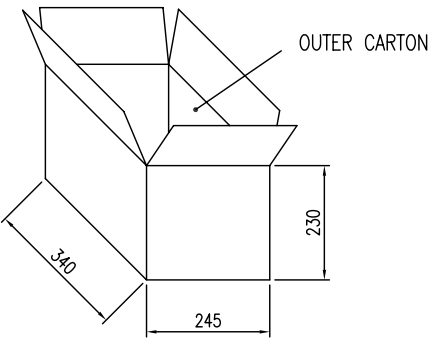
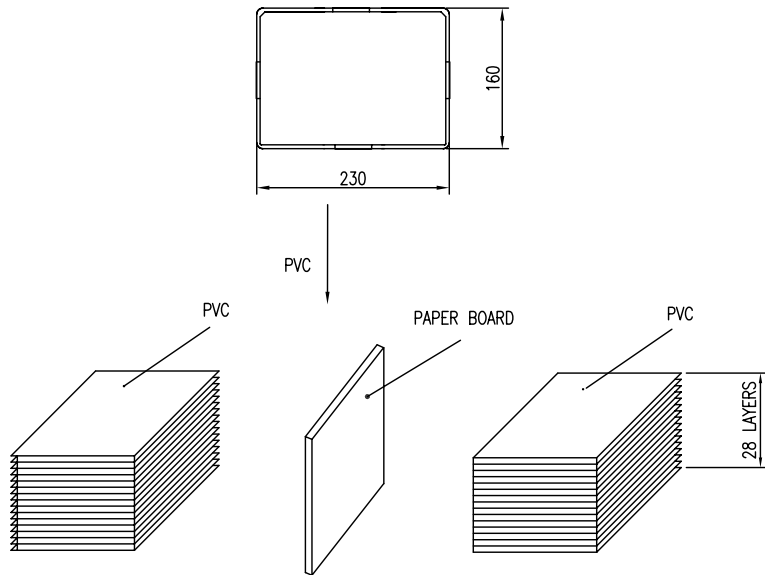
3

2

1

THIS DRAWING IS UNPUBLISHED. RELEASED FOR PUBLICATION
 © COPYRIGHT BY TYCO ELECTRONICS CORPORATION. ALL RIGHTS RESERVED.

LOC	DIST	REVISIONS					
DW	-	P	LTR	DESCRIPTION	DATE	DWN	APVD
				SEE SHEET 1.			



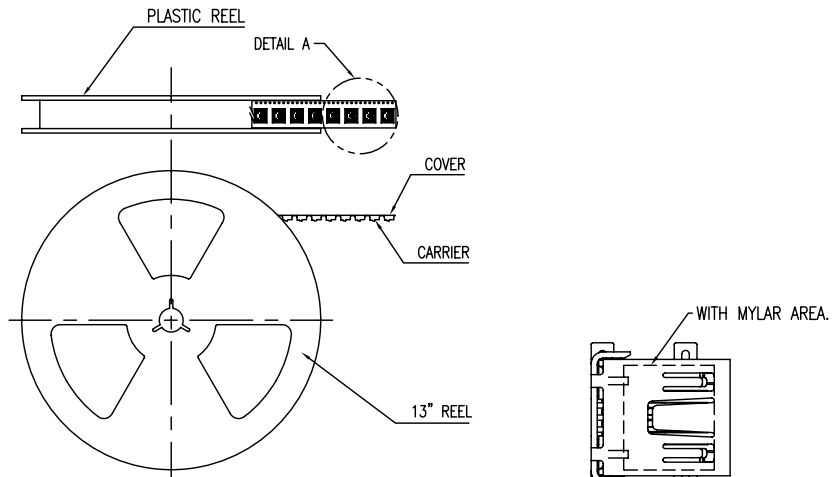
9.2 Kg	6.7 Kg	150	56	8400 PCS	2-1734035-1 1-1734035-1 1734035-1
GROSS WEIGHT	NET WEIGHT	PCS/TRAY	TRAYS / CARTON	QUANTITY	PART NUMBER

THIS DRAWING IS A CONTROLLED DOCUMENT.

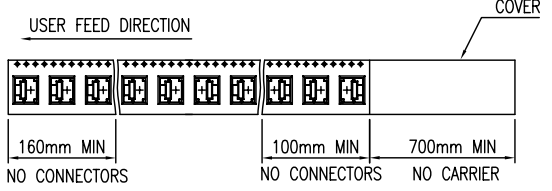
DIMENSIONS: MM	TOLERANCES UNLESS OTHERWISE SPECIFIED:	Tyco Electronics Corporation Taipei, Taiwan	
0 PLC ± - 1 PLC ± - 2 PLC ± - 3 PLC ± - 4 PLC ± - ANGLES ± -		MINI USB, R/A, SMT, B TYPE	
MATERIAL	FINISH	SIZE: A3 CAGE CODE: 00779 DRAWING NO: G=1734035	RESTRICTED TO
CUSTOMER DRAWING		SCALE: -	SHEET: 3 of 4 REV: B

THIS DRAWING IS UNPUBLISHED. RELEASED FOR PUBLICATION
 © COPYRIGHT BY TYCO ELECTRONICS CORPORATION. ALL RIGHTS RESERVED.

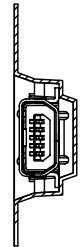
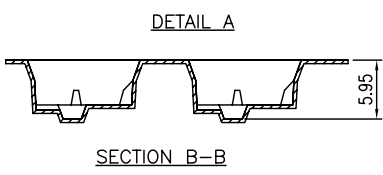
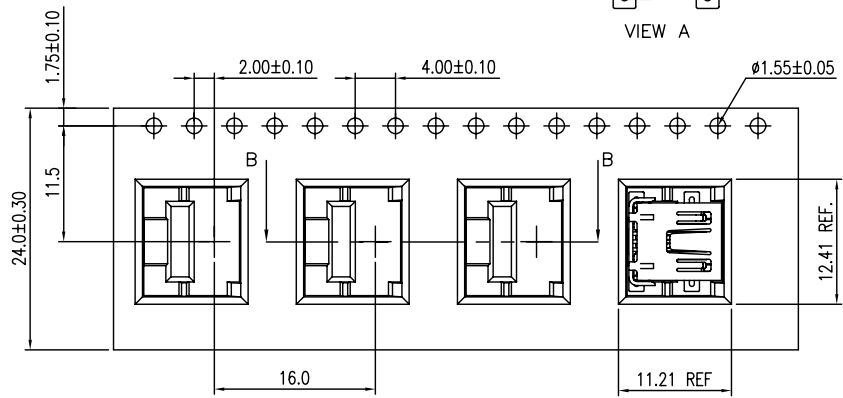
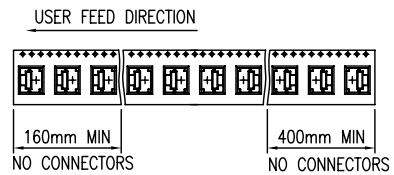
LOC	DIST	REVISIONS			
P	LTR	DESCRIPTION	DATE	DWN	APVD
DW	-	SEE SHEET 1.			



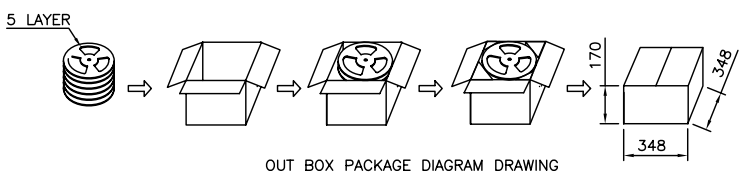
FOR 1734035-3, 1-1734035-3 AND 2-1734035-3 (LONG CARRIER & COVER TAPE)



FOR 1734035-2, 1734035-4, 1-1734035-2, 3-1734035-2, 2-1734035-2 AND 2-1734035-4



GROSS WEIGHT	NET WEIGHT	PCS/REER	REERS / CARTON	QUANTITY	MYLAR	LONG CARRIER & COVER TAPE	PART NUMBER
6.5 Kg	5.5 Kg	700	5	3500	W/O	W/O	3-1734035-2
					W/	W/O	2-1734035-4
					W/O	W/	2-1734035-3
					W/O	W/O	2-1734035-2
					W/O	W/	1-1734035-3
					W/	W/O	1-1734035-2
					W/O	W/	1734035-4
					W/O	W/	1734035-3
					W/O	W/O	1734035-2



THIS DRAWING IS A CONTROLLED DOCUMENT.

Tyco Electronics Tyco Electronics Corporation Taipei, Taiwan

NAME: MINI USB, R/A, SMT, B TYPE

SIZE: A3 CAGE CODE: 00779 C=1734035 DRAWING NO: 1734035

RESTRICTED TO: []

CUSTOMER DRAWING SCALE: [] SHEET: 4 OF 4 REV: B