

THIS DRAWING IS UNPUBLISHED. RELEASED FOR PUBLICATION
 © COPYRIGHT BY TYCO ELECTRONICS CORPORATION. ALL RIGHTS RESERVED.

LOC	DIST	REVISIONS						
		P	LTR	DESCRIPTION	ECN	DATE	DWN	APVD
			01	ADD SPEC (TUBE PACKAGE)	FK00-0168-04	13-SEP-04	Y.O	A.N
			A	ADD P/N & ADD SHEET & BASE DESIGN CHANGE	FK00-0033-05	01-FEB-05	H.S	A.N
			B	MODIFY STRUCTURE OF CASE CORE AND YOKE. AND USE NEW LOGO.	ECO-07-015714	16-JUN-07	FS.H	BH.Y
			B	REVIEW UP	ECO-08-028718	30-DEC-08	FS.H	BH.Y

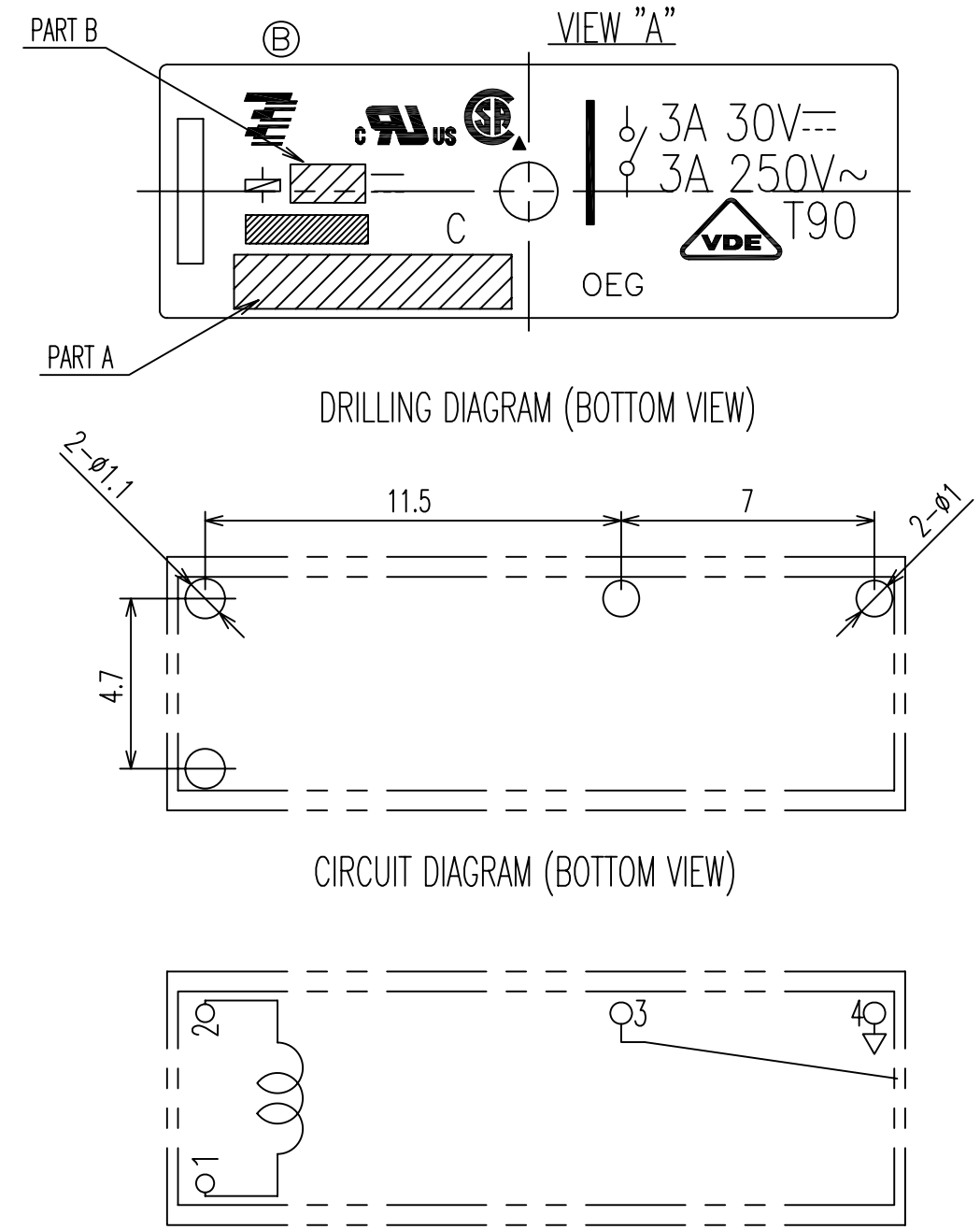
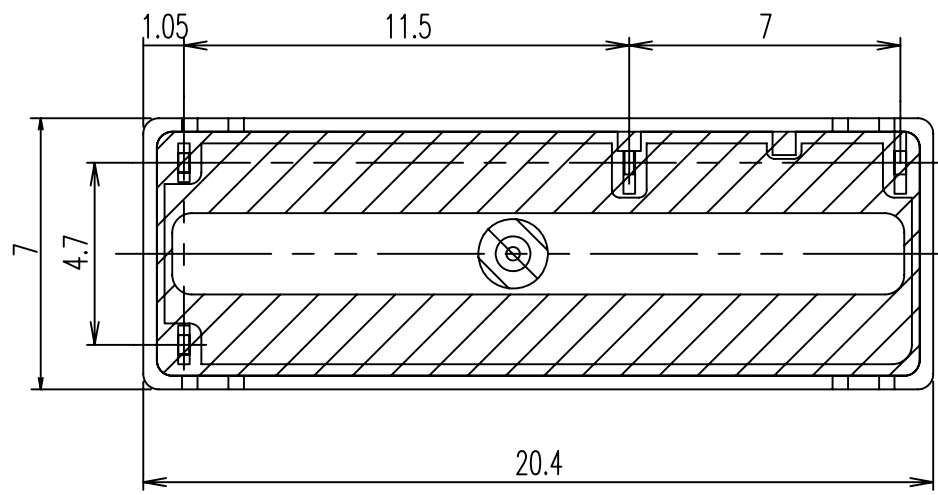
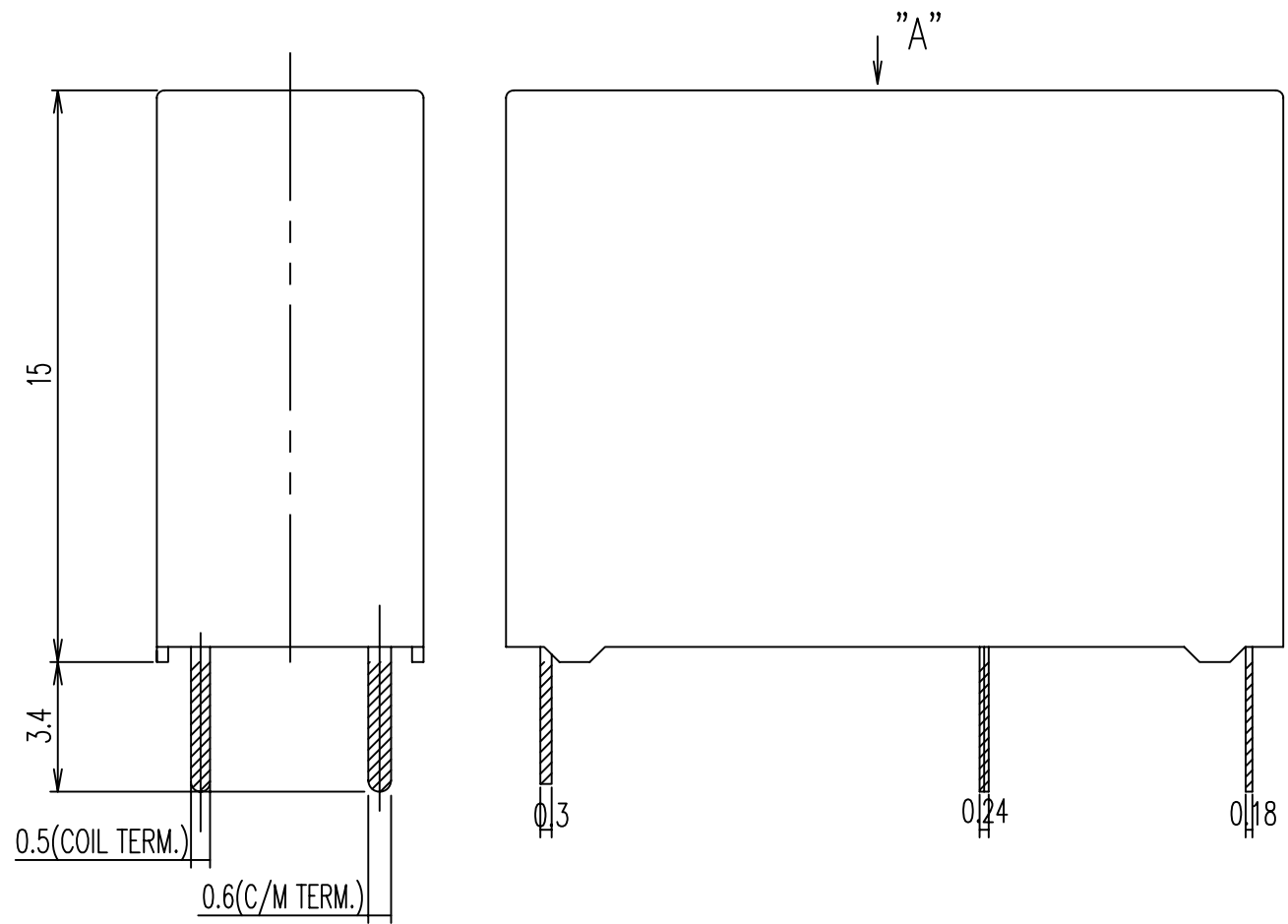


DIAGRAM DIMENSION	TOLERANCE
0.99mm max.	±0.1mm
1 - 2.99mm	±0.2mm
3mm min.	±0.3mm

THIS DRAWING IS A CONTROLLED DOCUMENT FOR TYCO ELECTRONICS CORPORATION
 IT IS SUBJECT TO CHANGE AND THE CONTROLLING ENGINEERING ORGANIZATION
 SHOULD BE CONTACTED FOR THE LATEST REVISION.

DIMENSIONS: mm

TOLERANCES UNLESS OTHERWISE SPECIFIED:

0 PLC ±
 1 PLC ±
 2 PLC ±
 3 PLC ±
 4 PLC ±
 ANGLES ±

MATERIAL FINISH

DWN	H.Sasaki	Tyco Electronics Corporation Shenzhen, China	
CHK	Y.Oikawa		
APVD	A.Nagai	NAME	
PRODUCT SPEC		PCJ SPEC ,301	
APPLICATION SPEC		SIZE	RESTRICTED TO
WEIGHT		A3	
CUSTOMER DRAWING		CAGE CODE	
		00779	
		DRAWING NO	
		1721081	
		SCALE	
		5:1	
		SHEET	
		1 OF 3	
		REV	
		B1	

4

3

2

1

THIS DRAWING IS UNPUBLISHED.

RELEASED FOR PUBLICATION

© COPYRIGHT

BY TYCO ELECTRONICS CORPORATION. ALL RIGHTS RESERVED.

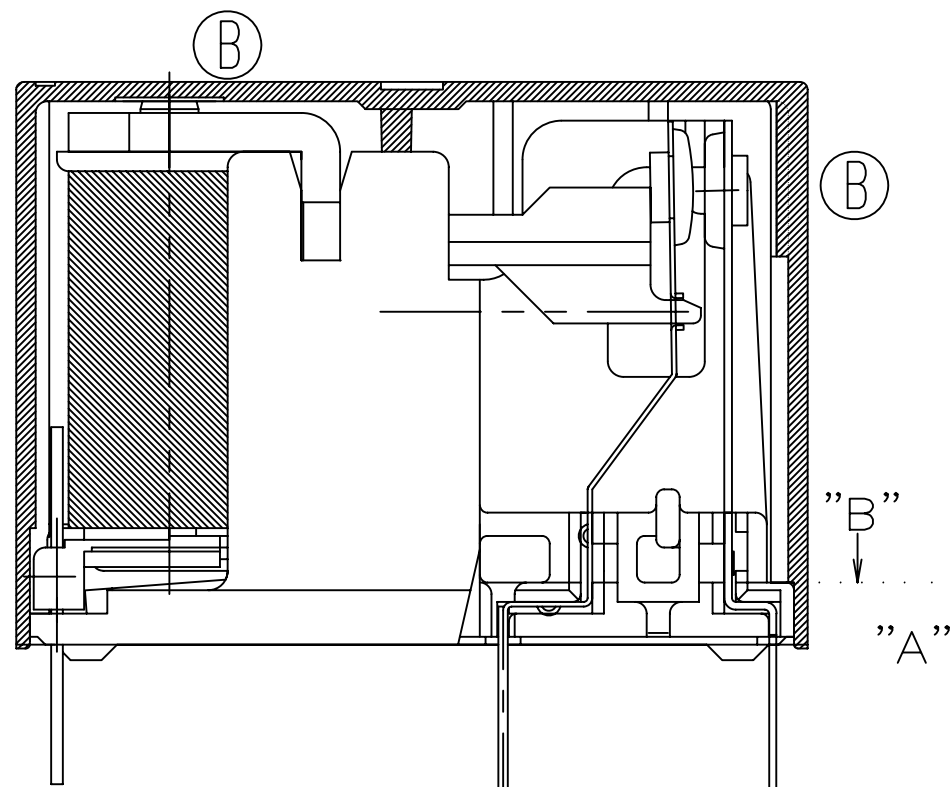
LOC
HB

DIST

REVISIONS

P	LTR	DESCRIPTION	ECN	DATE	DWN	APVD

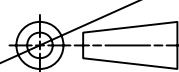
ⓑ CHANGE CASE,CORE,YOKE : REV_A ==> B



THIS DRAWING IS A CONTROLLED DOCUMENT FOR TYCO ELECTRONICS CORPORATION
IT IS SUBJECT TO CHANGE AND THE CONTROLLING ENGINEERING ORGANIZATION
SHOULD BE CONTACTED FOR THE LATEST REVISION.

DIMENSIONS:

mm



TOLERANCES UNLESS
OTHERWISE SPECIFIED:

- 0 PLC ±
- 1 PLC ±
- 2 PLC ±
- 3 PLC ±
- 4 PLC ±
- ANGLES ±

MATERIAL

FINISH

DWN

CHK

APVD

PRODUCT SPEC

APPLICATION SPEC

WEIGHT

CUSTOMER DRAWING



Tyco Electronics Corporation
Shenzhen, China

NAME

PCJ SPEC ,301

SIZE

A3

CAGE CODE

00779

DRAWING NO

1721081

RESTRICTED TO

SCALE 5:1

SHEET 2 OF 3

REV B1

4

3

2

1

THIS DRAWING IS UNPUBLISHED.

RELEASED FOR PUBLICATION

© COPYRIGHT

BY TYCO ELECTRONICS CORPORATION. ALL RIGHTS RESERVED.

LOC
HB

DIST

REVISIONS

P	LTR	DESCRIPTION	ECN	DATE	DWN	APVD

①

N	PCJ-124D3MH ,301S	2-1721081-8	107-79053 (TUBE)	24V	PCJ-124D3MH
M	PCJ-118D3MH ,301S	2-1721081-7	107-79053 (TUBE)	18V	PCJ-118D3MH
L	PCJ-112D3MH ,301S	2-1721081-6	107-79053 (TUBE)	12V	PCJ-112D3MH
K	PCJ-109D3MH ,301S	2-1721081-5	107-79053 (TUBE)	9V	PCJ-109D3MH
J	PCJ-106D3MH ,301S	2-1721081-4	107-79053 (TUBE)	6V	PCJ-106D3MH
I	PCJ-105D3MH ,301S	2-1721081-3	107-79053 (TUBE)	5V	PCJ-105D3MH
H	PCJ-103D3MH ,301S	2-1721081-2	107-79053 (TUBE)	3V	PCJ-103D3MH
G	PCJ-124D3M ,301S	2-1721081-1	107-79053 (TUBE)	24V	PCJ-124D3M
F	PCJ-118D3M ,301S	2-1721081-0	107-79053 (TUBE)	18V	PCJ-118D3M
E	PCJ-112D3M ,301S	1-1721081-9	107-79053 (TUBE)	12V	PCJ-112D3M
D	PCJ-109D3M ,301S	1-1721081-8	107-79053 (TUBE)	9V	PCJ-109D3M
C	PCJ-106D3M ,301S	1-1721081-7	107-79053 (TUBE)	6V	PCJ-106D3M
B	PCJ-105D3M ,301S	1-1721081-6	107-79053 (TUBE)	5V	PCJ-105D3M
A	PCJ-103D3M ,301S	1-1721081-5	107-79053 (TUBE)	3V	PCJ-103D3M
n	PCJ-124D3MH ,301	1-1721081-4	107-79014 (TRAY)	24V	PCJ-124D3MH
m	PCJ-118D3MH ,301	1-1721081-3	107-79014 (TRAY)	18V	PCJ-118D3MH
l	PCJ-112D3MH ,301	1-1721081-2	107-79014 (TRAY)	12V	PCJ-112D3MH
k	PCJ-109D3MH ,301	1-1721081-1	107-79014 (TRAY)	9V	PCJ-109D3MH
j	PCJ-106D3MH ,301	1-1721081-0	107-79014 (TRAY)	6V	PCJ-106D3MH
i	PCJ-105D3MH ,301	1721081-9	107-79014 (TRAY)	5V	PCJ-105D3MH
h	PCJ-103D3MH ,301	1721081-8	107-79014 (TRAY)	3V	PCJ-103D3MH
g	PCJ-124D3M ,301	1721081-7	107-79014 (TRAY)	24V	PCJ-124D3M
f	PCJ-118D3M ,301	1721081-6	107-79014 (TRAY)	18V	PCJ-118D3M
e	PCJ-112D3M ,301	1721081-5	107-79014 (TRAY)	12V	PCJ-112D3M
d	PCJ-109D3M ,301	1721081-4	107-79014 (TRAY)	9V	PCJ-109D3M
c	PCJ-106D3M ,301	1721081-3	107-79014 (TRAY)	6V	PCJ-106D3M
b	PCJ-105D3M ,301	1721081-2	107-79014 (TRAY)	5V	PCJ-105D3M
a	PCJ-103D3M ,301	1721081-1	107-79014 (TRAY)	3V	PCJ-103D3M
No	DESCRIPTION	TE PART NO	PACKING SPECIFICATION	PART B	PART A

RELAY TYPE

Ⓐ

nn	PCJ-124D3MH ,301M	4-1721081-2	107-79048 (TUBE)	24V	PCJ-124D3MH
mm	PCJ-118D3MH ,301M	4-1721081-1	107-79048 (TUBE)	18V	PCJ-118D3MH
ll	PCJ-112D3MH ,301M	4-1721081-0	107-79048 (TUBE)	12V	PCJ-112D3MH
kk	PCJ-109D3MH ,301M	3-1721081-9	107-79048 (TUBE)	9V	PCJ-109D3MH
jj	PCJ-106D3MH ,301M	3-1721081-8	107-79048 (TUBE)	6V	PCJ-106D3MH
ii	PCJ-105D3MH ,301M	3-1721081-7	107-79048 (TUBE)	5V	PCJ-105D3MH
hh	PCJ-103D3MH ,301M	3-1721081-6	107-79048 (TUBE)	3V	PCJ-103D3MH
gg	PCJ-124D3M ,301M	3-1721081-5	107-79048 (TUBE)	24V	PCJ-124D3M
ff	PCJ-118D3M ,301M	3-1721081-4	107-79048 (TUBE)	18V	PCJ-118D3M
ee	PCJ-112D3M ,301M	3-1721081-3	107-79048 (TUBE)	12V	PCJ-112D3M
dd	PCJ-109D3M ,301M	3-1721081-2	107-79048 (TUBE)	9V	PCJ-109D3M
cc	PCJ-106D3M ,301M	3-1721081-1	107-79048 (TUBE)	6V	PCJ-106D3M
bb	PCJ-105D3M ,301M	3-1721081-0	107-79048 (TUBE)	5V	PCJ-105D3M
aa	PCJ-103D3M ,301M	2-1721081-9	107-79048 (TUBE)	3V	PCJ-103D3M
No	DESCRIPTION	TE PART NO	PACKING SPECIFICATION	PART B	PART A

Ⓐ RELAY TYPE

		Sn-Ag-Cu	SOLDER	18
94V-0		PBT	CASE	17
		UV	SEAL(BASE)	16
		EPOXY	SEAL(CASE AND BASE)	15
		3UEW	MAGNETIC WIRE	14
94V-0		PBT	CARD	13
		Ag ALLOY	STATIONARY CONTACT	12
	SOLDER DIP	Cu ALLOY	STATIONARY TERMINAL	11
		Ag ALLOY	MOVABLE CONTACT	10
	SOLDER DIP	Cu ALLOY	MOVABLE SPRING	9
94V-0		PBT	BASE	8
		STAINLESS	HINGE SPRING	7
	NIP	STEEL	ARMATURE	6
	NIP	STEEL	CORE	5
	NIP	STEEL	YOKE	4
	SOLDER DIP	Cu ALLOY	COIL TERMINAL B	3
	SOLDER DIP	Cu ALLOY	COIL TERMINAL A	2
94V-0		PBT	BOBBIN	1
INCOMBUSTIBILITY	TREATMENT	MATERIAL	DESCRIPTION	ITEM

THIS DRAWING IS A CONTROLLED DOCUMENT FOR TYCO ELECTRONICS CORPORATION IT IS SUBJECT TO CHANGE AND THE CONTROLLING ENGINEERING ORGANIZATION SHOULD BE CONTACTED FOR THE LATEST REVISION.

DIMENSIONS: mm		TOLERANCES UNLESS OTHERWISE SPECIFIED:	
		0 PLC	±
		1 PLC	±
		2 PLC	±
		3 PLC	±
MATERIAL		FINISH	

DWN		Tyco Electronics Tyco Electronics Corporation Shenzhen, China	
CHK		NAME PCJ SPEC ,301	
APVD		SIZE	CAGE CODE
PRODUCT SPEC		A3	00779
APPLICATION SPEC		DRAWING NO	RESTRICTED TO
WEIGHT		©-	1721081
CUSTOMER DRAWING		SCALE	SHEET
		5:1	3 OF 3
		REV	B1