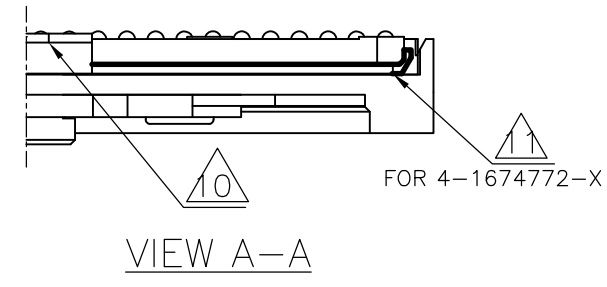


THIS DRAWING IS UNPUBLISHED. RELEASED FOR PUBLICATION 2001.  
 © COPYRIGHT 2001 BY TYCO ELECTRONICS CORPORATION. ALL RIGHTS RESERVED.

# 1674772-1:AS SHOWN (REMOVAL MASK TAPE)

LOC		DIST		REVISIONS			
P	LTR	DESCRIPTION	DATE	DWN	APVD		
N		REVISED ECR-06-025231	10APR07	C.D	H.S		

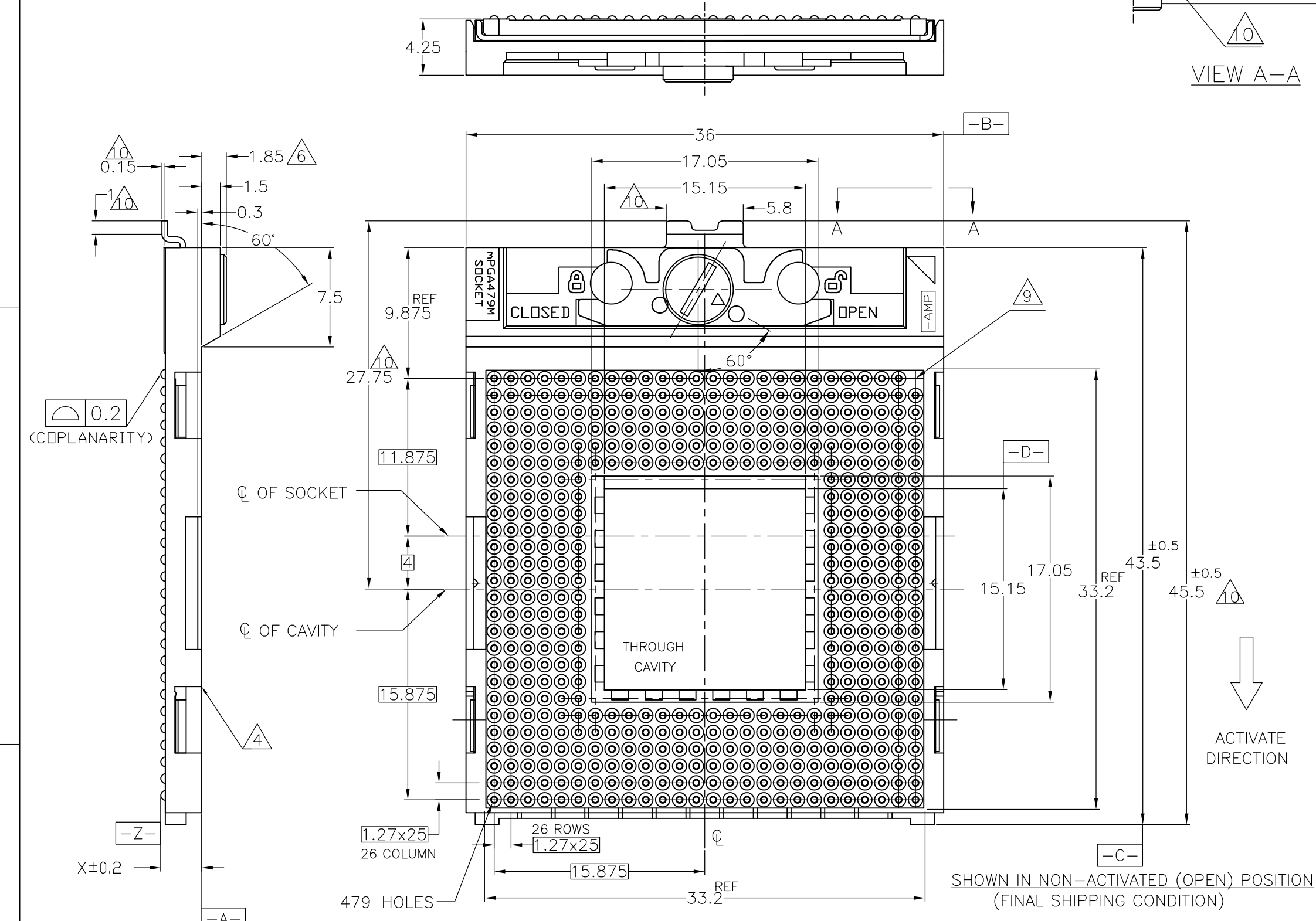


D

C

B

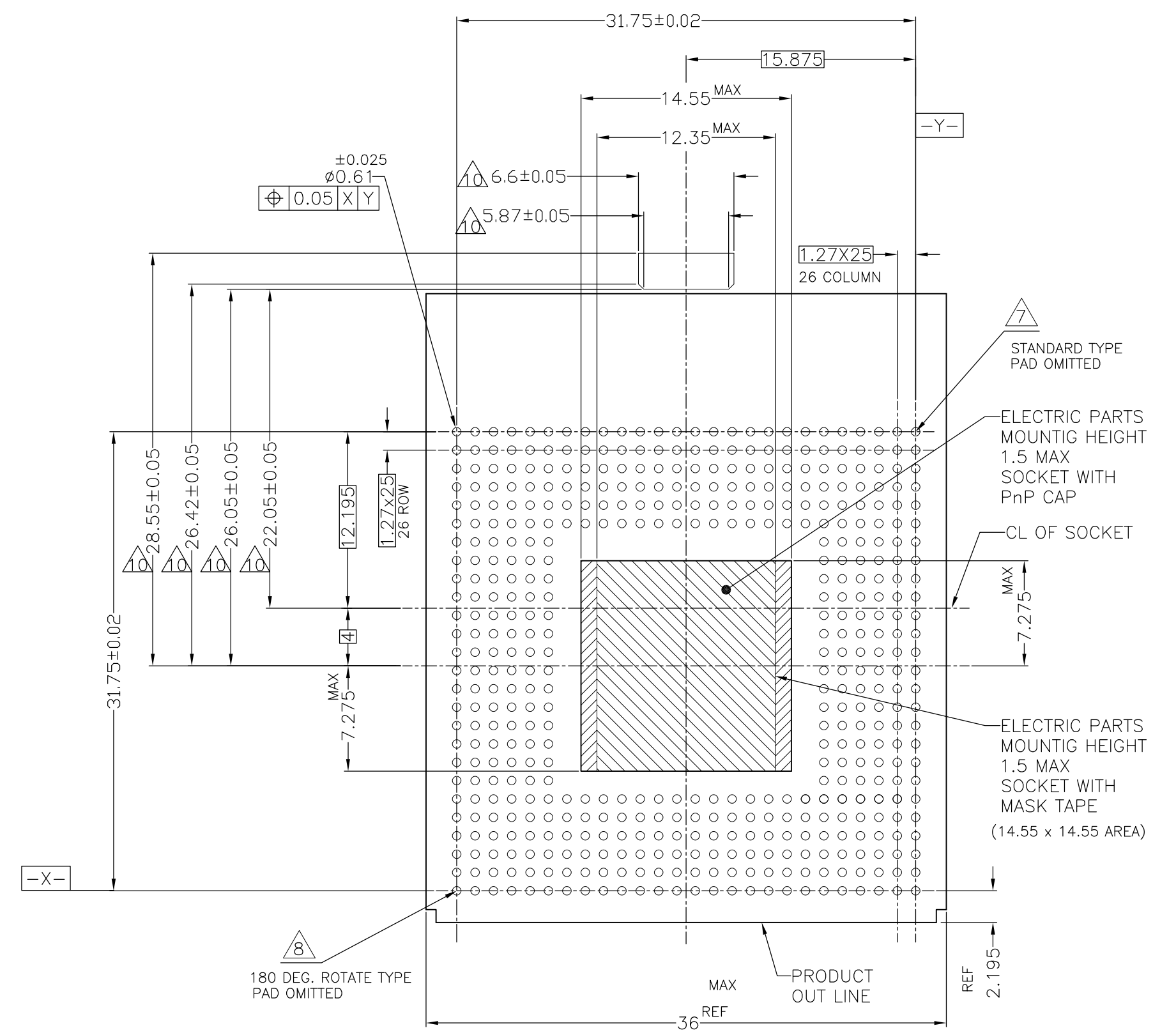
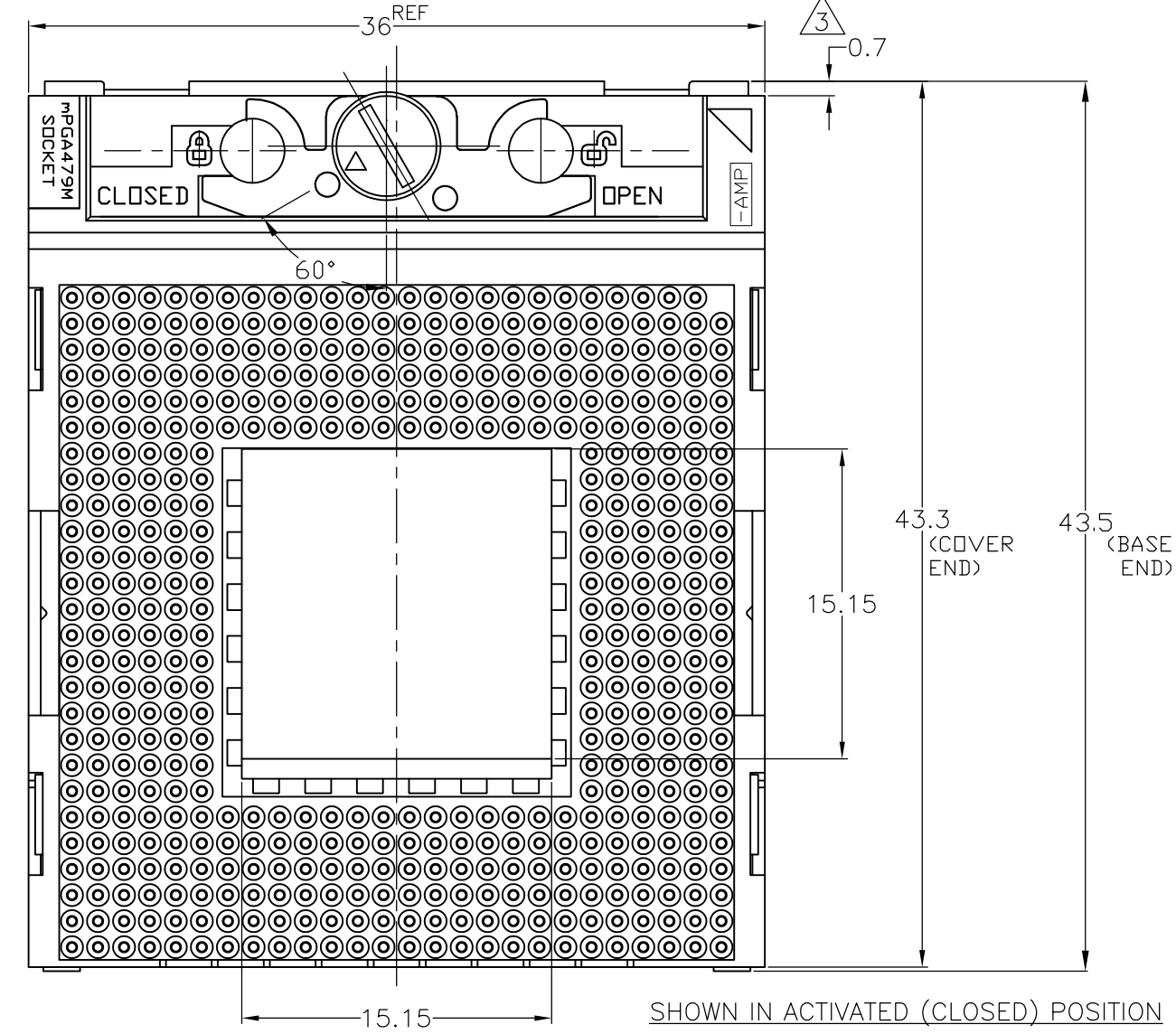
A



B

A

X	
3.1	BEFORE SOLDERING PROCESS
3.0	AFTER SOLDERING PROCESS

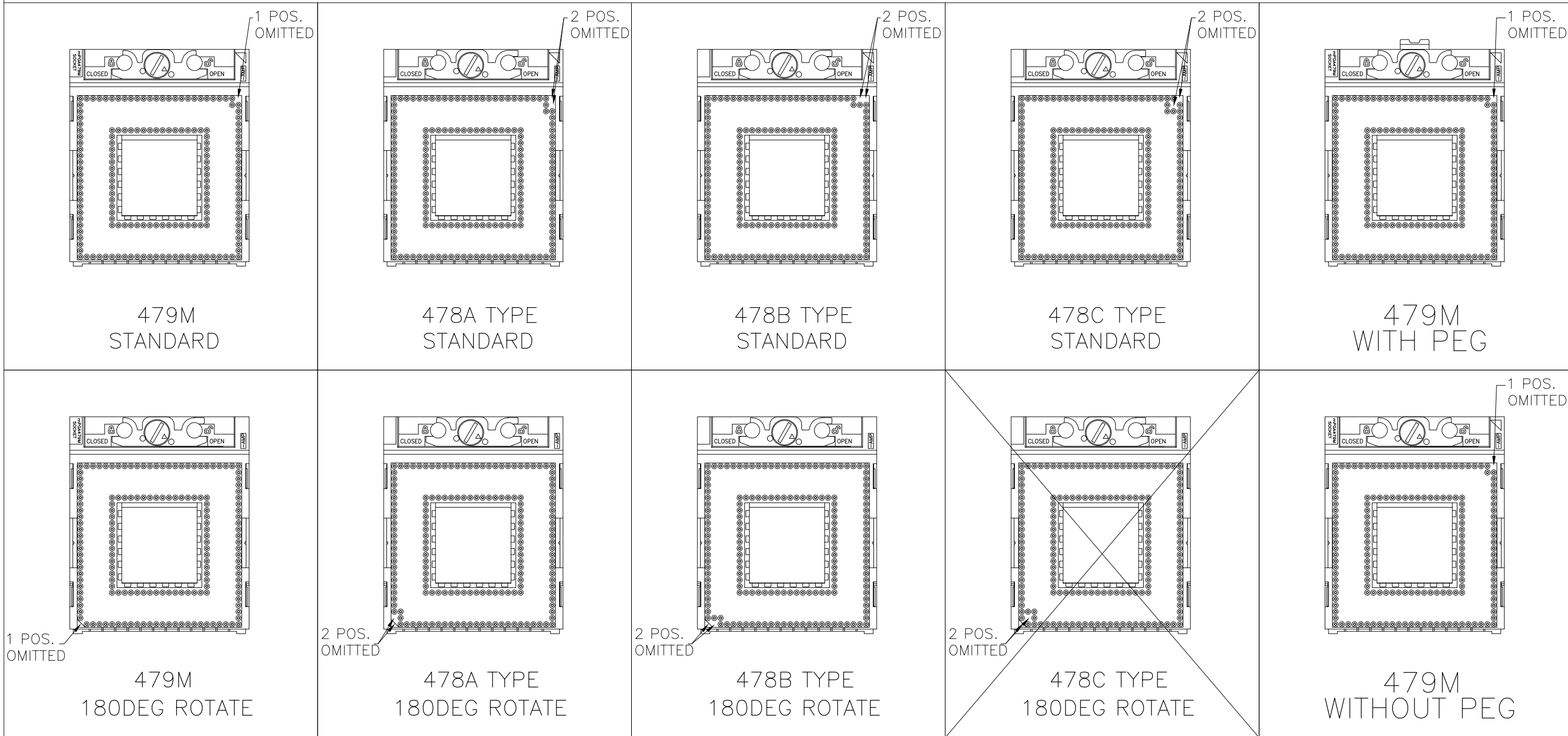


THIS DRAWING IS A CONTROLLED DOCUMENT.		DWN A.KUBO 20JAN03	 Tyco Electronics Corporation kawasaki, japan
DIMENSIONS: MM		CHK S.ABE 21JAN03	
TOLERANCES UNLESS OTHERWISE SPECIFIED:		APVD H.SHIRAI 21JAN03	NAME
0 PLC ±		PRODUCT SPEC	mPGA47X SOCKET
1 PLC ±		108-5744	3mm HEIGHT CAM TYPE
2 PLC ±		APPLICATION SPEC INSTRUCTION SHEET	LEAD FREE BALL
3 PLC ±		411-5983	SIZE
4 PLC ±		WEIGHT	CAGE CODE
ANGLES ±		CUSTOMER DRAWING	DRAWING NO
FINISH		A2	00779
		SCALE	NTS
		SHEET	1 OF 3
		REV	N

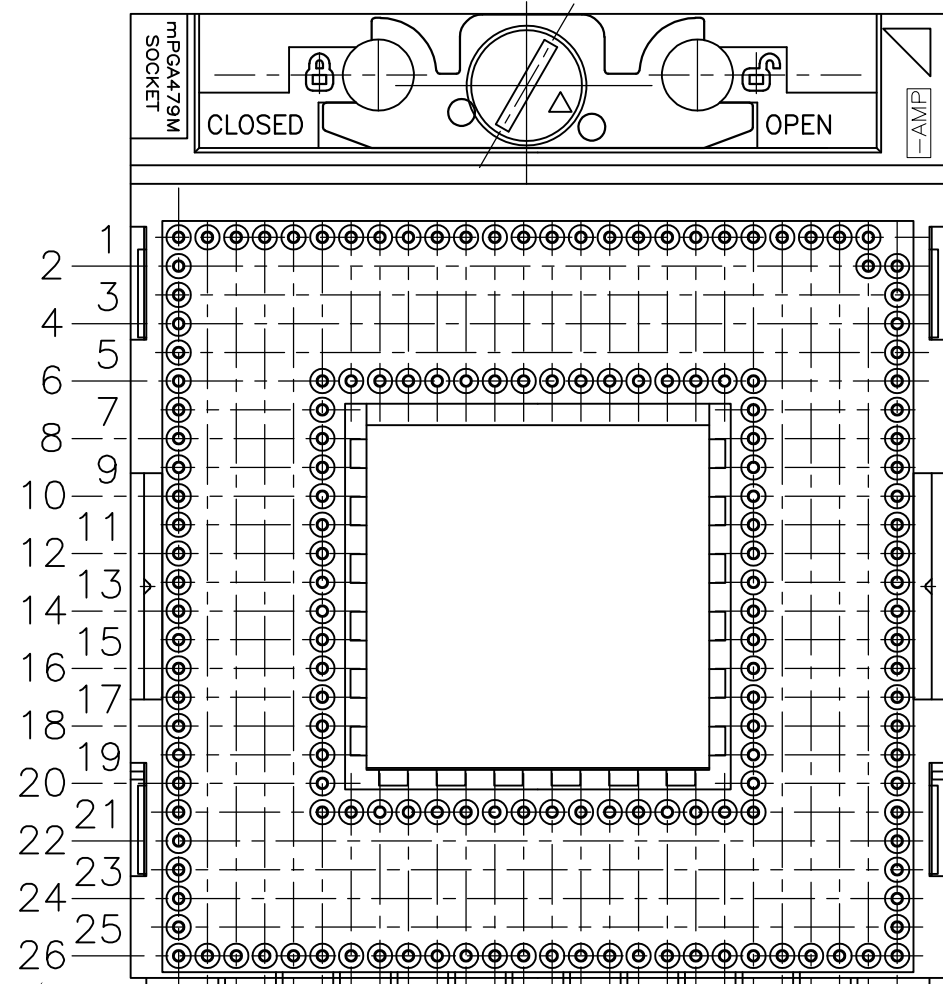
1674772

LOC		DIST		REVISIONS			
P	LTR	DESCRIPTION	DATE	DWN	APVD		
-	-	SEE SHEET 1	-	-	-		

### SOCKET TYPE VARIATIONS



- NOTES
- △ MATERIAL : BASE HSG : HIGHT TEMP,THEMO PLASTIC UL94V-0  
 COVER HSG : HIGHT TEMP,THEMO PLASTIC UL94V-0  
 CONTACT : COPPER ALLOY  
 OTHERS : STAINLESS STEEL & CARBON STEEL  
 LEAD FREE BALL : Sn-Ag-Cu
  - △ FINISH : CONTACT : GOLD PL. NICKEL UNDER PL.  
 (AT CONTACT AREA)
  - △ COVER HSG ACTUATION DISTANCE : 0.7mm
  - △ CAM ROTATION ANGLE (OPEN-CLOSE) : 120 DEGREES
  - △ THE PGA SURFACE TOUCHES WITH THE MOUNTING SURFACE OF THE SOCKET.
  - 5 GENERAL TOLERANCE :  
 $\geq 10$  :  $\pm 0.2$   
 $30 \geq >10$  :  $\pm 0.25$   
 $100 \geq >30$  :  $\pm 0.3$   
 ANGLE :  $\pm 3^\circ$
  - △ EXCEPT FOR MASK TAPE THK.
  - △ LEAD FREE BALL PAD OMITTED.(STANDARD)
  - △ LEAD FREE BALL PAD OMITTED.(180 DEG. ROTATE)
  - △ COVER HOLE OMITTED.(SEE TABLE)
  - △ APPLICABLE TO 4-1674772-1,4-1674772-2
  - △ METAL PARTS



CIRCUIT SYMBOLS (1~26)

AF AD AB Y V T P M K H F D B  
 AE AC AA W U R N L J G E C A

CIRCUIT SYMBOLES

CIRCUIT SYMBOLS (A~AF)


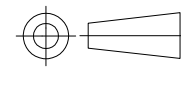
PICK AND PLACE PART DIFFERENCE			
MASK TAPE (50 MICRO)	MASK TAPE (75 MICRO)	CAP	MASK TAPE(CENTER OPENED) (50 MICRO)
WEIGHT:6.4(g)	WEIGHT:6.4(g)	WEIGHT:7.8(g)	WEIGHT:6.4(g)

THIS DRAWING IS A CONTROLLED DOCUMENT.		DWN	Tyco Electronics Corporation kawasaki, japan	
DIMENSIONS: MM	TOLERANCES UNLESS OTHERWISE SPECIFIED	CHK	NAME	
	0 PLC ± 1 PLC ± 2 PLC ± 3 PLC ± 4 PLC ± ANGLES ± FINISH ±	APVD	mPGA47X SOCKET 3mm HEIGHT CAM TYPE LEAD FREE BALL	
MATERIAL		PRODUCT SPEC	SIZE	RESTRICTED TO
		APPLICATION SPEC INSTRUCTION SHEET	A2	
		WEIGHT	CAGE CODE	
		CUSTOMER DRAWING	00779	
			DRAWING NO	
			C=1674772	
			SCALE	
			NTS	
			SHEET	
			2 OF 3	
			REV	
			N	

THIS DRAWING IS UNPUBLISHED. RELEASED FOR PUBLICATION 2001.  
 © COPYRIGHT 2001 BY TYCO ELECTRONICS CORPORATION. ALL RIGHTS RESERVED.

LOC		DIST		REVISIONS			
P	LTR	DESCRIPTION	DATE	DWN	APVD		
-	-	SEE SHEET 1	-	-	-		

WITH MASK TAPE (75 MICRO)	TAPE & REEL (PITCH 56mm)	AE26, AF26	478B 180 DEG ROTATE	7-1674772-2	7-1674770-2
WITH MASK TAPE (75 MICRO)	TAPE & REEL (PITCH 56mm)	AF25, AF26	478A 180 DEG ROTATE	6-1674772-2	6-1674770-2
WITH MASK TAPE (75 MICRO)	TAPE & REEL (PITCH 56mm)	AF26	479M 180 DEG ROTATE	5-1674772-2	5-1674770-2
WITH CAP	HARD TRAY	A1	479M WO/PEG	4-1674772-4	4-1674770-4
WITH MASK TAPE (50 MICRO)	HARD TRAY	A1		4-1674772-3	4-1674770-3
WITH CAP	HARD TRAY	A1		4-1674772-2	4-1674770-2
WITH MASK TAPE (50 MICRO)	HARD TRAY	A1		4-1674772-1	4-1674770-1
WITH CAP	HARD TRAY	A1, B2	478C STANDARD	3-1674772-3	3-1674770-9
WITH MASK TAPE (75 MICRO)	HARD TRAY	A1, B2		3-1674772-2	3-1674770-8
WITH MASK TAPE (75 MICRO)	TAPE & REEL (PITCH 56mm)	A1, B2	478B STD, BLACK	3-1674772-2	3-1674770-2
WITH CAP	HARD TRAY	A1, B1		2-1674772-9	2-1674770-9
WITH CAP	HARD TRAY	A1, B1	478B STD, PURPLE	2-1674772-6	2-1674770-6
WITH MASK TAPE (75 MICRO)	HARD TRAY	A1, B1		2-1674772-4	2-1674770-5
WITH MASK TAPE (75 MICRO)	TAPE & REEL (PITCH 56mm)	A1, B1	478B STANDARD	2-1674772-4	2-1674770-4
WITH MASK TAPE (75 MICRO)	TAPE & REEL (PITCH 56mm)	A1, B1		2-1674772-2	2-1674770-2
WITH MASK TAPE (50 MICRO)	TAPE & REEL (PITCH 56mm)	A1, B1	478A STD, Yellow	2-1674772-1	2-1674770-1
WITH CAP	TAPE & REEL (PITCH 56mm)	A1, A2		1-1674772-5	4-1674770-7
WITH MASK TAPE (75 MICRO)	TAPE & REEL (PITCH 56mm)	A1, A2	478A STANDARD	1-1674772-4	4-1674770-6
WITH MASK TAPE (75 MICRO)	TAPE & REEL (PITCH 56mm)	A1, A2		1-1674772-2	1-1674770-2
WITH MASK TAPE CENTER OPENED (50 MICRO)	HARD TRAY	A1	479M STANDARD	4-1674772-5	4-1674770-5
WITH CAP	HARD TRAY	A1		1674772-3	1674770-9
WITH MASK TAPE (75 MICRO)	HARD TRAY	A1		1674772-2	1674770-8
WITH MASK TAPE (50 MICRO)	HARD TRAY	A1		1674772-1	1674770-7
WITH CAP	TAPE & REEL (PITCH 48mm)	A1		1674772-3	1674770-6
WITH MASK TAPE (75 MICRO)	TAPE & REEL (PITCH 48mm)	A1		1674772-2	1674770-5
WITH MASK TAPE (50 MICRO)	TAPE & REEL (PITCH 48mm)	A1		1674772-1	1674770-4
WITH CAP	TAPE & REEL (PITCH 56mm)	A1		1674772-3	1674770-3
WITH MASK TAPE (75 MICRO)	TAPE & REEL (PITCH 56mm)	A1		1674772-2	1674770-2
WITH MASK TAPE (50 MICRO)	TAPE & REEL (PITCH 56mm)	A1		1674772-1	1674770-1
REMARKS	PACKAGE TYPE	△ OMITTED CIRCUIT	VERSION & TYPE	NONSALEABLE P/NS (NO PACKING) INTERNAL P/NS AND ARE FOR REF. ONLY	SALEABLE P/NS (SOCKET WITH PACKING) SEE 1674770 DRAWING

THIS DRAWING IS A CONTROLLED DOCUMENT.		DWN	 Tyco Electronics Corporation kawasaki, japan	
DIMENSIONS: MM		CHK	NAME	
		APVD	mPGA47X SOCKET 3mm HEIGHT CAM TYPE LEAD FREE BALL	
TOLERANCES UNLESS OTHERWISE SPECIFIED:		PRODUCT SPEC	SIZE	CAGE CODE
0 PLC ±	1 PLC ±	APPLICATION SPEC INSTRUCTION SHEET	A2	00779
2 PLC ±	3 PLC ±	WEIGHT	DRAWING NO C=1674772	
4 PLC ±	ANGLES ±	CUSTOMER DRAWING	SCALE	SHEET 3 OF 3
FINISH			NTS	REV N

1674772