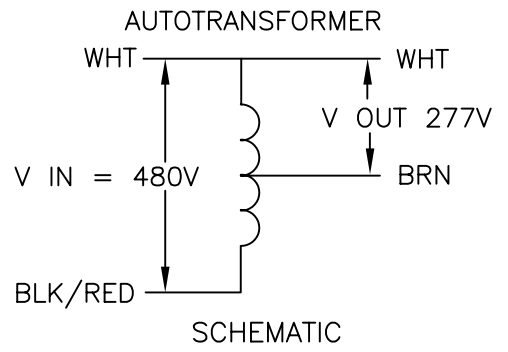
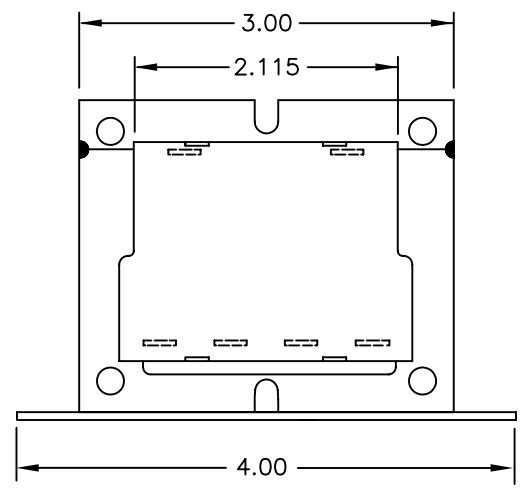
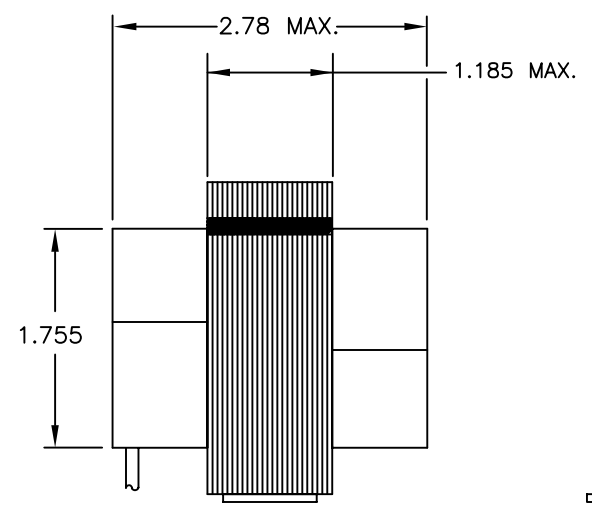
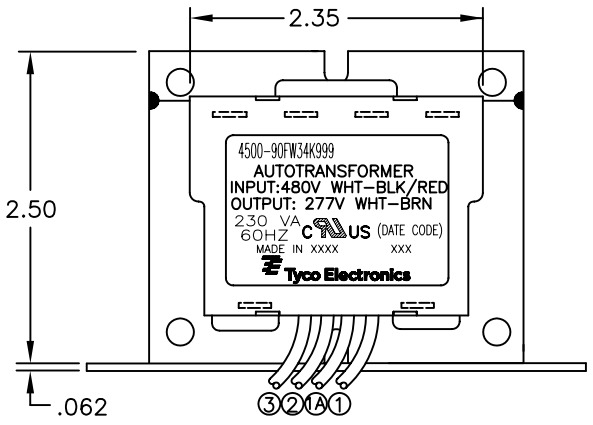
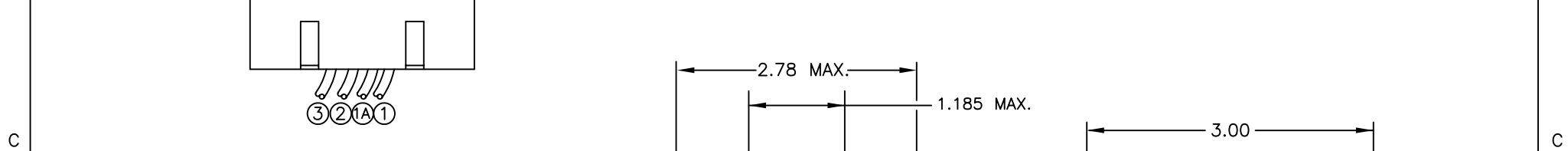


ALL LEADS 18AWG-UNLESS OTHERWISE SPECIFIED					NOTES			CERTIFICATION:	
PRIMARY					1. DIMENSIONS FOR REFERENCE ONLY.			UL/CUL FILE NO. E102980	
LEAD NO.	1	1A	2	3	2. ALL LEADS +1"/-0" TOL.				
VOLTAGE	COM	COM	277/OUT	480/IN	3. STRIP TOL. ±1/32				
COLOR	WHT	WHT	BRN	BLK/RED	4. WINDING PROTECTION-NONE				
LENGTH	12.0	12.0	12.0	12.0	5. TRANSFORMER TO BE DIP VARNISHED.				
STRIP LENGTH	.50	.50	.50	.50					



TYCO ELECTRONICS PART NUMBER
 1611516-8

THIS DRAWING IS A CONTROLLED DOCUMENT.		DWN K.H.	03AUG06	Tyco Electronics Corporation Harrisburg, PA 17105-3608	
DIMENSIONS: INCHES		CHK DH	03AUG06	NAME	
TOLERANCES UNLESS OTHERWISE SPECIFIED:		APVD HT	03AUG06	PRODUCT SPEC	
0 PLC ± -		APPLICATION SPEC		TRANSFORMER OUTLINE P.U. STOCK	
1 PLC ± -		WEIGHT		SIZE A3	CAGE CODE 00779
2 PLC ± .01		CUSTOMER DRAWING		DRAWING NO C=4500-90FW34K999	RESTRICTED TO
3 PLC ± .005		SCALE 1:1		SHEET 1 of 1	
4 PLC ± -		REV B			
ANGLES ± -					
MATERIAL					
FINISH					