

4

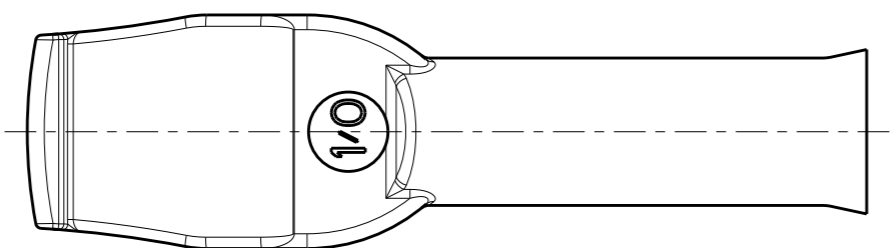
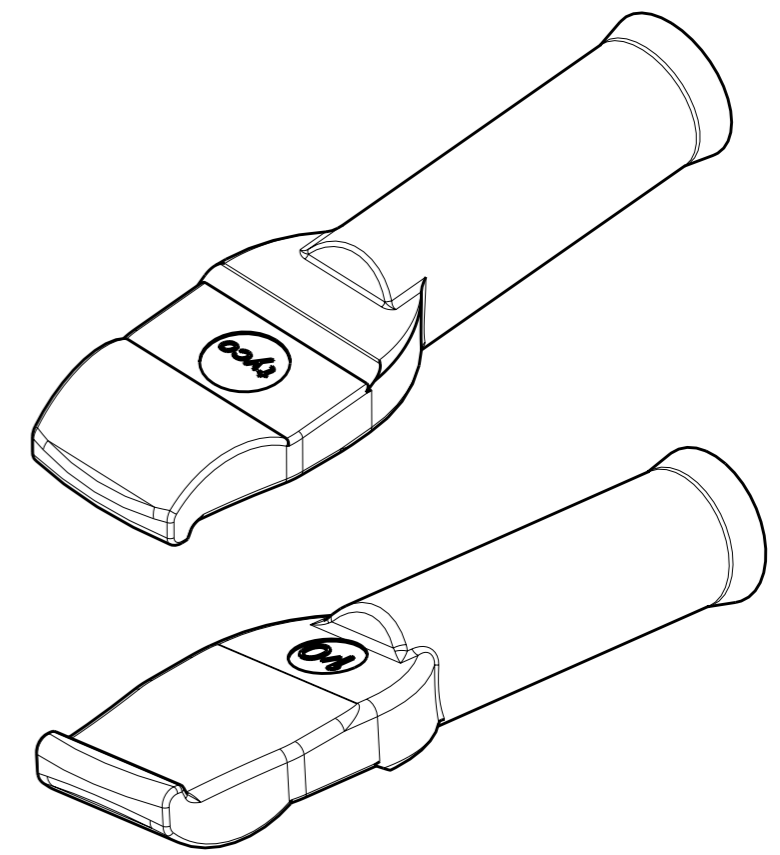
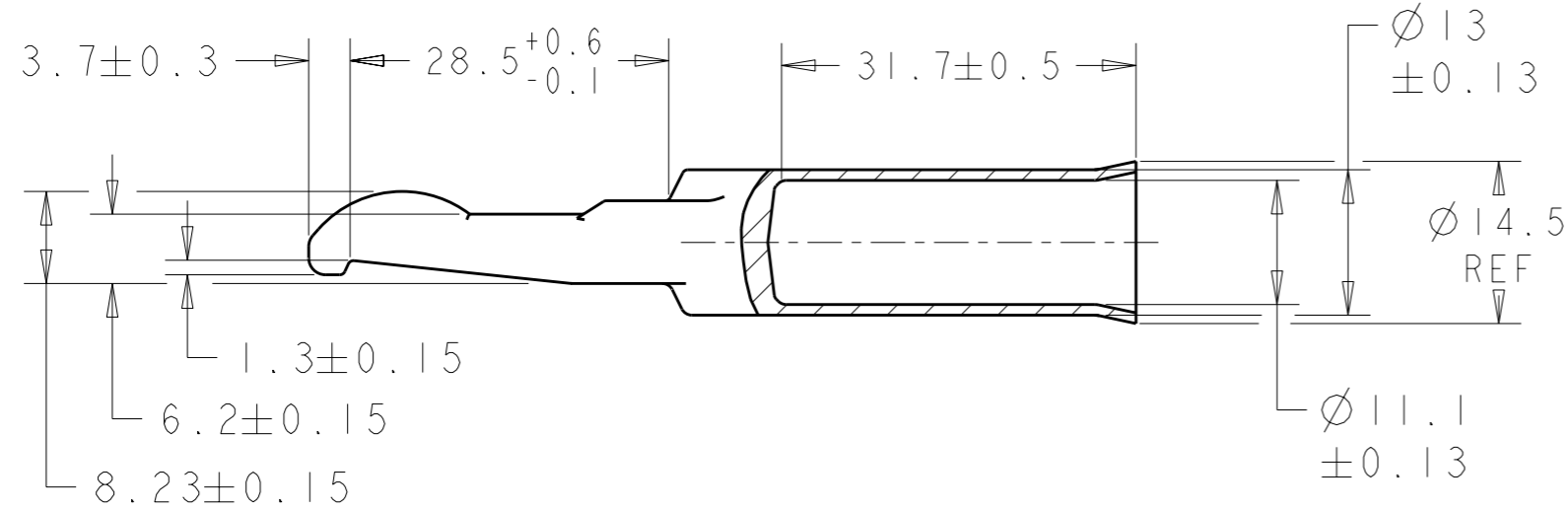
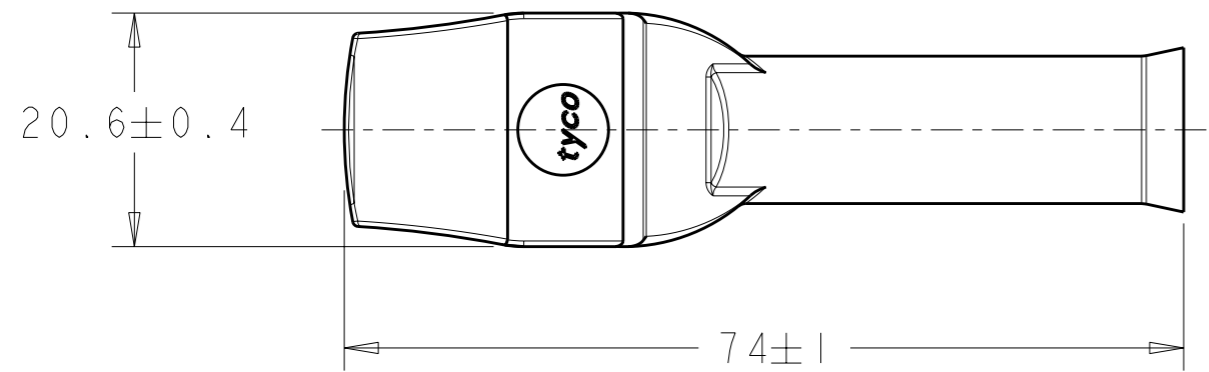
3

2

1

THIS DRAWING IS UNPUBLISHED. RELEASED FOR PUBLICATION 20  
 © COPYRIGHT 20 BY TYCO ELECTRONICS CORPORATION. ALL RIGHTS RESERVED.

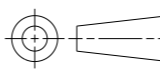
LOC	DIST	REVISIONS					
CM	0	P	LTR	DESCRIPTION	DATE	DWN	APVD
			5	REVISED	14JAN2004	BY	RW
			A	RELEASED PER ECO-05-004060	19APR06	KW	JE



- 1. MATERIAL: COPPER ALLOY
- 2. FINISH: PLATED SILVER

AS SHOWN	1604055-1
DESCRIPTION	PART NUMBER

**METRIC**

<small>THIS DRAWING IS A CONTROLLED DOCUMENT FOR TYCO ELECTRONICS CORPORATION IT IS SUBJECT TO CHANGE AND THE CONTROLLING ENGINEERING ORGANIZATION SHOULD BE CONTACTED FOR THE LATEST REVISION.</small>		DWN Brent D. Yohn 09APR2002 CHK W.H. BERNHART 09APR2002 APVD W.H. BERNHART 09APR2002		<b>tyco Electronics</b> Tyco Electronics Harrisburg, PA 17105-3608	
DIMENSIONS: mm 		TOLERANCES UNLESS OTHERWISE SPECIFIED: 0 PLC ±- 1 PLC ±0.3 2 PLC ±0.13 3 PLC ±0.050 4 PLC ±- ANGLES ±1°		NAME CONTACT, AMP POWER SERIES 350, 1/0 AWG PRODUCT SPEC - APPLICATION SPEC - WEIGHT -	
MATERIAL - FINISH -		CUSTOMER DRAWING		SIZE A3 CAGE CODE 00779 DRAWING NO C-1604055 RESTRICTED TO - SCALE 3:2 SHEET 1 OF 1 REV A	