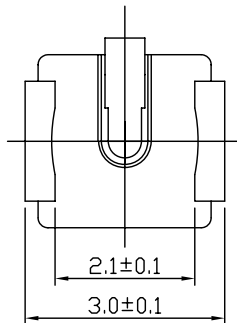
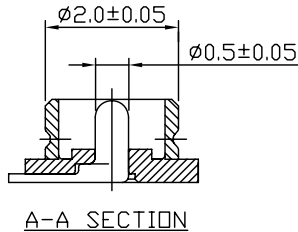
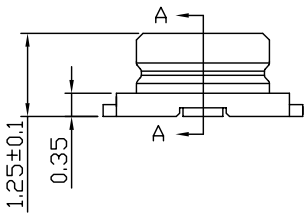
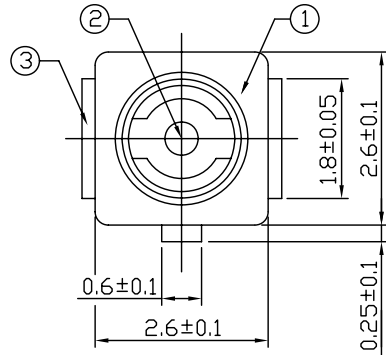


DWG. NO. C-1566230

THIS DRAWING IS UNPUBLISHED. RELEASED FOR PUBLICATION.  
 © COPYRIGHT BY TYCO ELECTRONICS. ALL RIGHT RESERVED.



1566230-2	500PCS/PE BAG	3 OF 3
1566230-1	2500PCS/REEL	2 OF 3
P/N	PACKING	PAGE

**SPECIFICATIONS:**

**MECHANICAL CHARACTERISTICS:**

MATING/UNMATING--30 CYCLES

**ELECTRICAL CHARACTERISTICS:**

IMPEDANCE--50 OHMS

FREQUENCY RANGE--0-6 GHz (VSWR--1.3 MAX.)

OPERATING VOLTAGE--500 VOLTS RMS

CONTACT RESISTANCE--CENTER CONTACT=20 MILLIOHMS MAX.

OUTER CONTACT=10 MILLIOHMS MAX.

DIELECTRIC WITHSTANDING VOLTAGE--200 VAC FOR 1 min.

CURRENT LEAKAGE 2mA MAX.

INSULATION RESISTANCE--500 MEGOHMS MIN.

**ENVIRONMENTAL CHARACTERISTICS:**

TEMPERATURE RANGE-- -40°C TO +90°C

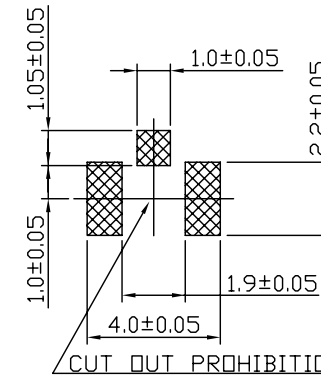
**MATERIAL & FINISH:**

HOUSING--LCP, UL(94V-0).

GROUND CONTACT: BRASS--GOLD FLASH WITH UNDERPLATED  
50μ" MIN. NICKEL.

CENTER CONTACT: BRASS--GOLD FLASH WITH UNDERPLATED  
50μ" MIN. NICKEL.

RoHS 2002/95/EC COMPLIANT.



RECOMMENDED P.C.B PATTERN

QTY	U/M	PART NO.	DESCRIPTION	ITEM NO.
1	EA	1-1566230-3	GROUND CONTACT, BRASS WITH GOLD PLATING	3
1	EA	1-1566230-2	CENTER CONTACT, BRASS WITH GOLD PLATING	2
1	EA	1-1566230-1	HOUSING, LCP (UL94V-0)	1

THIS DRAWING IS A CONTROLLING DOCUMENT FROM TYCO ELECTRONICS IT IS SUBJECT TO CHANGE AND THE CONTROLLING ENGINEERING ORGANIZATION SHOULD BE CONTACTED FOR THE LATEST REVISION

DIMENSIONS: MM	TOLERANCES UNLESS OTHERWISE SPECIFIED: 0 PLC ± 1 PLC ± 2 PLC ± 3 PLC ±
----------------	--

ANGLES ±  
SURFACE TEXTURE

SIZE A3	SCALE —	SHEET 1 OF 3	REV A
DWN M.TSAI	ENG. R.LEE	NAME	
CHK J.PI	CHK	DRAWING NO. C-1566230	
APVD J.CHEN	CUSTOMER DRAWING		

**tyco** TYCO ELECTRONICS  
CABLE SYSTEMS  
ASIA PACIFIC

LOC  
HY  
DIST

A	ECR-06-011838	16.MAY.06'	MT	JP
□	FIRST ISSUE	14.APR.06'	MT	JP
LTR	REVISION RECORD	DATE	DWN	APVE

4

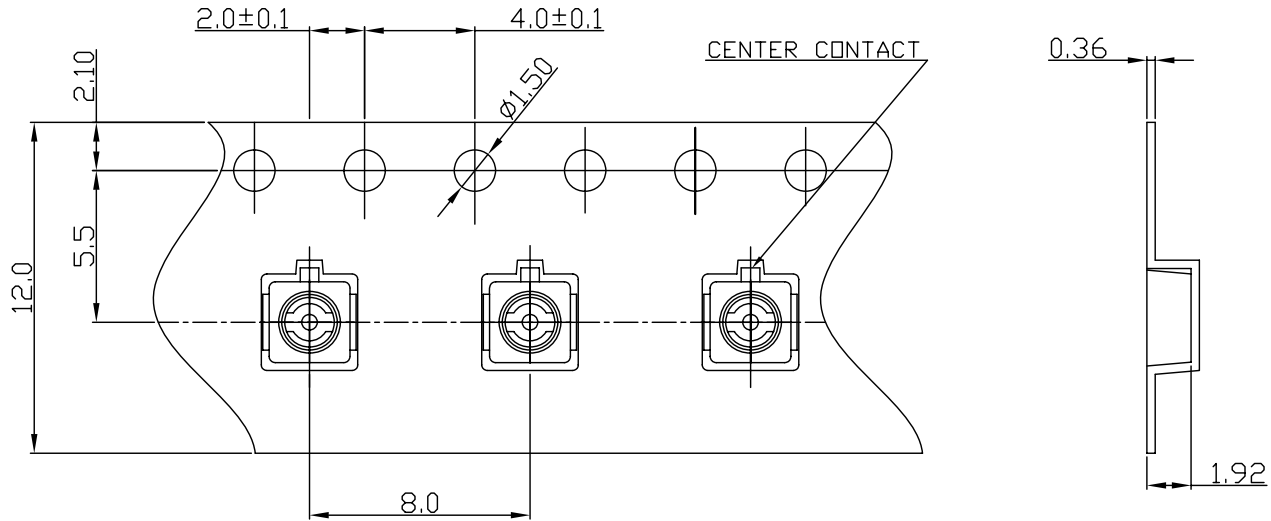
3

2

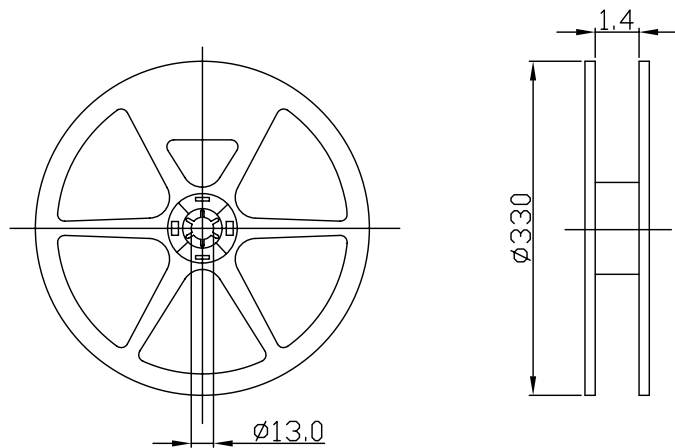
1

DWG. NO.  
C-1566230

THIS DRAWING IS UNPUBLISHED. RELEASED FOR PUBLICATION.  
© COPYRIGHT BY TYCO ELECTRONICS. ALL RIGHT RESERVED.



DIMENSIONS OF TAPING



DIMENSIONS OF REEL (2500 PIECES/REEL)

1566230-2	500PCS/PE BAG	3 OF 3
1566230-1	2500PCS/REEL	2 OF 3
P/N	PACKING	PAGE

LOC  
HY  
DIST

A	ECR-06-011838	16.MAY.06'	MT	JP
□	FIRST ISSUE	14.APR.06'	MT	JP
LTR	REVISION RECORD	DATE	DWN	APVE

THIS DRAWING IS A CONTROLLING DOCUMENT FROM TYCO ELECTRONICS IT IS SUBJECT TO CHANGE AND THE CONTROLLING ENGINEERING ORGANIZATION SHOULD BE CONTACTED FOR THE LATEST REVISION

DIMENSIONS: MM	TOLERANCES UNLESS OTHERWISE SPECIFIED: 0 PLC ± 1 PLC ± 2 PLC ± 3 PLC ±
ANGLES ±	SURFACE TEXTURE

SIZE A3	SCALE —	SHEET 2 OF 3	REV A
DWN M.TSAI	ENG. R.LEE	NAME	
CHK J.PI	CHK	DRAWING NO. C-1566230	
APVD J.CHEN	CUSTOMER DRAWING		

<b>tyco</b> Electronics	TYCO ELECTRONICS CABLE SYSTEMS ASIA PACIFIC
NAME MINI RF, SMT RECE.	
DRAWING NO. C-1566230	
CUSTOMER DRAWING	

4

3

2

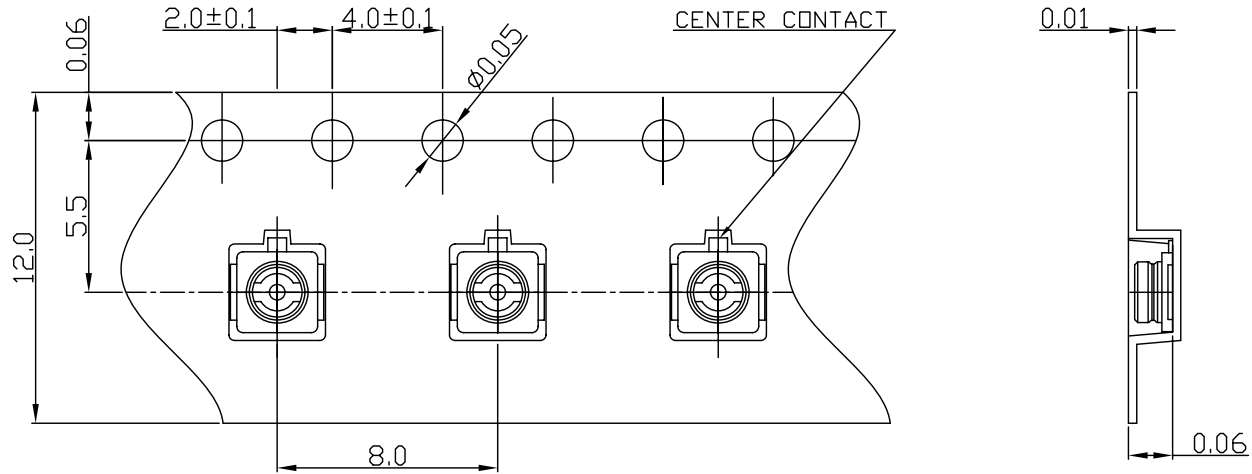
1

D

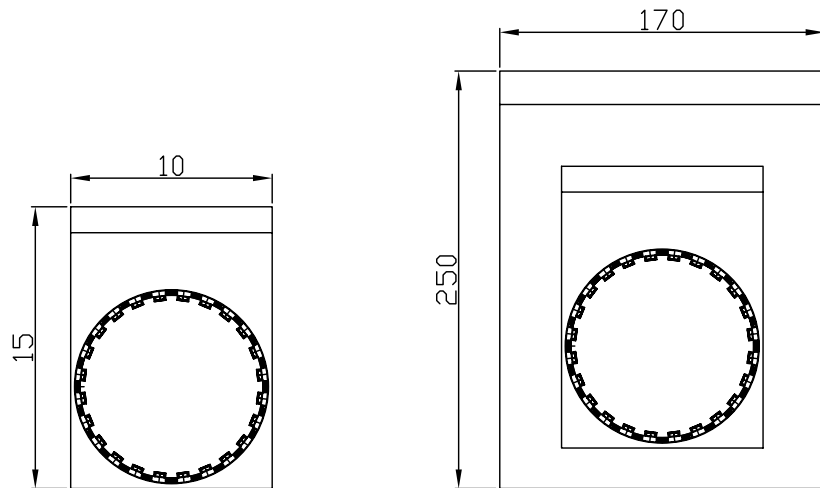
C

B

A



DIMENSIONS OF TAPING



(FIG.1)

(FIG.2)

- NOTES:  
 1. 100PCS/SMALL PE BAG. (SEE FIG.1.)  
 2. 5 SMALL PE BAGS/LARGE PE BAG. (TOTAL: 500PCS) (SEE FIG.2.)

1566230-2	500PCS/PE BAG	3 OF 3
1566230-1	2500PCS/REEL	2 OF 3
P/N	PACKING	PAGE

THIS DRAWING IS A CONTROLLING DOCUMENT FROM TYCO ELECTRONICS IT IS SUBJECT TO CHANGE AND THE CONTROLLING ENGINEERING ORGANIZATION SHOULD BE CONTACTED FOR THE LATEST REVISION

DIMENSIONS: MM	TOLERANCES UNLESS OTHERWISE SPECIFIED: 0 PLC ± 1 PLC ± 2 PLC ± 3 PLC ±
ANGLES ±	SURFACE TEXTURE

SIZE A3	SCALE —	SHEET 3 OF 3	REV A
DWN M.TSAI	ENG. R.LEE	NAME	
CHK J.PI	CHK	DRAWING NO. C-1566230	
APVD J.CHEN	CUSTOMER DRAWING		

<b>tyco</b> Electronics	TYCO ELECTRONICS CABLE SYSTEMS ASIA PACIFIC
NAME MINI RF, SMT RECE.	
DRAWING NO. C-1566230	
CUSTOMER DRAWING	

LOC  
HY  
DIST

A	ECR-06-011838	16.MAY.06'	MT	JP
□	FIRST ISSUE	14.APR.06'	MT	JP
LTR	REVISION RECORD	DATE	DWN	APVE