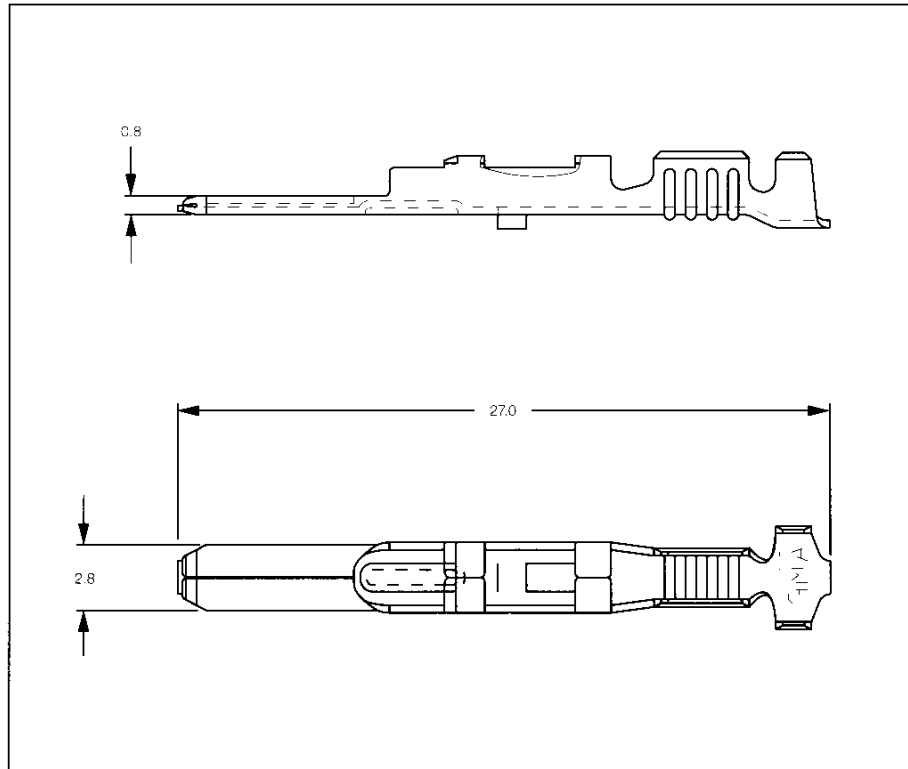


Tab Contacts

**Tabs 2.8 x 0.8 mm,
Mates with
MIC IV Receptacles**



Tab Contacts

Wire Size Range	Insulation Diameter FLK	Insulation Diameter FLR	Material and Finish	Part Numbers					
				Strip Form	Packaging Unit	Loose-Piece	Packaging Unit	Applicator	Hand Tool
mm ² (AWG)	mm (Inch)	mm (Inch)							
0.35-1.0 (22-17)	2.15 (.085)	-	CuZn, pre-tin plated	142754-1	6,000	142917-1	1,000	1-482378-5	944032-1
1.0-3.0 (17-12)	3.30 (.130)	-	CuZn, pre-tin plated	142755-1	3,000	142918-1	1,000	3-482378-5	944031-1
3.0-5.0 (12-10)	3.50 (.138)	-	Cu, pre-tin plated	142700-1	2,500	-	-	x-482378-x	-