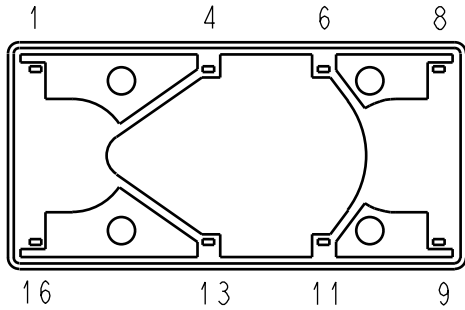
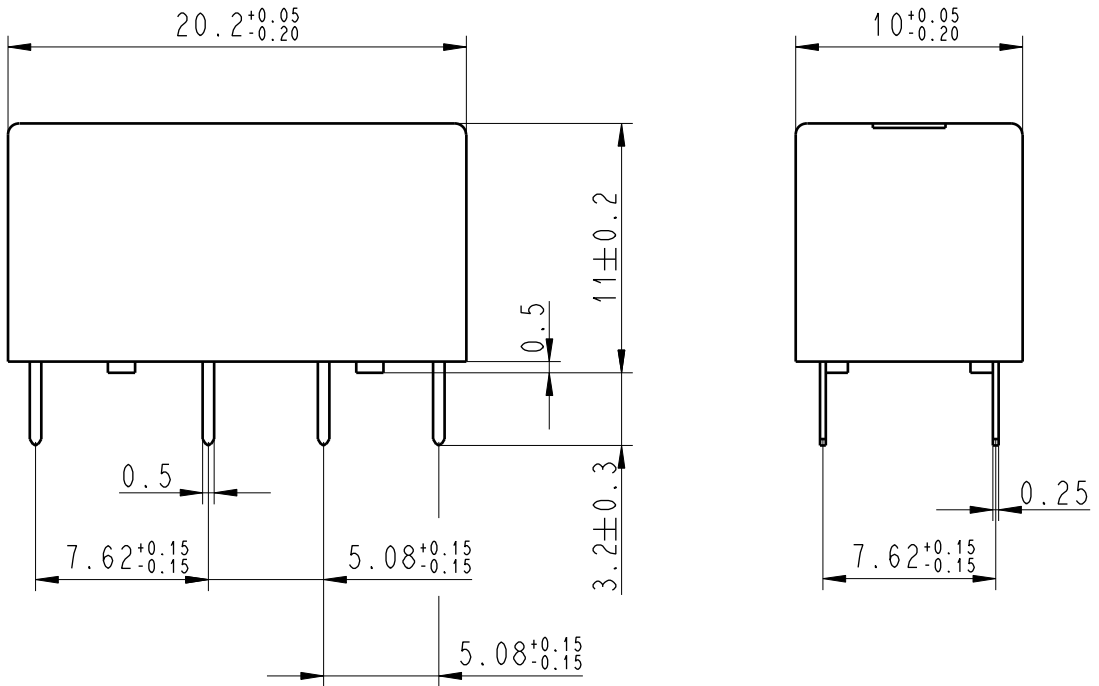


LOC	DIST	REVISIONS					
		P	LTR	DESCRIPTION	DATE	DWN	APVD
HJ	-		A4	Change C23303-A105-A1-*-27 to C-1393792-2	05May2004	MV	HD
			A5	change marking	28Jul2006	UKo	HD



Relay - bottom view



xxx = Relay type
zz = nominal voltage
YYWW = Date code

DRAWING ALIAS C23303-A105-A1-*-27

2006

RELEASED FOR PUBLICATION

THIS DRAWING IS UNPUBLISHED.

© COPYRIGHT 2006 BY TYCO ELECTRONICS CORPORATION. ALL RIGHTS RESERVED.

DIMENSIONS: mm	DWN	05May2004	MATERIAL	FINISH
	CHK	05May2004		
TOLERANCES UNLESS OTHERWISE SPECIFIED: DIN 7168-m	HD	05May2004	tyco Electronics AXICOM AG	
	APVD	05May2004	CZ - 54101 Trutnov	
0 PLC ±-	PRODUCT SPEC		NAME	
1 PLC ±			D2n-Relay	
2 PLC ±			Dimensions	
3 PLC ±	APPLICATION SPEC		SIZE	CAGE CODE
4 PLC ±			A4	00779
ANGLES ±-			DRAWING NO	RESTRICTED TO
	WEIGHT		C-1393792-2	-
	CUSTOMER DRAWING		SCALE	SHEET
			3:1	1 OF 1
				REV
				A5

