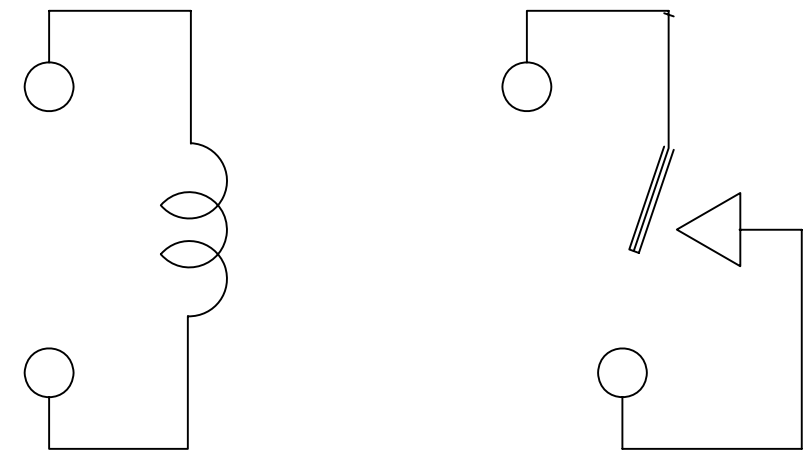
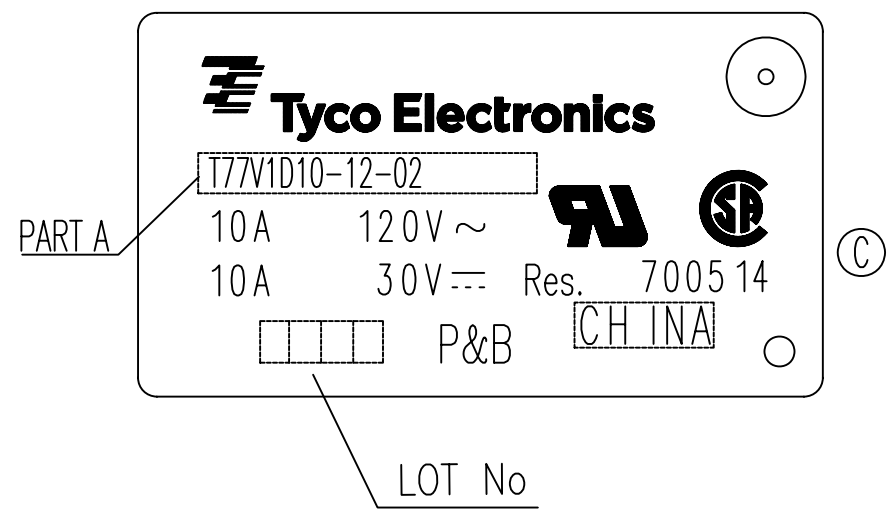


THIS DRAWING IS UNPUBLISHED. RELEASED FOR PUBLICATION
 © COPYRIGHT BY TYCO ELECTRONICS CORPORATION. ALL RIGHTS RESERVED.

LOC HB	DIST	REVISIONS						
		P	LTR	DESCRIPTION	ECO	DATE	DWN	APVD
			C	CHANGE TE LOGO	ECO-08-025532	13-OCT-08	YS.H	BH.Y



CONNECTION FIGURE

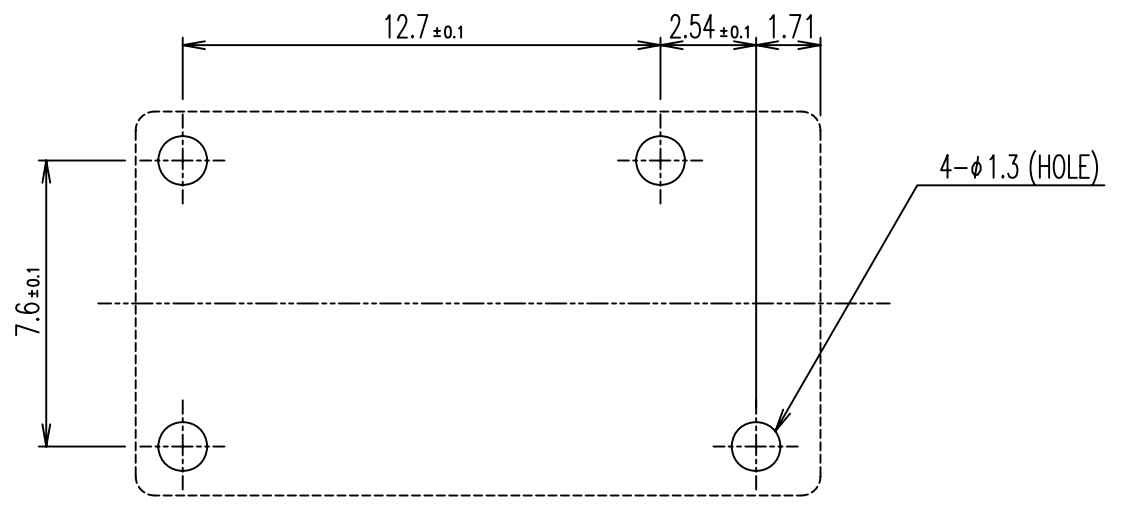
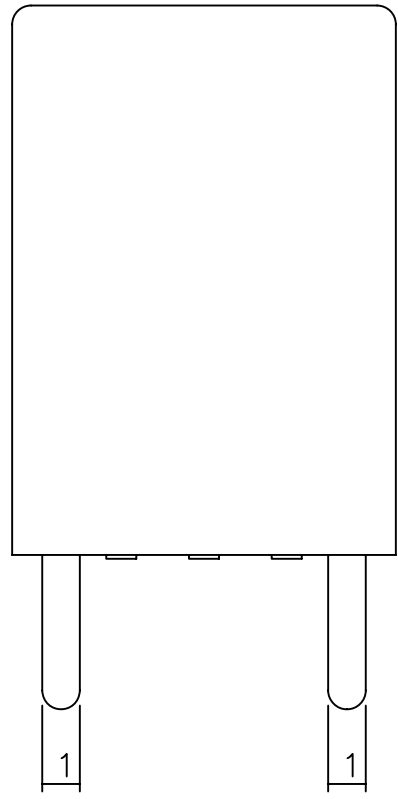
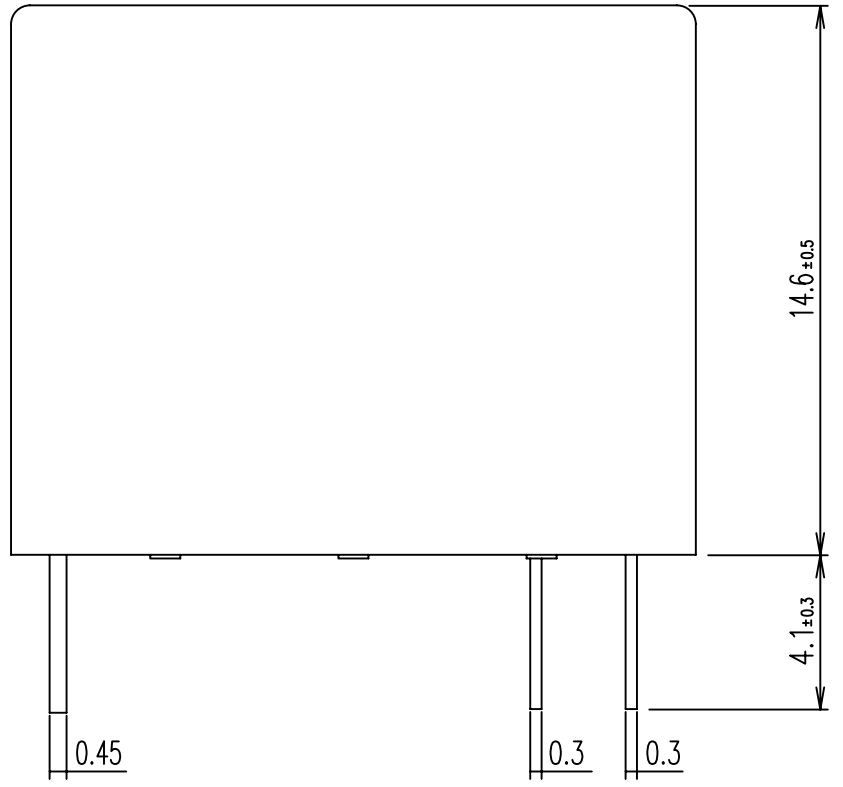
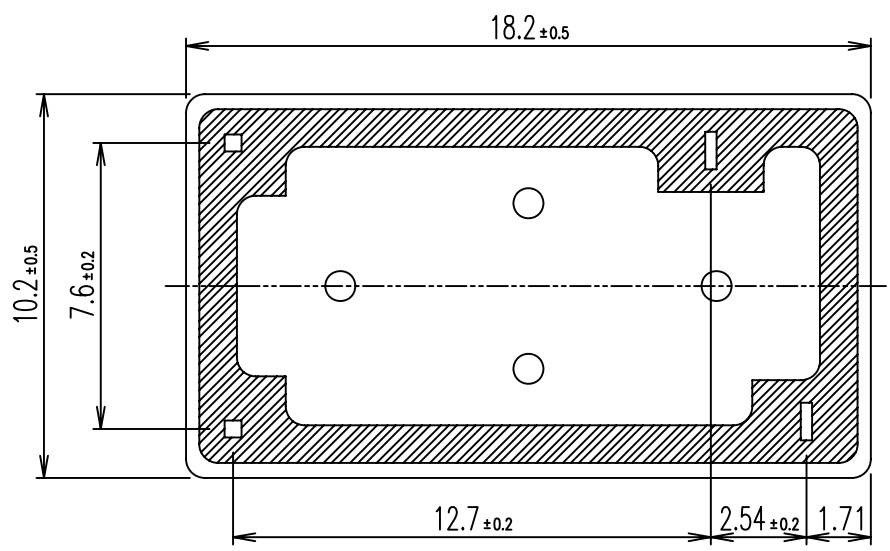


FIGURE FOR PRINTED CIRCUIT BOARD PROCESSING (BOTTOM VIEW)



THIS DRAWING IS A CONTROLLED DOCUMENT FOR TYCO ELECTRONICS CORPORATION IT IS SUBJECT TO CHANGE AND THE CONTROLLING ENGINEERING ORGANIZATION SHOULD BE CONTACTED FOR THE LATEST REVISION.		DWN Fu Bo	Tyco Electronics Corporation Shenzhen, China		
DIMENSIONS: mm		CHK Xiaoning, Zhang			
TOLERANCES UNLESS OTHERWISE SPECIFIED:		APVD CH, HSU	T77*1D10-** CUSTOMER DRAWING		
0 PLC ± 1 PLC ± 2 PLC ± 3 PLC ± 4 PLC ±		PRODUCT SPEC			
MATERIAL SEE MATERIAL TABLE		FINISH	APPLICATION SPEC	SIZE A3	
			WEIGHT	GAGE CODE 00779	DRAWING NO. 1-1393194-9
			CUSTOMER DRAWING	RESTRICT TO	SCALE 5:1
				SHEET 1 OF 2	REV C

