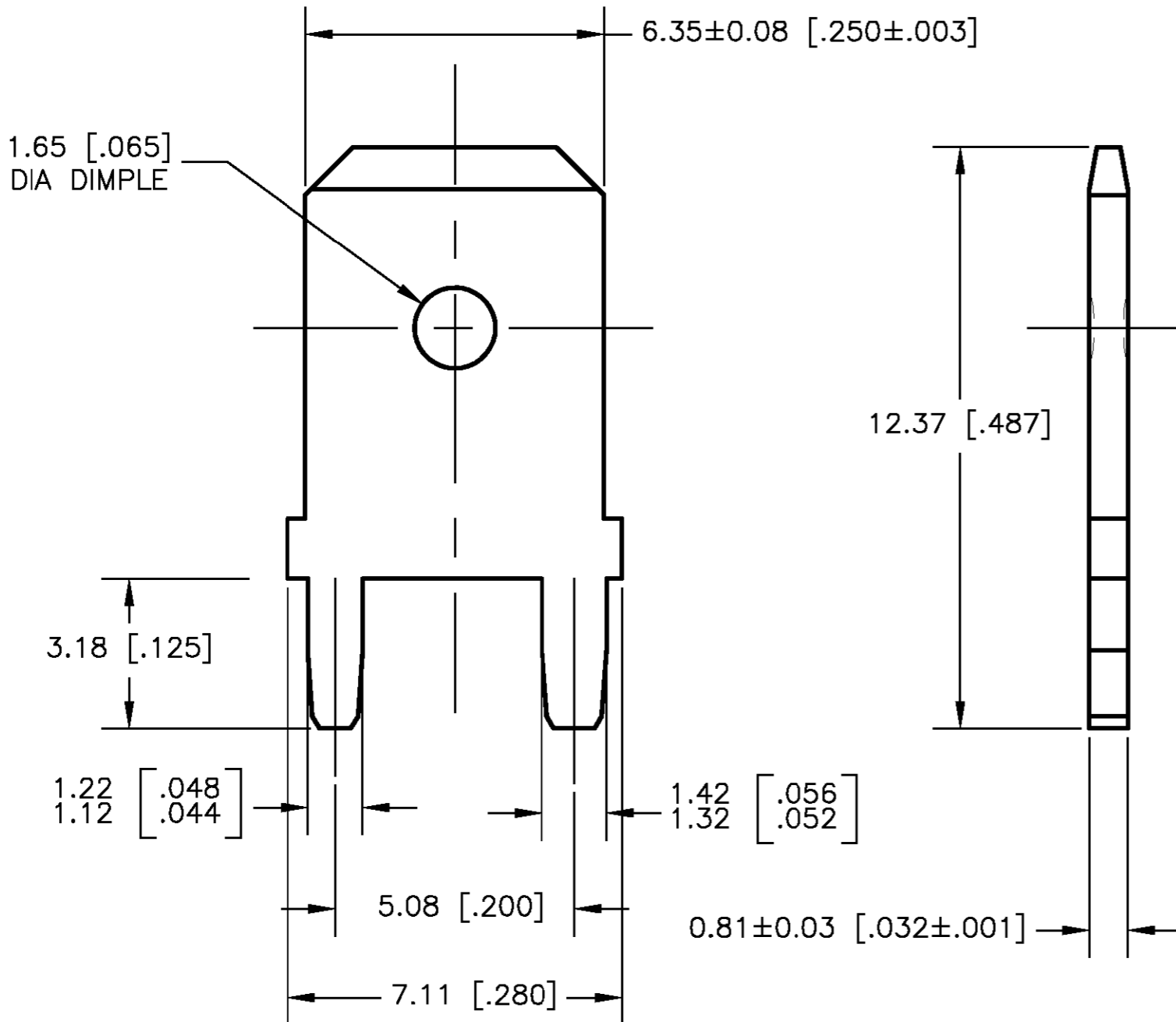
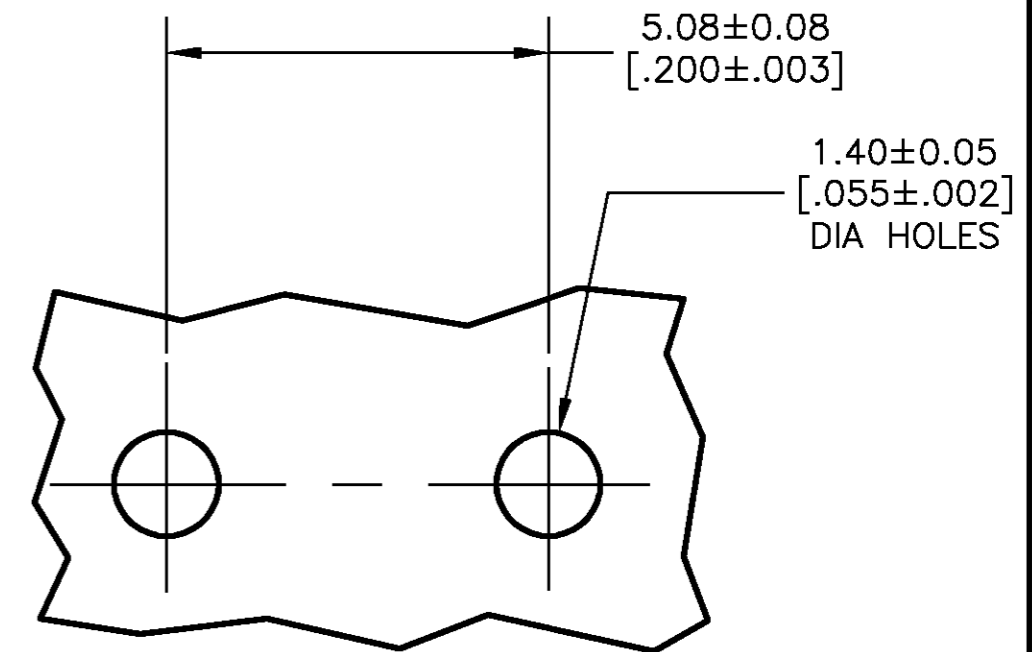


THIS DRAWING IS UNPUBLISHED. RELEASED FOR PUBLICATION  
 © COPYRIGHT BY TYCO ELECTRONICS CORPORATION. ALL RIGHTS RESERVED.

LOC	DIST	REVISIONS			
P	LTR	DESCRIPTION	DATE	DWN	APVD
AF	50	B	REDRAWN PER 0G3A-0222-01	28MAR01	JR ND



- 1 SUPPLIED IN LOOSE PIECE
- 2 0.00381 [.000150] MIN TIN OVER  
0.00254 [.000100] MIN THK COPPER.
- 3 PRELIMINARY - NOT FOR PRODUCTION



P.C. BOARD HOLES  
SCALE 10:1

3 1217382-1

PART NUMBER

THIS DRAWING IS A CONTROLLED DOCUMENT.		DWN JR RUTH 28MAR01	AMP Tyco Electronics Corporation Harrisburg, PA 17105	
DIMENSIONS: MM [INCHES]		CHK MS FEHER 28MAR01	NAME TAB, FASTON, PC BOARD, 6.35 [.250] SERIES	
TOLERANCES UNLESS OTHERWISE SPECIFIED: 0 PLC ± - 1 PLC ± - 2 PLC ± 0.25 [.010] 3 PLC ± - 4 PLC ± - ANGLES ± -		APVD N DEIBERT 28MAR01	DRAWING NO A3 00779 C-1217382	
MATERIAL 082 BRASS		FINISH TIN OVER COPPER	APPLICATION SPEC -	RESTRICTED TO -
CUSTOMER DRAWING		WEIGHT -	SCALE 8:1	SHEET 1 OF 1 REV B