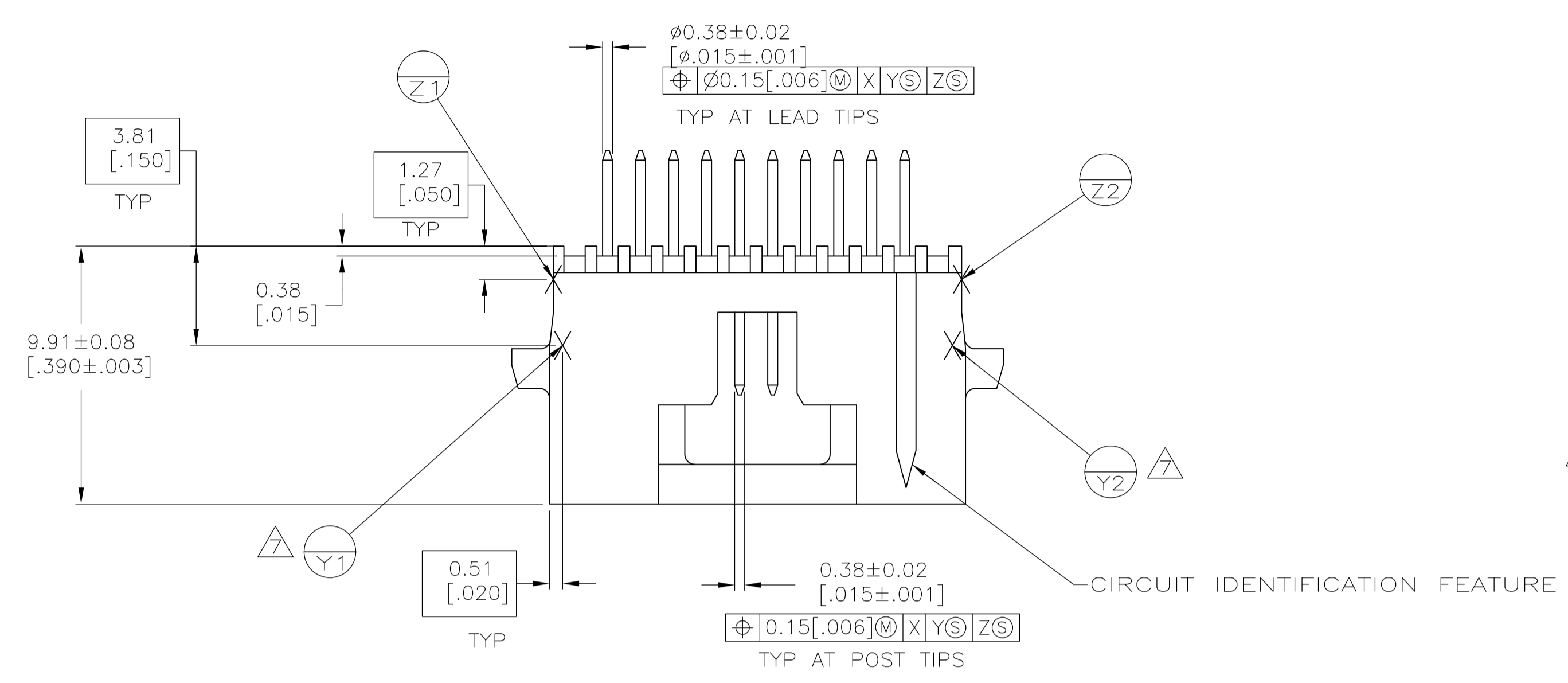
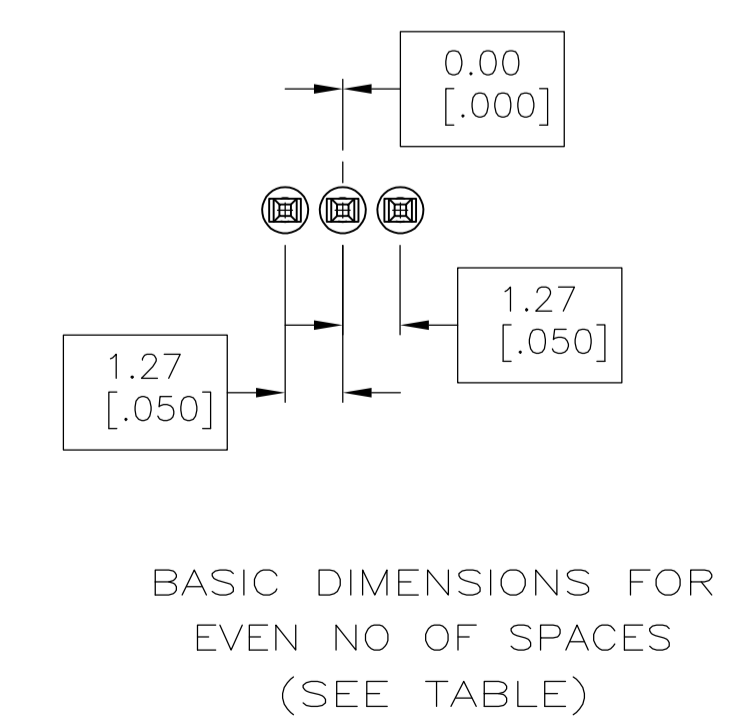
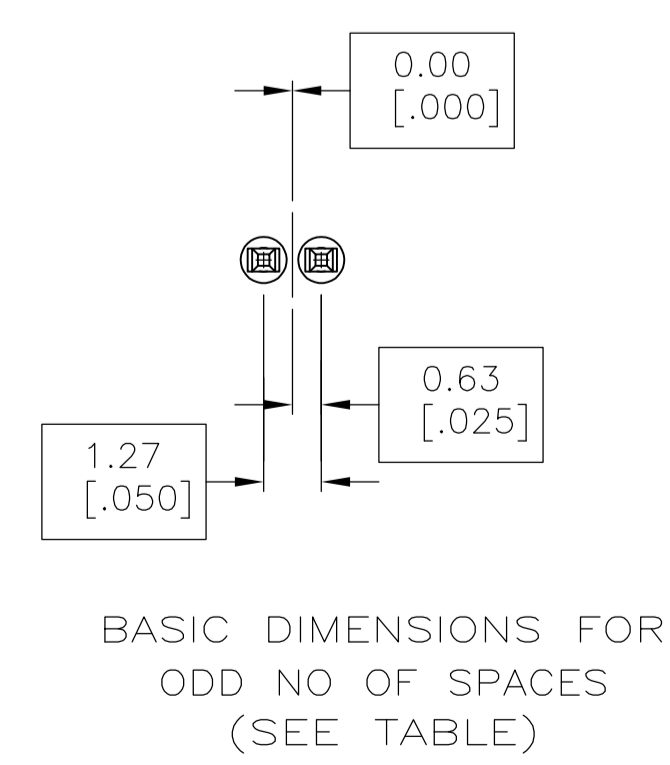
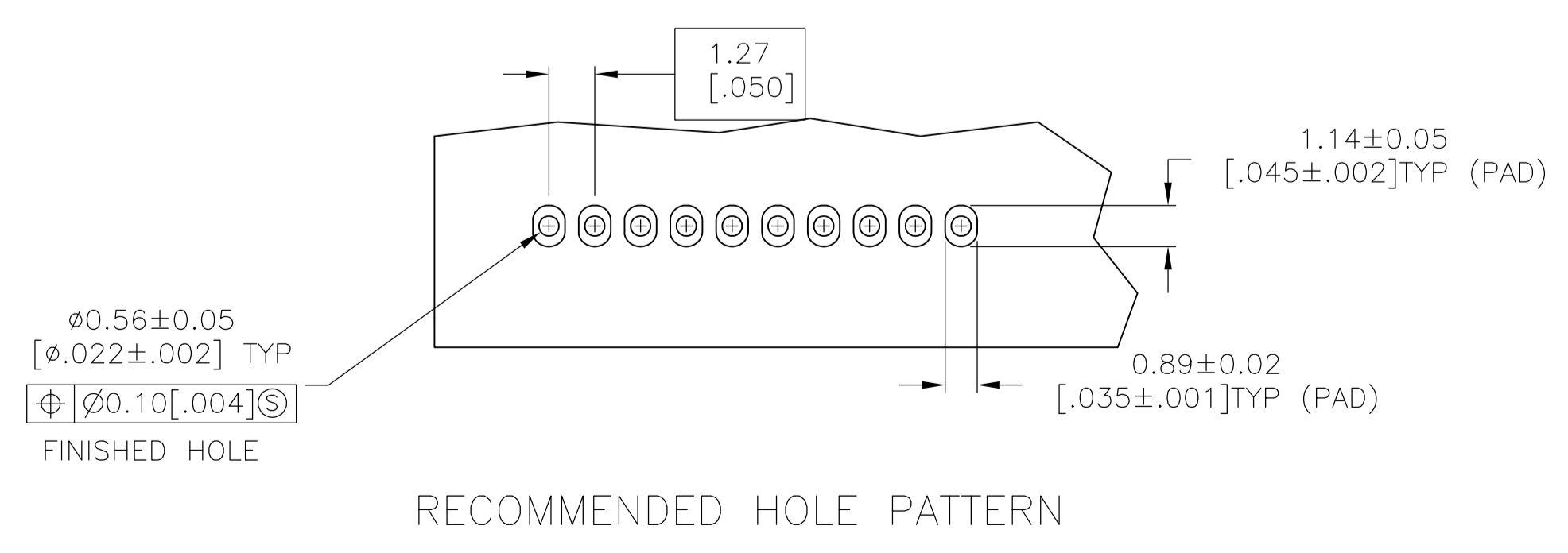
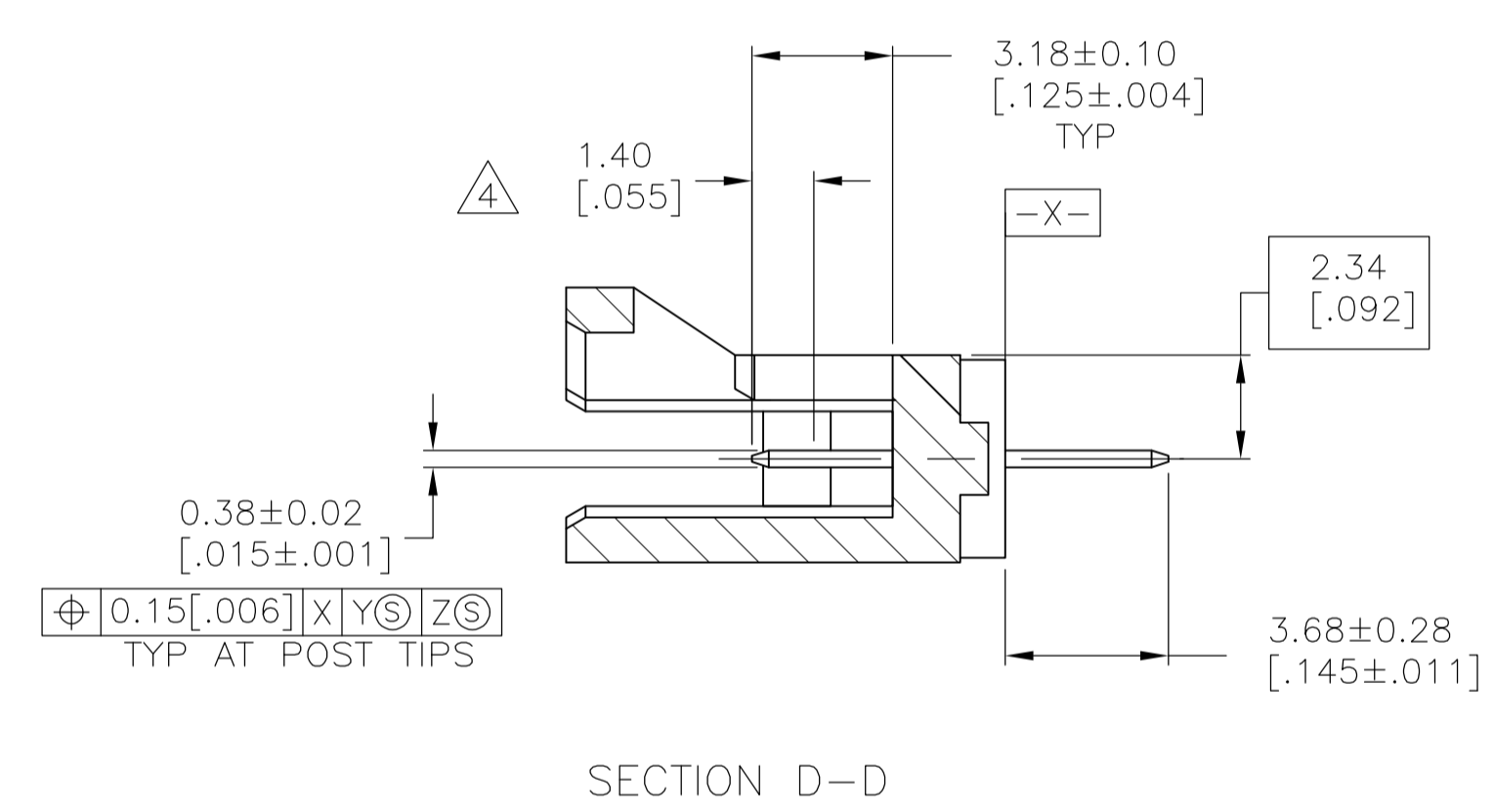
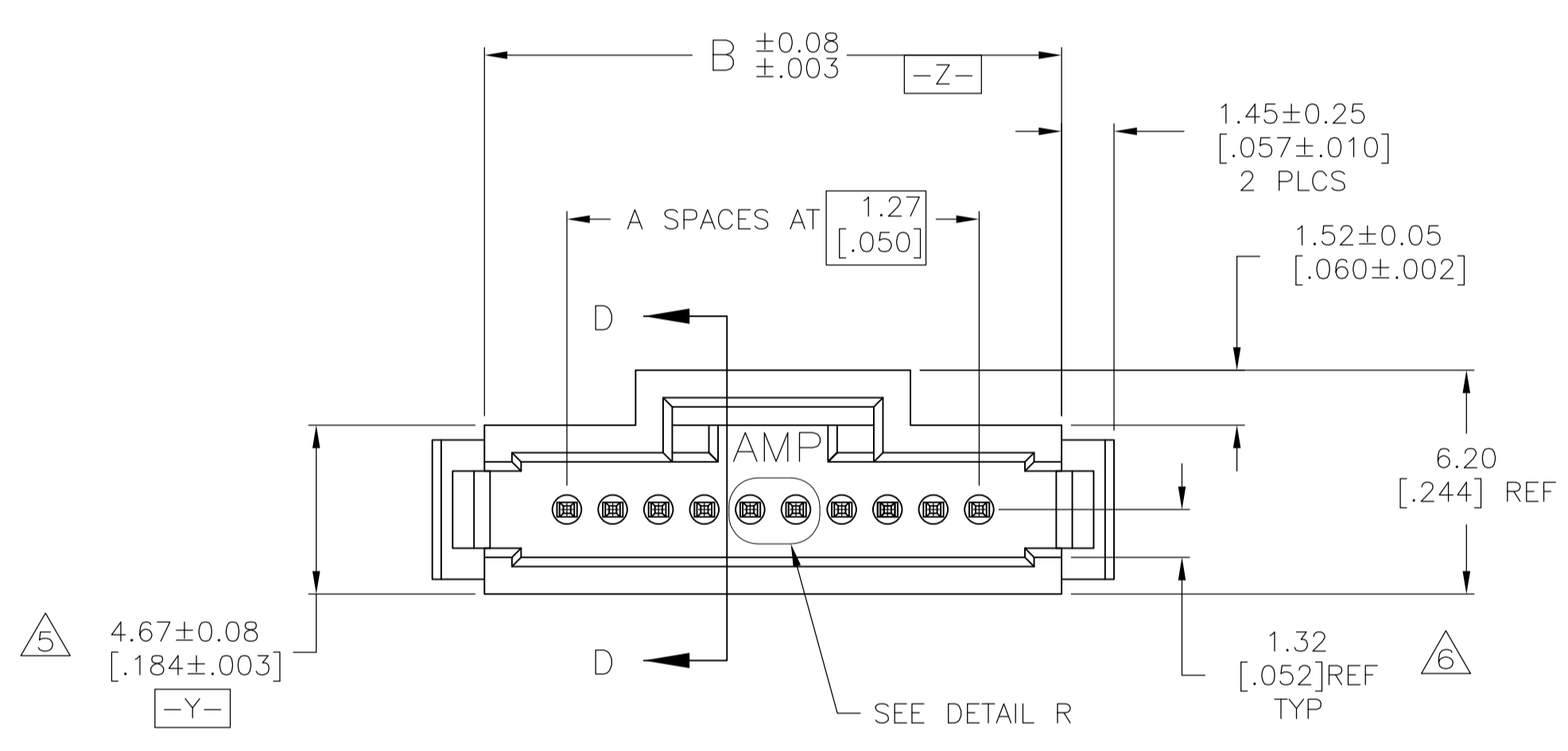


LOC		DIST		REVISIONS			
P	LTR	DESCRIPTION	DATE	DMN	APVD		
G		ECO-05-008048	24AUG05	MB	DR		
G1		REVISED PER ECO-09-020689	31AUG09	KK	AEG		



- ① FLAME RETARDANT THERMOPLASTIC, COLOR - BLACK
- ② CONTACT: COPPER ALLOY
- ③ 0.00076[.000030] GOLD ON CONTACT AREA, SOLDER LEADS PLATED WITH 0.0038[.000150] MIN TIN-LEAD, ALL OVER 0.00127[.000050] NICKEL
- ④ POINT OF MEASUREMENT FOR GOLD THICKNESS
- ⑤ DIMENSION APPLIES AT BASE OF SHROUD
- ⑥ THE NOTED DIMENSION APPLIES AT THE INTERSECTION OF THE POST AND HOUSING
- ⑦ (Y3) (Y4) ARE LOCATED THE SAME AS (Y1) (Y2) EXCEPT ON OPPOSITE SIDE OF HOUSING
- ⑧ 0.00076[.000030] GOLD ON CONTACT AREA, SOLDER LEADS PLATED WITH 0.0038[.000150] MIN TIN, ALL OVER 0.00127[.000050] NICKEL
- ⑨ OBSOLETE PARTS: OBSOLETE CIS STREAMLINING PER D.RENAUD/D.SINISI



DETAIL R

OBSOLETE	⑨	18.54 [.730]	11	12	5-104804-3	
		22.35 [.880]	14	15	5-104804-2	
		35.05 [1.380]	24	25	5-104804-1	
OBSOLETE	⑧	18.54 [.730]	11	12	104804-3	
		22.35 [.880]	14	15	104804-2	
		35.05 [1.380]	24	25	104804-1	
OBSOLETE	③	18.54 [.730]	11	12	104804-3	
		22.35 [.880]	14	15	104804-2	
		35.05 [1.380]	24	25	104804-1	
		FINISH	B	A	NO OF POSN	PART NUMBER

THIS DRAWING IS A CONTROLLED DOCUMENT. DATE: 07/12/91. KATE HELM. CHK: [blank]. APVD: [blank].

TOLERANCES UNLESS OTHERWISE SPECIFIED:
 0. PLC ± -
 1. PLC ± -
 2. PLC ± ± 0.13[.005]
 3. PLC ± ± -
 4. PLC ± ± -
 ANGLES ± ± -

PRODUCT SPEC: 108-1093
 APPLICATION SPEC: 114-25031

TYCO ELECTRONICS CORPORATION, Harrisburg, Pa 17105-3608
 NAME: HDR ASSY, VERT, SGL-ROW W/SIDE & END LATCHES AMPMODU System 50
 SIZE: A1 00779 C=104804
 WEIGHT: [blank] SCALE: 6:1 SHEET: 1 OF 1 REV: G1