

MATERIALS		
COMPONENT NAME	BASE MATERIAL	FINISH
CASE	LCP, BLACK, UL94 V-0	
TERMINAL, WIRE LUG (GOLD)	BRASS	GOLD OVER NICKEL
TERMINAL, PC & RA (GOLD)	BRASS	GOLD OVER NICKEL IN CONTACT AREA, TIN OVER NICKEL IN SOLDER AREA
TERMINAL, VRA (GOLD)	BRASS	GOLD OVER NICKEL IN CONTACT AREA, TIN OVER NICKEL IN SOLDER AREA
TERMINAL, WIRE LUG (SILVER)	SILVER CLAD COPPER	SILVER OVER NICKEL
TERMINAL, PC (SILVER)	SILVER CLAD COPPER	SILVER OVER NICKEL
CONTACT (GOLD)	COPPER ALLOY OR BRASS	GOLD OVER NICKEL
CONTACT (SILVER)	SILVER CLAD COPPER OR COPPER	SILVER OVER NICKEL
FRAME	STEEL	TIN OVER COPPER
SPRING	MUSIC WIRE	
PLUNGER BUTTON	NYLON 6/6, BLACK, RED OR BLUE, UL94 HB (EXTENDED) OR UL94V-2 (FLUSH)	
SUPPORT BRACKET (RA*ES VERSIONS ONLY)	BRASS	TIN OVER COPPER
SUPPORT BRACKET VRA (B&C BUSHINGS ONLY)	STEEL	TIN OVER COPPER
BUSHING	BRASS	NICKLE OVER COPPER
MOUNTING NUT	BRASS	NICKEL
LOCKWASHER	STEEL	NICKEL
ES HOUSING	NYLON 6/6, NATURAL, UL94 V-2	
ES BOOT	VINYL PLASTISOL, BLACK	

PART NUMBER MATRIX									
MODEL	ACTUATOR	POLES	RATING	FUNCTION	PLATING	TERMINATIONS	PROCESS SEAL	BUTTON COLOR	
TPC	BLANK=EXTENDED	1	1=GOLD .4VA	C=SPST MOMENTARY	G=GOLD	BLANK=WIRE LUG	ES=PROCESS SEALED	0=BLACK	04
	F=FLUSH	2	3=SILVER 1 AMP	F=SPDT MOMENTARY	BLANK=SILVER	PC=PRINTED CIRCUIT		2=RED	
				M=DPST MOMENTARY		RA=RIGHT ANGLE		6=BLUE	
				R=DPDT MOMENTARY		VRA=VERTICAL RIGHT ANGLE			

NOTES:
 1. AVAILABLE WITH B & C BUSHINGS ONLY
 2. SILVER ONLY AVAILABLE IN WIRE LUG AND PC TERMINATIONS
 3. RAES AVAILABLE WITH B & C BUSHING ONLY
 4. VRA ONLY AVAILABLE IN SINGLE POLE

SPECIFICATIONS	
RATING	GOLD: .4VA MAX. @ 20VDC OR PEAK AS RESISTIVE SILVER: 1A @ 125VAC OR 28 VDC RESISTIVE
INITIAL TERMINATION RESISTANCE	20 MILLIOHMS MAX.
INSULATION RESISTANCE	1,000 MEGOHMS MIN @ 500 VDC
DIELECTRIC STRENGTH	1,000 VOLTS RMS AT SEA LEVEL
TIMING	BREAK BEFORE MAKE
PLUNGER TRAVEL	.030
ACTUATION FORCE	50 TO 400 GRAMS
LIFE EXPECTANCY	.4 VA, 1 POLE: 100,000 .4 VA, 2 POLES: 80,000 1 A, 1 POLE: 60,000 1 A, 2 POLES: 50,000
OPERATING TEMPERATURE	-30°C TO +65°C
STORAGE TEMPERATURE	-30°C TO +65°C
TERMINAL SEAL	SINGLE POLE: EPOXY DOUBLE POLE: EPOXY OPTIONAL

- NOTES:
- TERMINAL NUMBERS ARE FOR REFERENCE ONLY AND DO NOT APPEAR ON SWITCHES
 - ALL MATERIALS AND FINISHES COMPLY WITH EU DIRECTIVE 2002/95/EC OF 27JAN2003 (ROHS)
 - DISPOSABLE BOOT SUPPLIED WITH ES VERSIONS. BOOT TO BE PLACED OVER BUSHING BEFORE SOLDER WASHING
- 4 CENTER TERMINAL PRESENT ON DOUBLE THROW SWITCHES ONLY.

TYCO P/N	ALCO P/N	FLUSH ACTUATOR	POLES	THROWS	PLATING	TERMINALS	PROCESS SEALED	BUTTON COLOR	FUNCTION				CONNECTED TERMINALS		DIM A
									OFF	MOM	ON	MOM	1-3	2-3	
1825098-1	TPC11CGPC004	NO	1	1	GOLD	PC	NO	BLACK	OFF	MOM	OFF	OFF	1-3	.133	
1825098-2	TPC11CGRA004	NO	1	1	GOLD	RIGHT ANGLE	NO	BLACK	OFF	MOM	OFF	OFF	1-3	.133	
1825098-3	TPC11CGRA204	NO	1	1	GOLD	RIGHT ANGLE	NO	RED	OFF	MOM	OFF	OFF	1-3	.133	
1825098-4	TPC11CGVRA004	NO	1	1	GOLD	VRA	NO	BLACK	OFF	MOM	OFF	OFF	1-3	N/A	
1825098-5	TPC11FGPC004	NO	1	2	GOLD	PC	NO	BLACK	ON	MOM	1-2	2-3	.133		
1825098-6	TPC11FGRA004	NO	1	2	GOLD	RIGHT ANGLE	NO	BLACK	ON	MOM	1-2	2-3	.133		
1825098-7	TPC11FGVRA004	NO	1	2	GOLD	VRA	NO	BLACK	ON	MOM	1-2	2-3	N/A		
1825098-8	TPC11FGVRA204	NO	1	2	GOLD	VRA	NO	RED	ON	MOM	1-2	2-3	N/A		
1825098-9	TPC13C004	NO	1	1	SILVER	WIRE LUG	NO	BLACK	OFF	MOM	OFF	OFF	1-3	.133	
1-1825098-0	TPC13C204	NO	1	1	SILVER	WIRE LUG	NO	RED	OFF	MOM	OFF	OFF	1-3	.133	
1-1825098-1	TPC13CPC004	NO	1	1	SILVER	PC	NO	BLACK	OFF	MOM	OFF	OFF	1-3	.133	
1-1825098-2	TPC13F004	NO	1	2	SILVER	WIRE LUG	NO	BLACK	ON	MOM	1-2	2-3	.133		
1-1825098-3	TPC21MGRA204	NO	2	1	GOLD	RIGHT ANGLE	NO	RED	OFF	MOM	OFF	OFF	1-3, 4-6	N/A	
1-1825098-4	TPC21RGPC004	NO	2	2	GOLD	PC	NO	BLACK	ON	MOM	1-2, 4-5	2-3, 5-6	N/A		
1-1825098-5	TPC23M004	NO	2	1	SILVER	WIRE LUG	NO	BLACK	OFF	MOM	OFF	OFF	1-3, 4-6	N/A	
1-1825098-6	TPC23R204	NO	2	2	SILVER	WIRE LUG	NO	RED	ON	MOM	1-2, 4-5	2-3, 5-6	N/A		
1-1825098-7	TPCF11CGPC004	YES	1	1	GOLD	PC	NO	BLACK	OFF	MOM	OFF	OFF	1-3	.000	
1-1825098-8	TPCF11CGRA004	YES	1	1	GOLD	RIGHT ANGLE	NO	BLACK	OFF	MOM	OFF	OFF	1-3	.000	
1-1825098-9	TPCF11FGRA004	YES	1	2	GOLD	RIGHT ANGLE	NO	BLACK	ON	MOM	1-2	2-3	.000		
2-1825098-0	TPCF13C004	YES	1	1	SILVER	WIRE LUG	NO	BLACK	OFF	MOM	OFF	OFF	1-3	.000	
2-1825098-1	TPCF13C004	YES	1	2	SILVER	WIRE LUG	NO	BLACK	ON	MOM	1-2	2-3	.000		

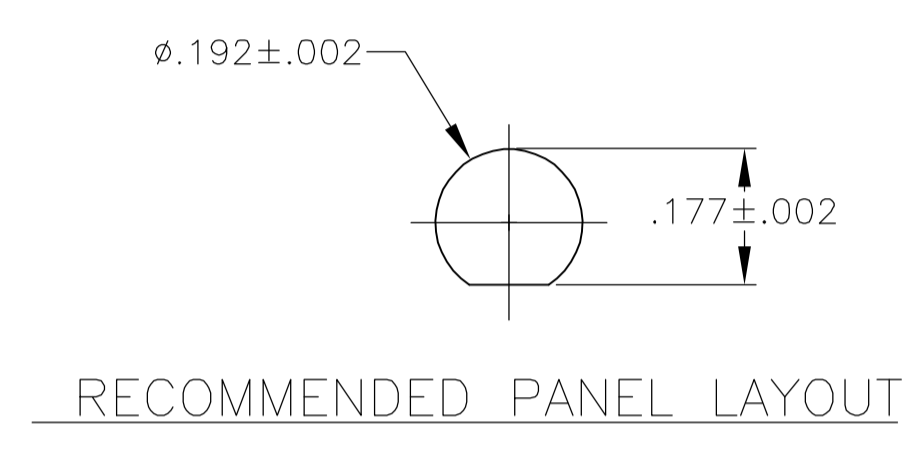
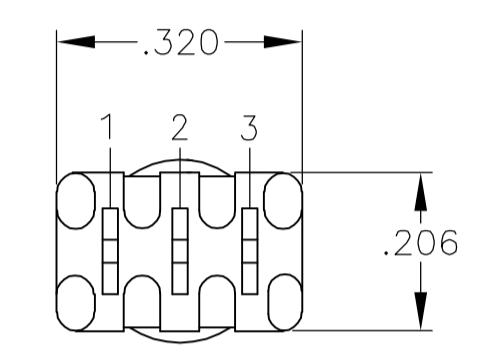
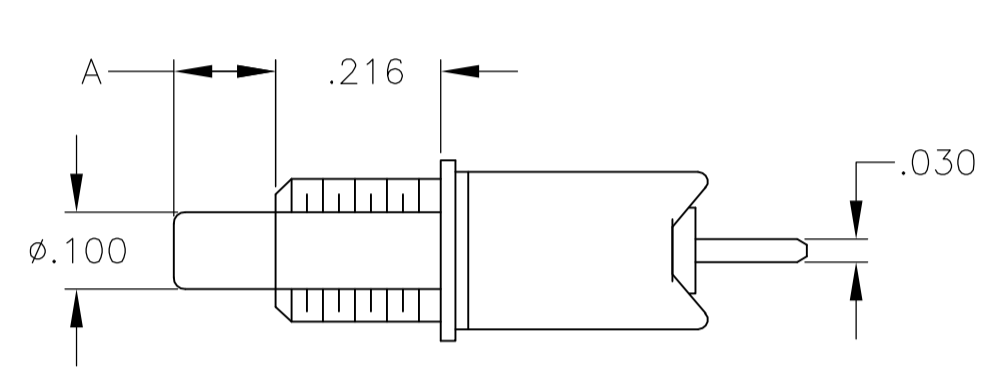
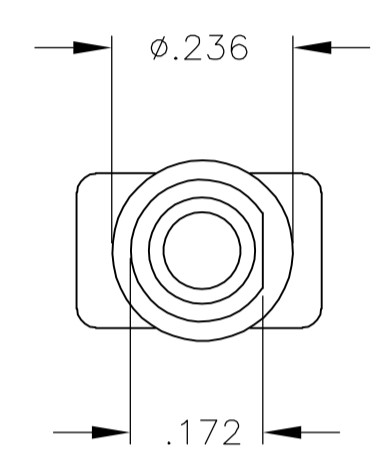
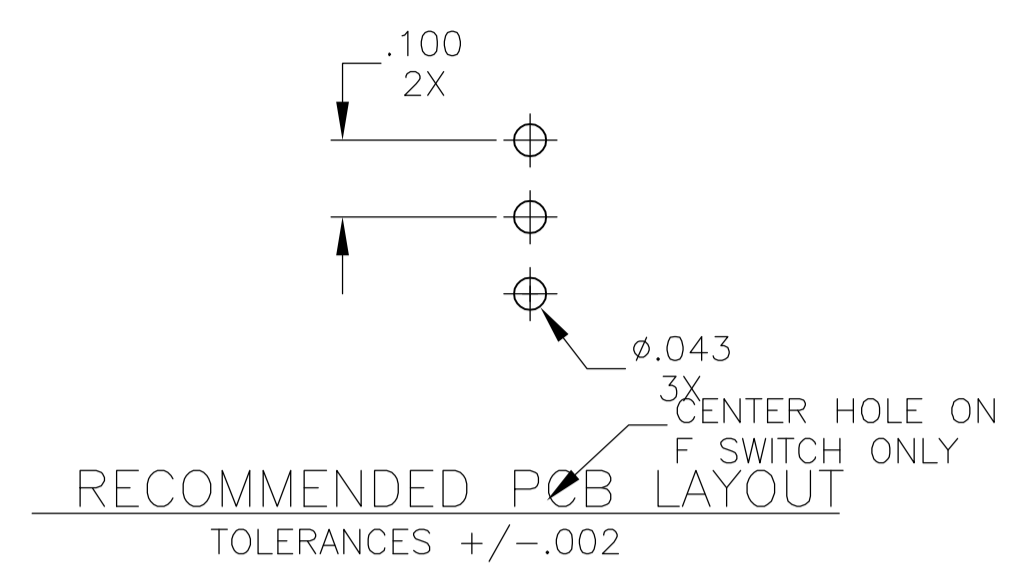
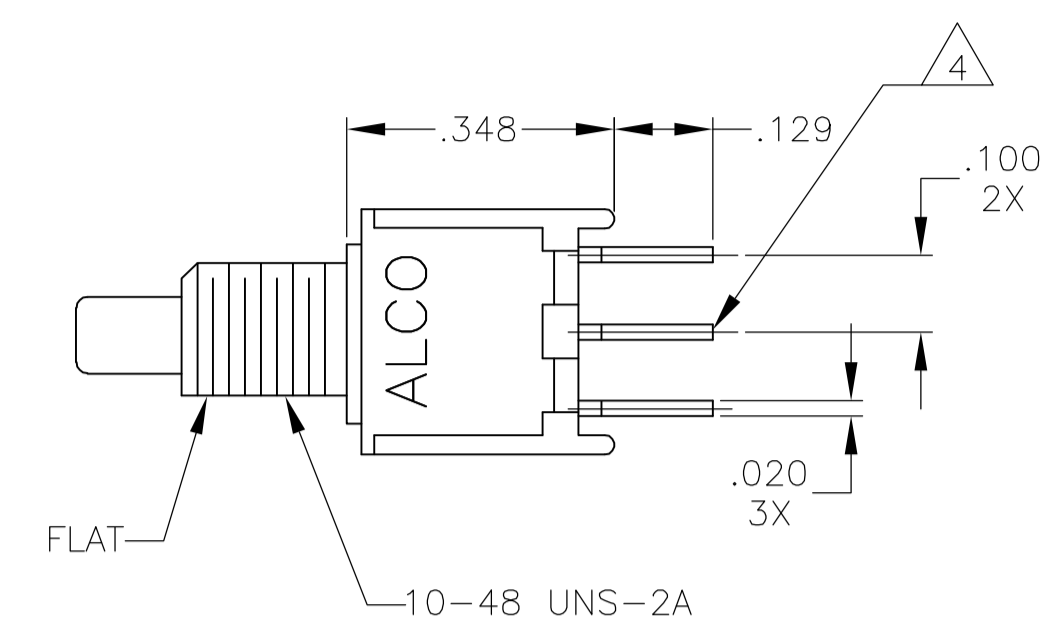
THIS DRAWING IS A CONTROLLED DOCUMENT. DWN FRAGHU 12-5-05

tyco Electronics Tyco Electronics Corporation Harrisburg, Pa 17105-3608

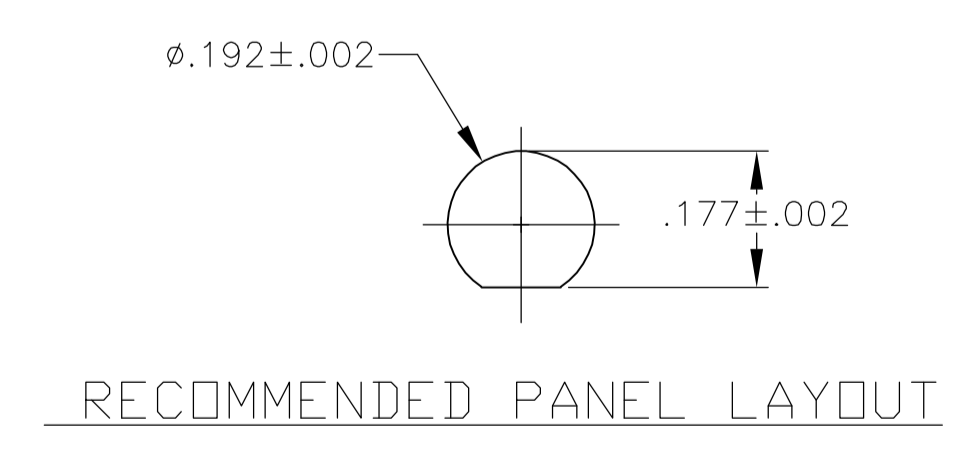
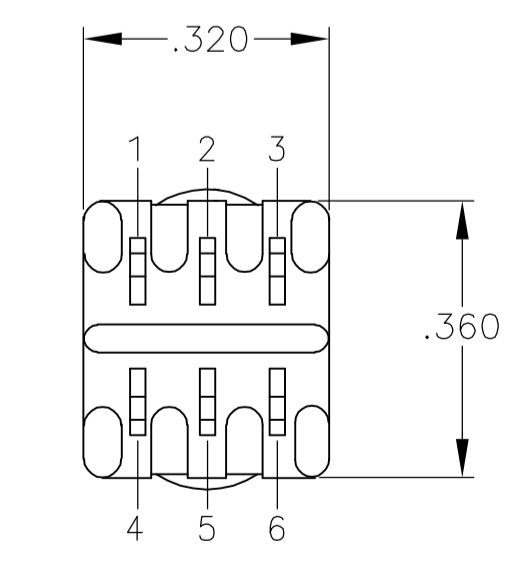
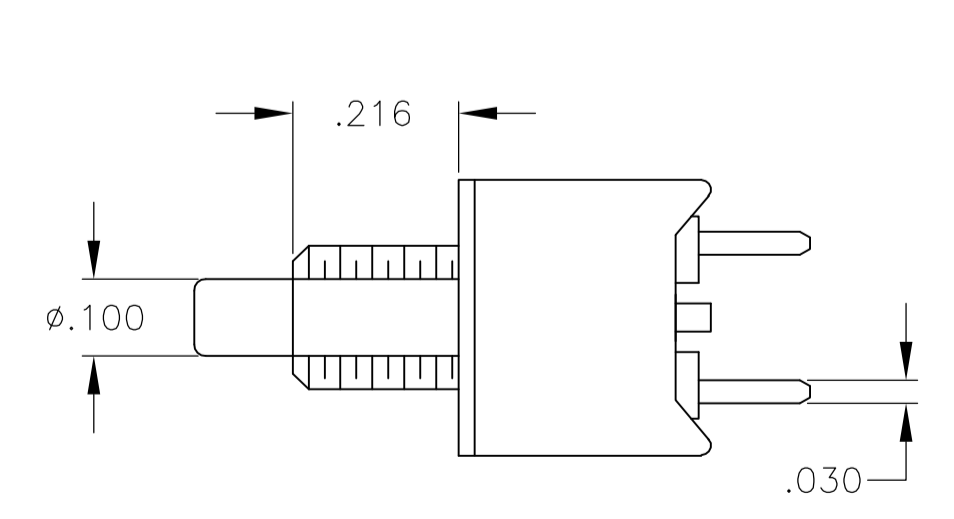
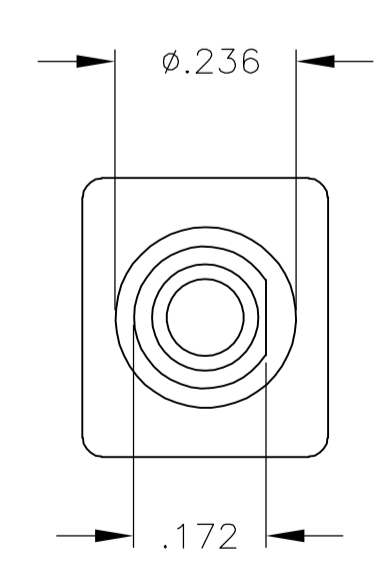
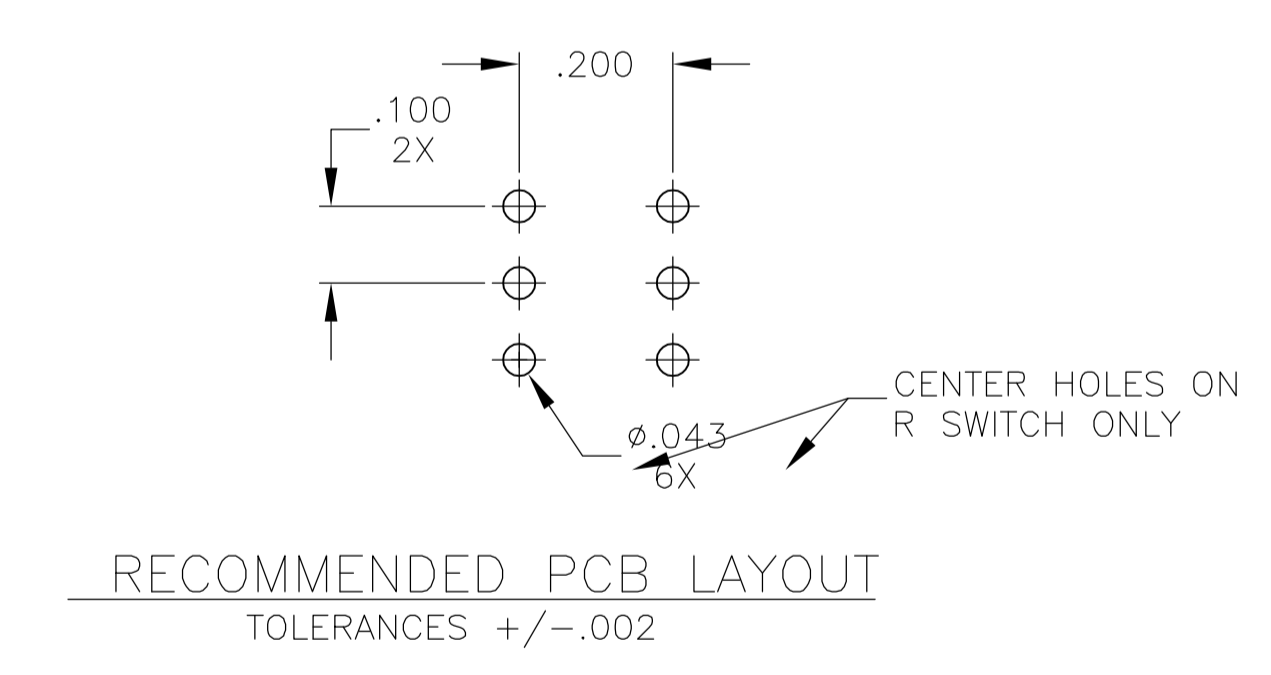
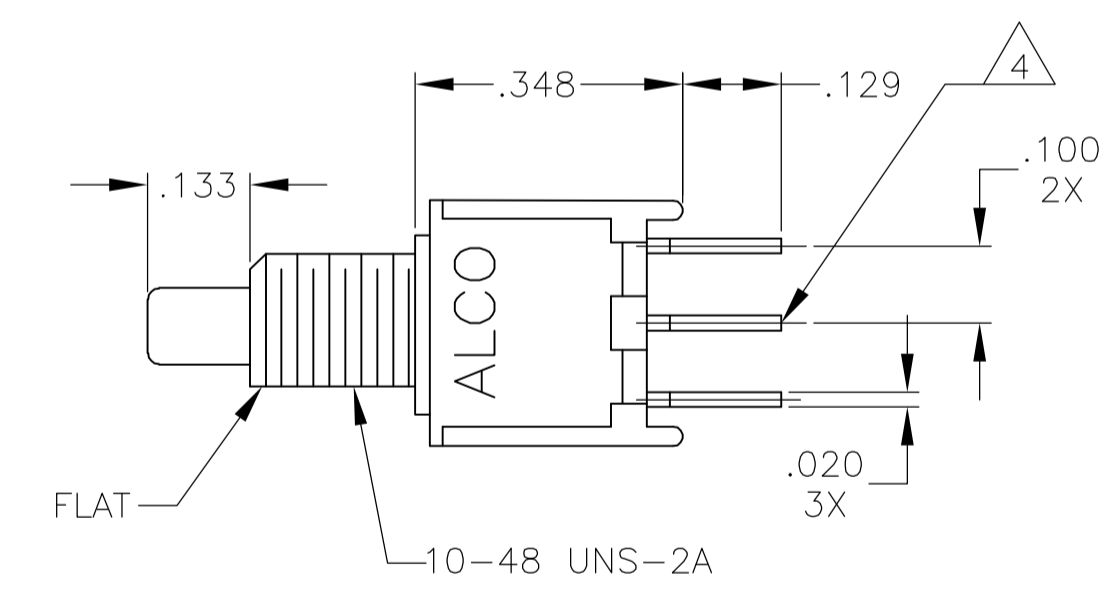
PRODUCT SPEC: PUSHBUTTON SWITCH, TPC SERIES

SIZE: A1 CAGE CODE: 00779 DRAWING NO: 1825098

CUSTOMER DRAWING SCALE: 4:1 SHEET 1 OF 5 REV A

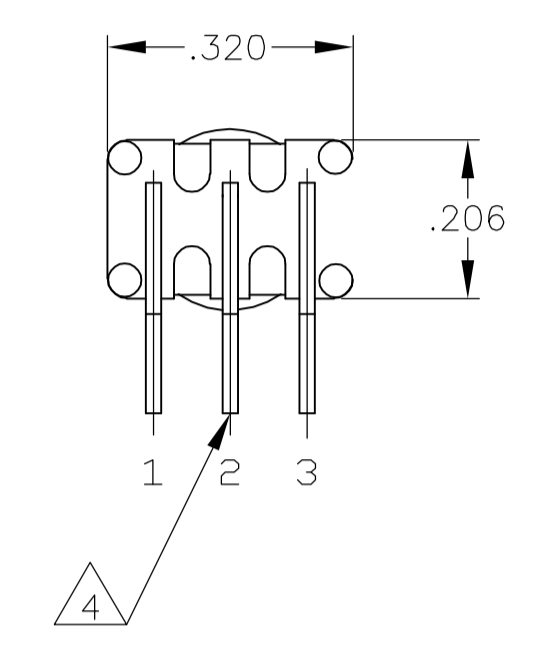
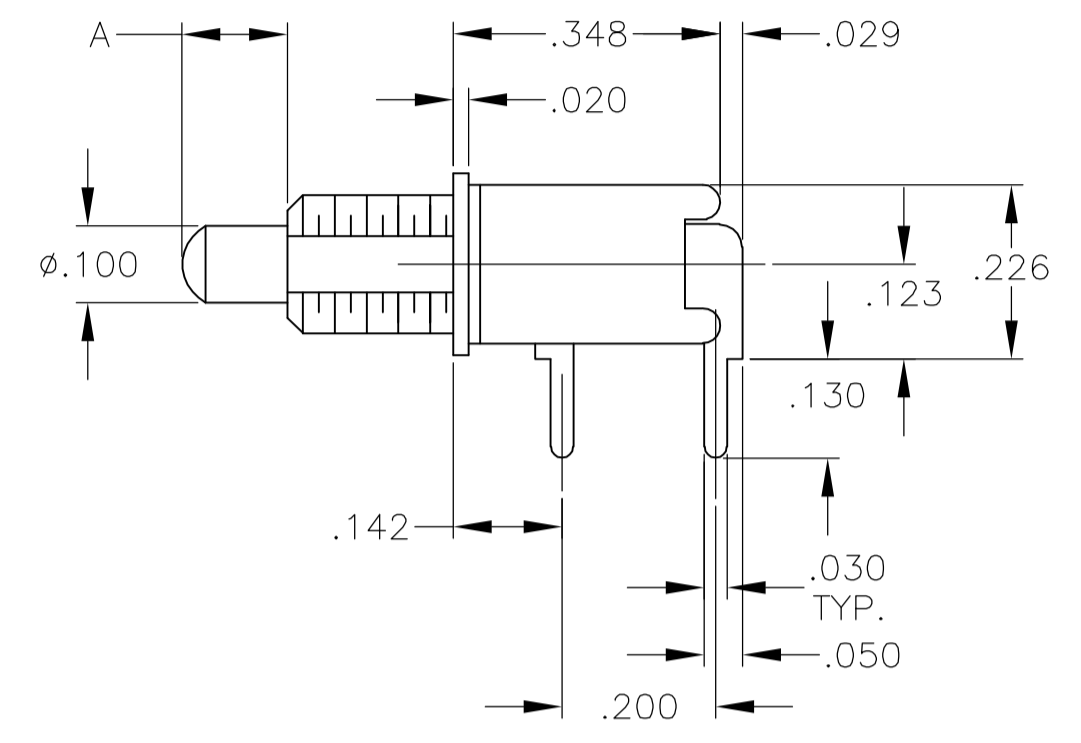
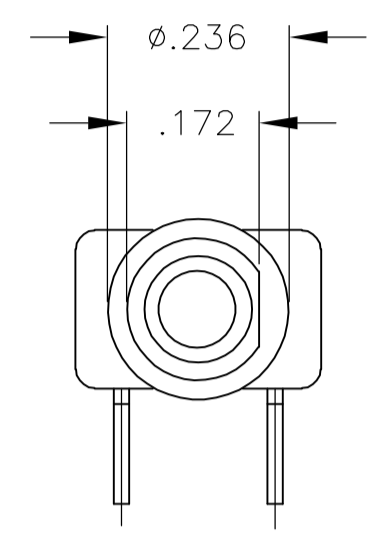
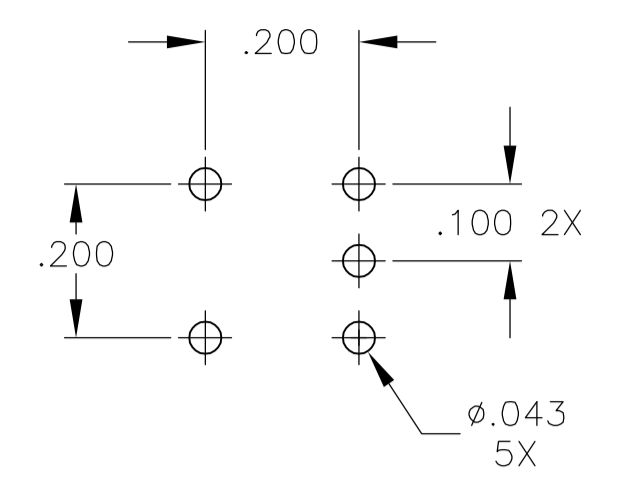
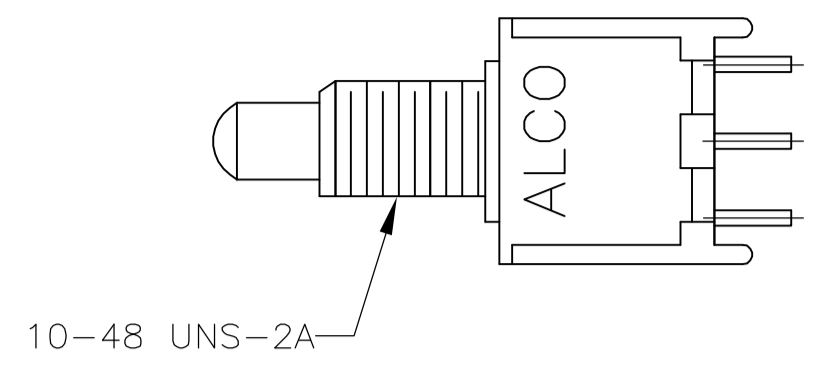


TPC11CGPC, TPC11FGPC
 TPCF11CGPC, TPC13CPC

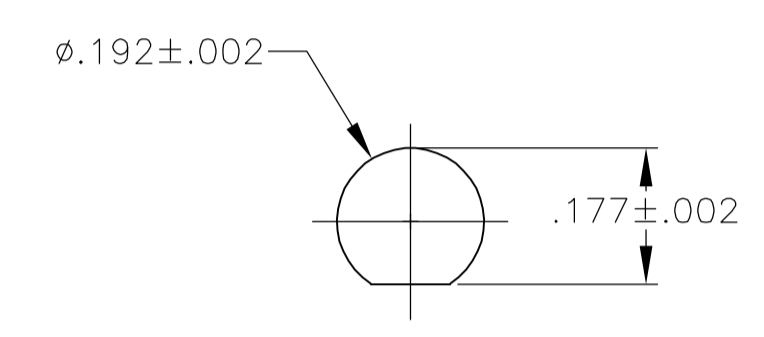


TPC21RGPC

THIS DRAWING IS A CONTROLLED DOCUMENT.		DWN RAGHU	12-5-05		Tyco Electronics Corporation Harrisburg, Pa 17105-3608
DIMENSIONS: INCHES		CHK ---	APVD ---		NAME PUSHBUTTON SWITCH, TPC SERIES
TOLERANCES UNLESS OTHERWISE SPECIFIED:		0 PLC ± - 1 PLC ± - 2 PLC ± - 3 PLC ± .010 4 PLC ± - ANGLES ± °		PRODUCT SPEC ---	APPLICATION SPEC ---
MATERIAL ---	FINISH ---	WEIGHT ---	SIZE A1	CAGE CODE 00779	DRAWING NO 1825098
CUSTOMER DRAWING			SCALE 4:1	SHEET 2 OF 5	REV A

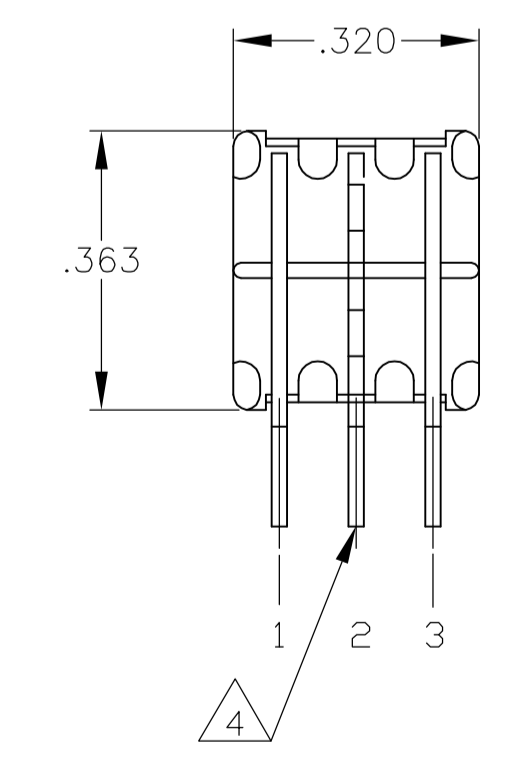
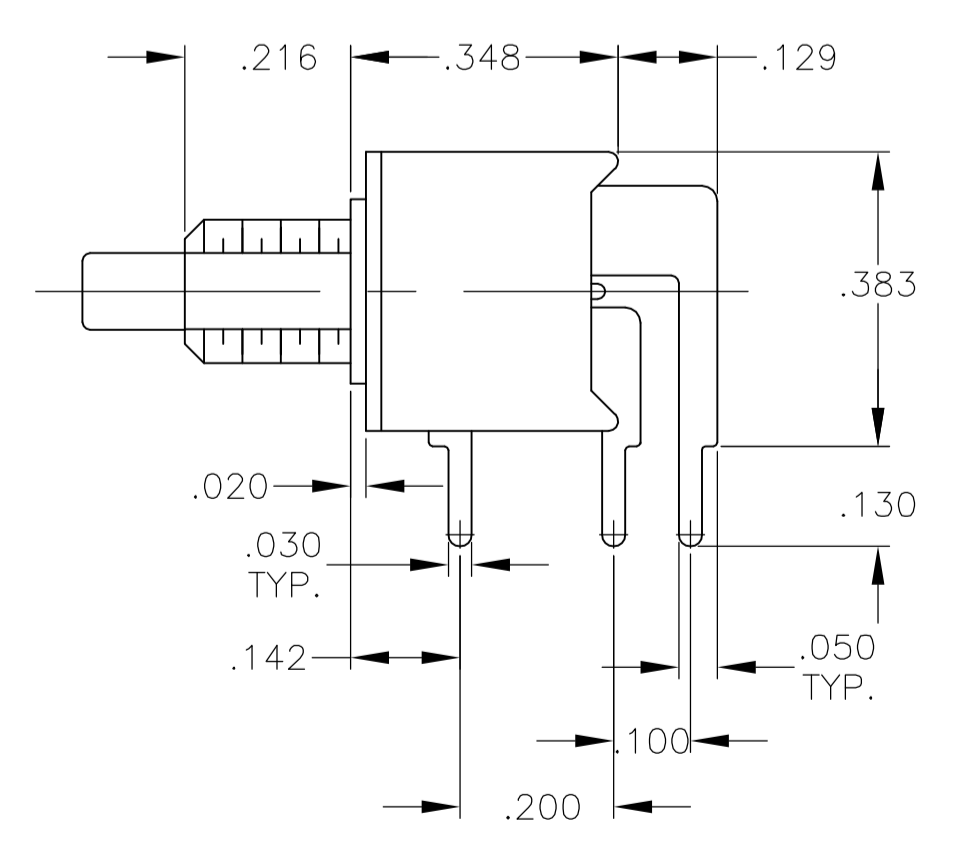
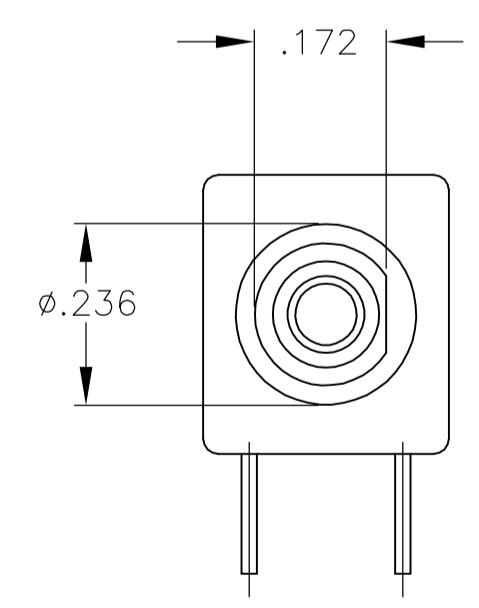
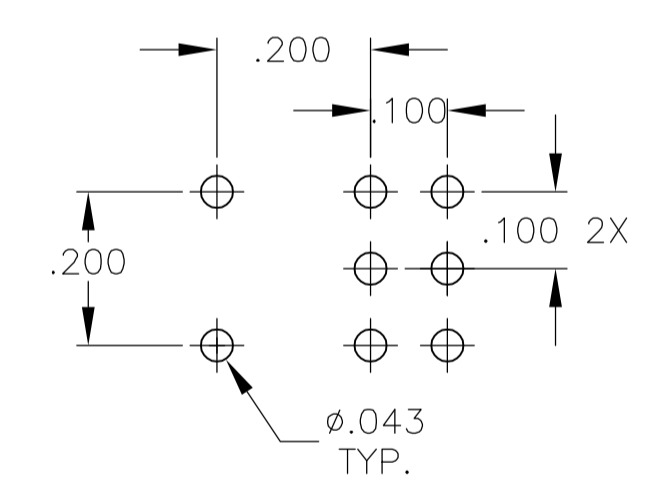
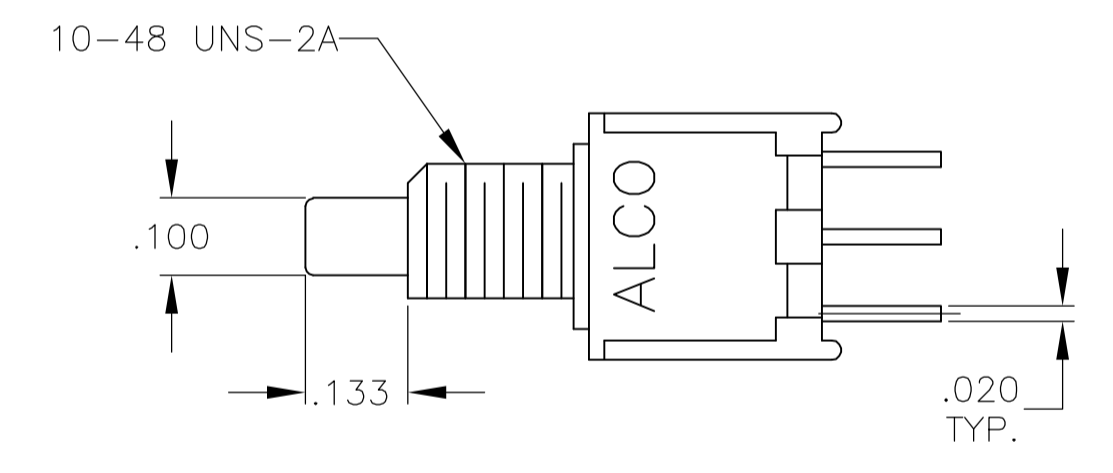


RECOMMENDED PCB LAYOUT
 TOLERANCES +/- .002

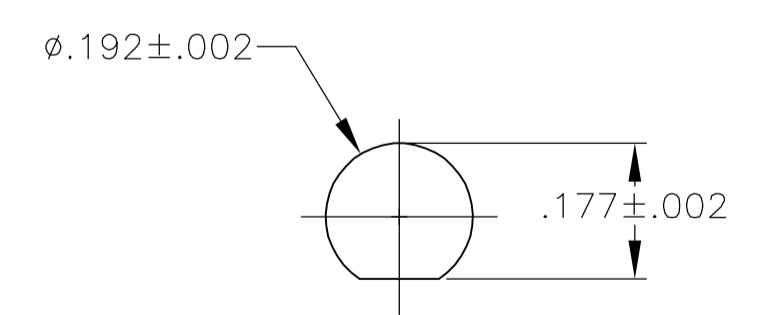


RECOMMENDED PANEL LAYOUT

TPC11CGRA, TPC11FGRA
 TPCF11CGRA, TPCF11FGRA



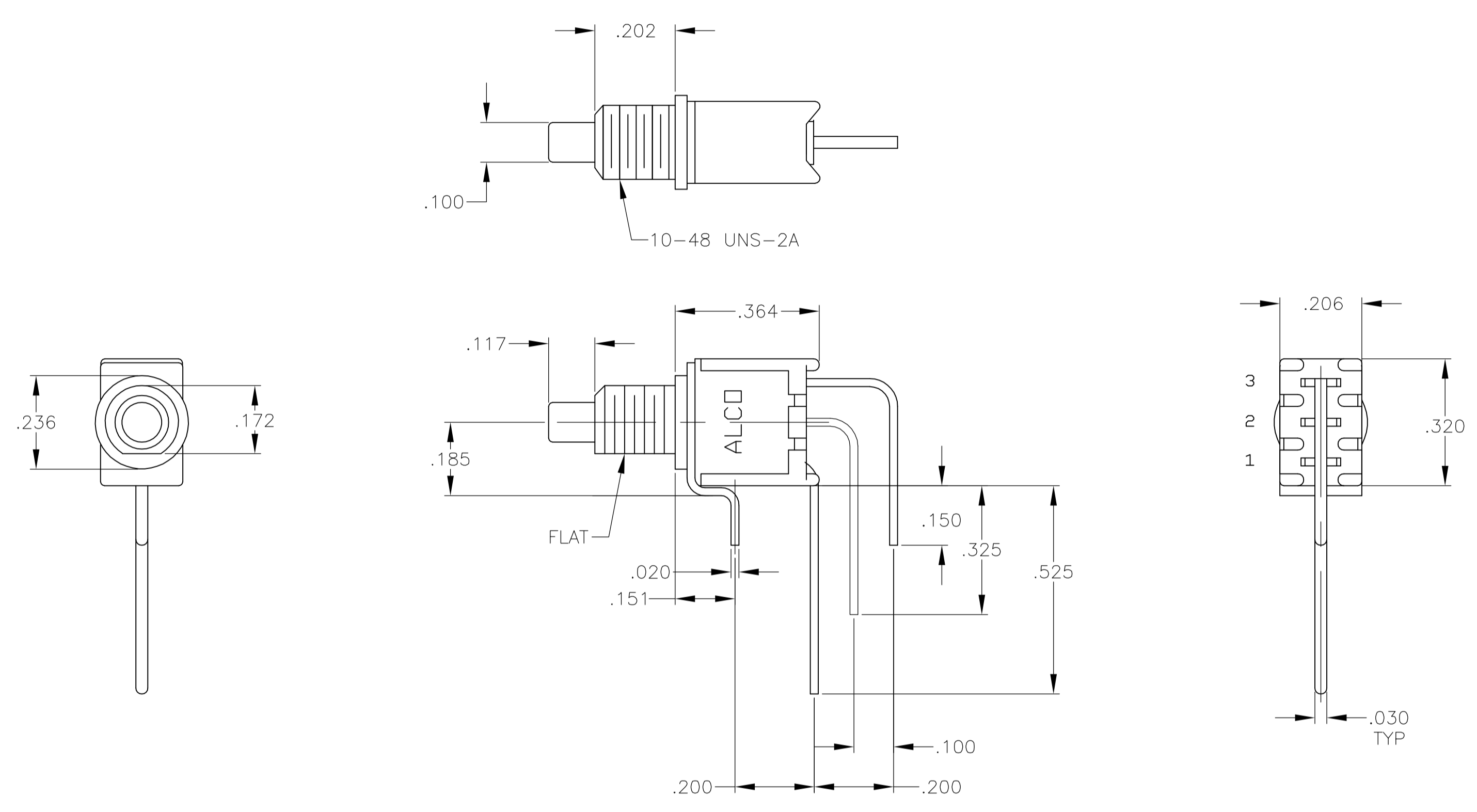
RECOMMENDED PCB LAYOUT
 TOLERANCES +/- .002



RECOMMENDED PANEL LAYOUT

TPC21MGRA

THIS DRAWING IS A CONTROLLED DOCUMENT.		DWN RAGHU	12-5-05		Tyco Electronics Corporation Harrisburg, Pa 17105-3608
DIMENSIONS: INCHES		CHK ---	APVD ---		NAME PRODUCT SPEC
TOLERANCES UNLESS OTHERWISE SPECIFIED:		0 PLC ± -		APPLICATION SPEC	RESTRICTED TO
1 PLC ± -		2 PLC ± -		SIZE	CAGE CODE
3 PLC ± .010		4 PLC ± -		DRAWING NO	1825098
ANGLES ± °		FINISH		WEIGHT	A100779
MATERIAL		CUSTOMER DRAWING		SCALE	4:1
				SHEET	3 OF 5
				REV	A

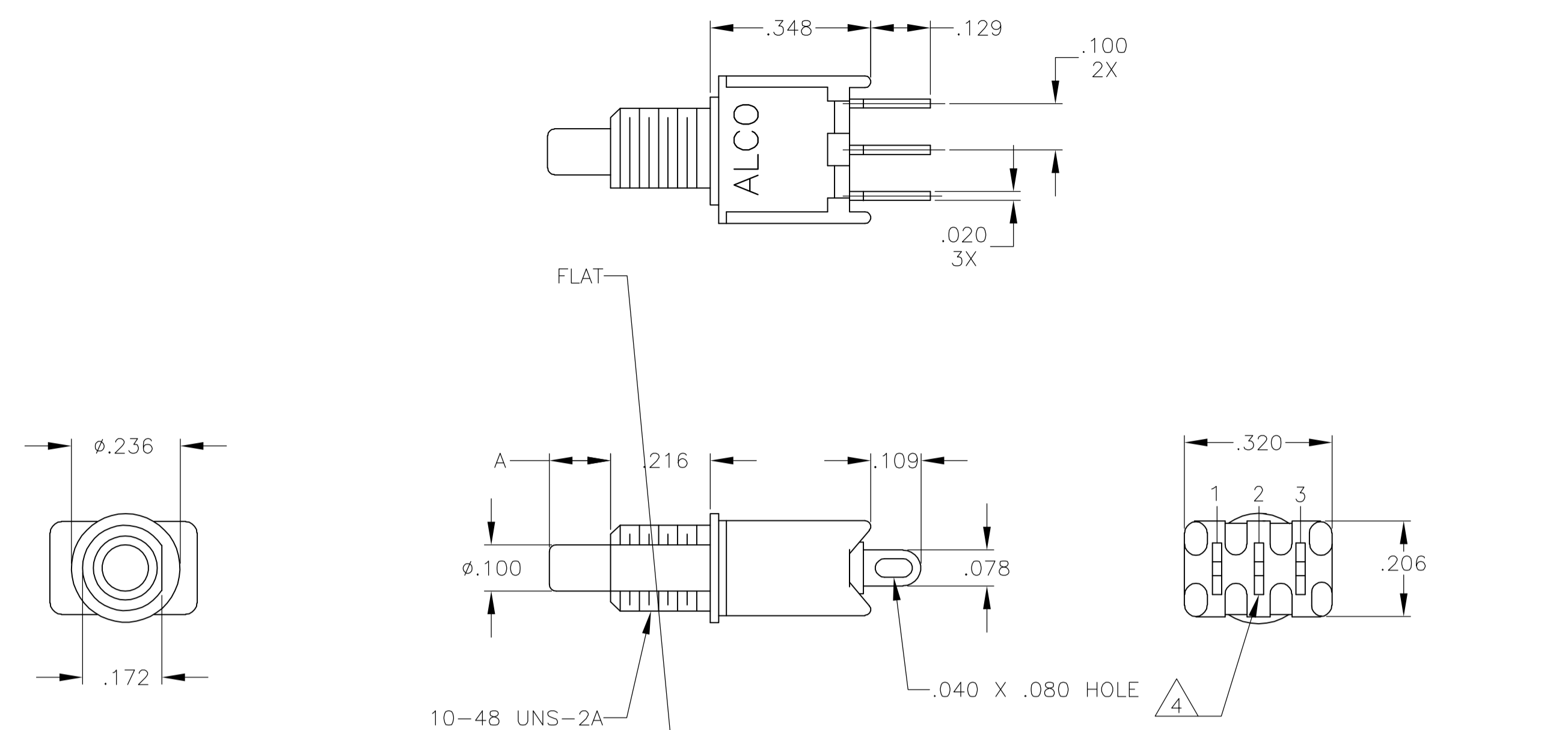


RECOMMENDED PCB LAYOUT
 TOLERANCES +/- .002

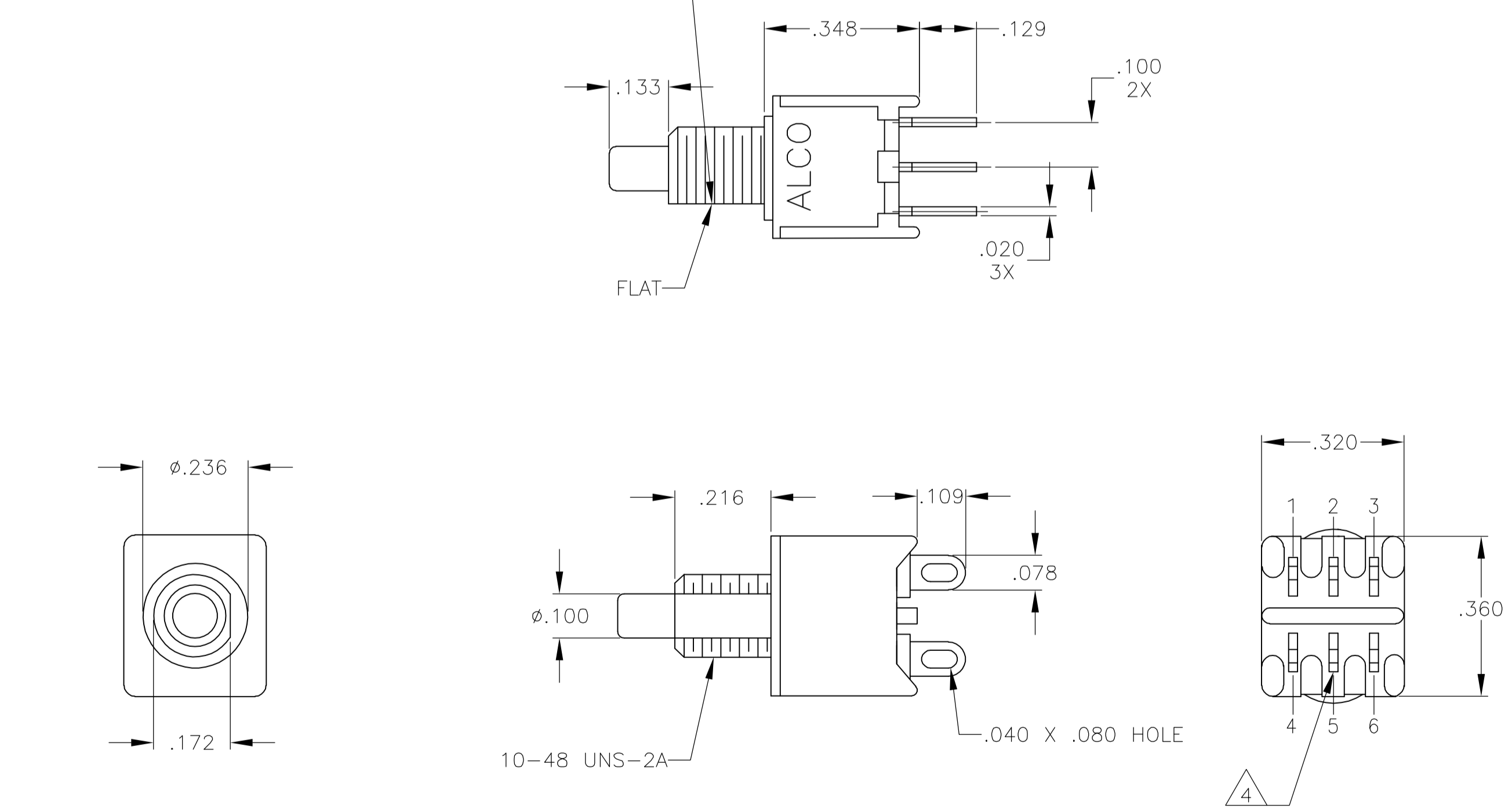
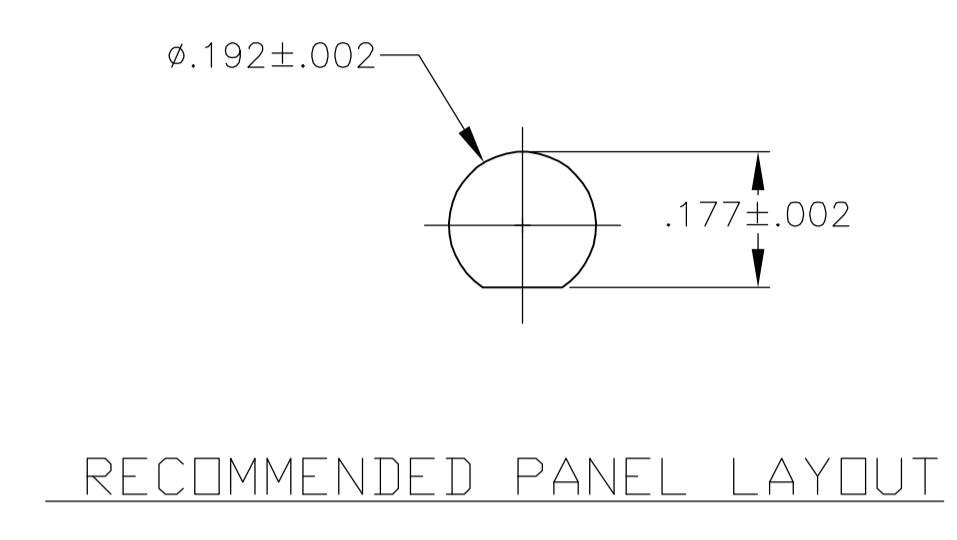
RECOMMENDED PANEL LAYOUT

TPC11CGVRA, TPC11FGVRA

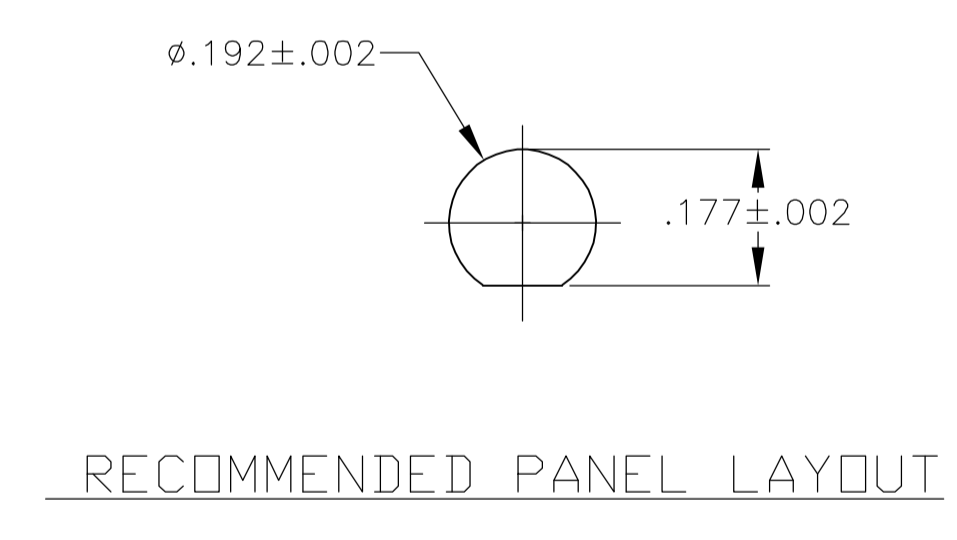
THIS DRAWING IS A CONTROLLED DOCUMENT.		DWG	12-5-05	tyco Electronics	Tyco Electronics Corporation Harrisburg, Pa 17105-3608
DIMENSIONS: INCHES		CHK	RAGHU		NAME
TOLERANCES UNLESS OTHERWISE SPECIFIED:		APVD		PRODUCT SPEC	
0 PLC	± .005	APPLICATION SPEC		SIZE	A1
1 PLC	± .005	WEIGHT		CAGE CODE	00779
2 PLC	± .005	CUSTOMER DRAWING		DRAWING NO	1825098
3 PLC	± .010	SCALE	4:1	RESTRICTED TO	
4 PLC	± .010	SHEET	4	OF	5
ANGLES	± .5°	REV			



TPC13C, TPC13F,
TPCF13C, TPC13F



TPC23M, TPC23R



THIS DRAWING IS A CONTROLLED DOCUMENT.		DIN	12-5-05	tyco Electronics	Tyco Electronics Corporation Harrisburg, Pa 17105-3608
		CHK	RAGHU		
DIMENSIONS:	TOLERANCES UNLESS OTHERWISE SPECIFIED:	APVD		PRODUCT SPEC	PUSHBUTTON SWITCH, TPC SERIES
INCHES		NAME		APPLICATION SPEC	
0 PLC ± -	1 PLC ± -	SIZE		WEIGHT	
2 PLC ± -	3 PLC ± .010	CAGE CODE		DRAWING NO	
4 PLC ± -	ANGLES ± 3'	RESTRICTED TO		A1 00779	1825098
MATERIAL	FINISH	CUSTOMER DRAWING	SCALE	4:1	SHEET 5 OF 5
					REV A