

THIS DRAWING IS UNPUBLISHED. RELEASED FOR PUBLICATION 1825006, 1825006  
 © COPYRIGHT 1825006 BY TYCO ELECTRONICS CORPORATION. ALL RIGHTS RESERVED.

Loc		DIST		REVISIONS			
AD	00	P	LTR	DESCRIPTION	DATE	DWN	APVD
		01		ECO 06 018279	21NOV06	BSV	MS

SPECIFICATIONS:

MATERIALS:

CASE-PPS, UL94V0-BLACK  
 COVER-PPS, UL94V0-BLACK  
 ACTUATOR-LCP, UL94V0-WHITE  
 CONTACTS AND TERMINALS-COPPER ALLOY, GOLD OVER NICKEL  
 TAPE SEAL-POLYIMIDE FILM

ELECTRICAL:

CONTACT RATING: NON-SWITCHING: 100mA @ 50VDC  
 SWITCHING: 25mA 24VDC  
 INITIAL CONTACT RESISTANCE: 100 MILLIOHMS MAX. @ 2VDC, 10mA  
 INSULATION RESISTANCE: 100 MEGOHMS MIN. @ 100VDC  
 DIELECTRIC STRENGTH: 300VAC FOR 1 MINUTE  
 LIFE EXPECTANCY: 1000 CYCLES

MECHANICAL:

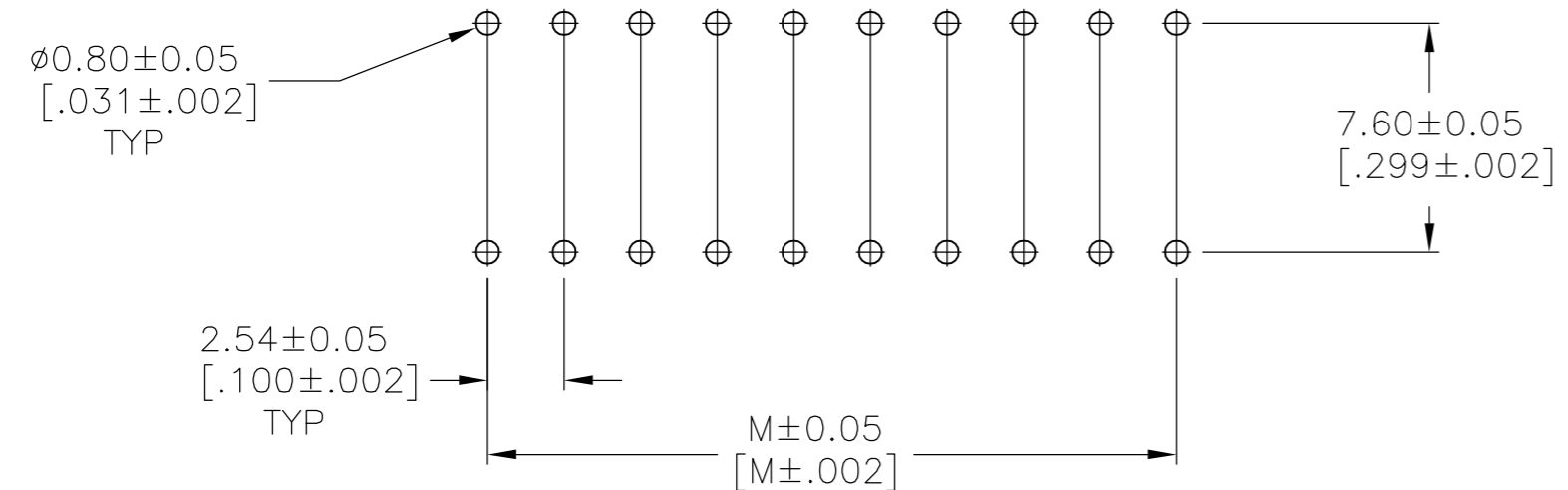
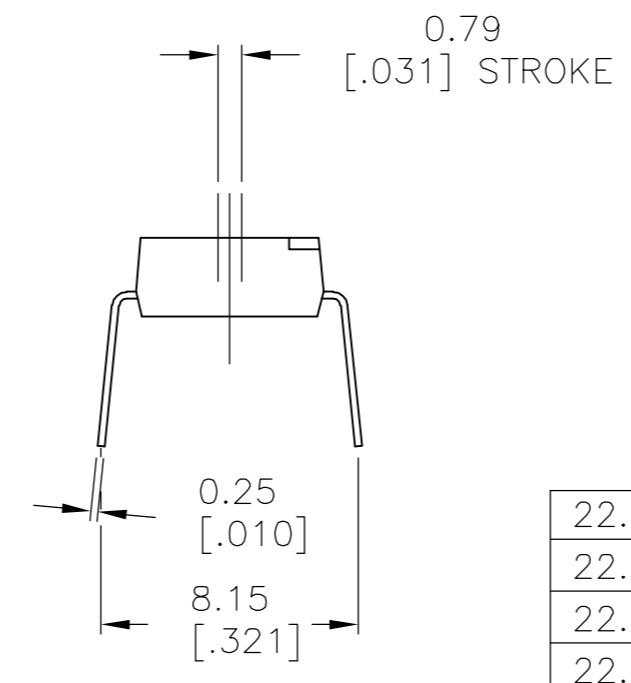
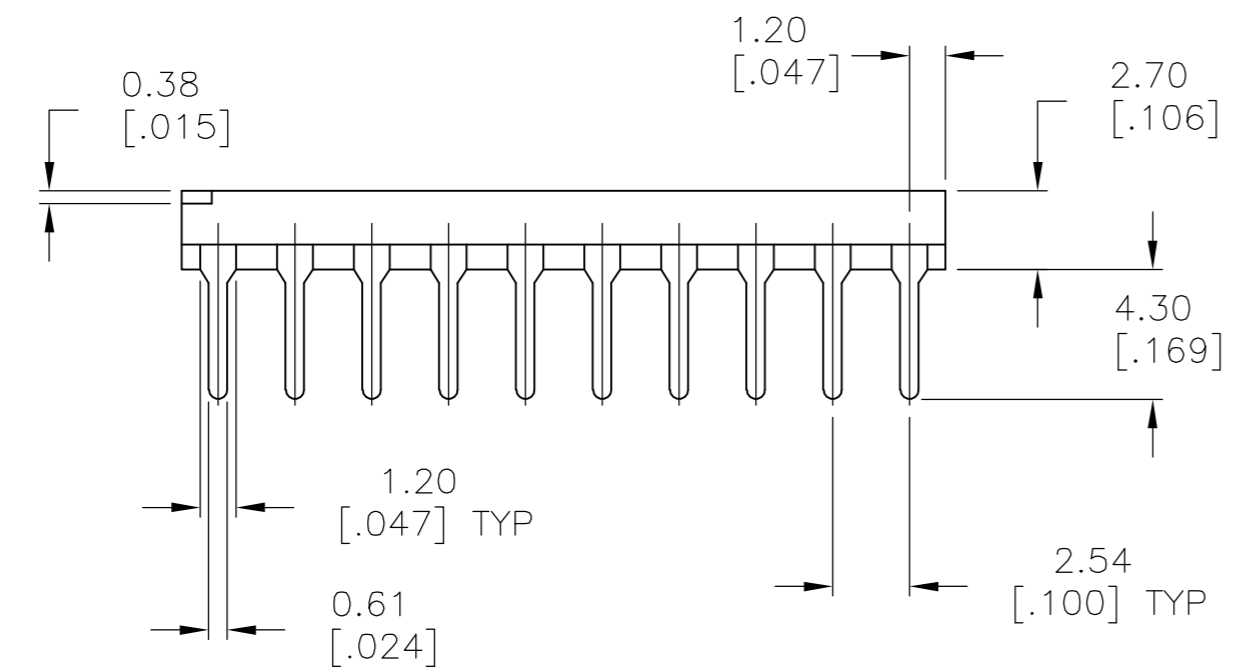
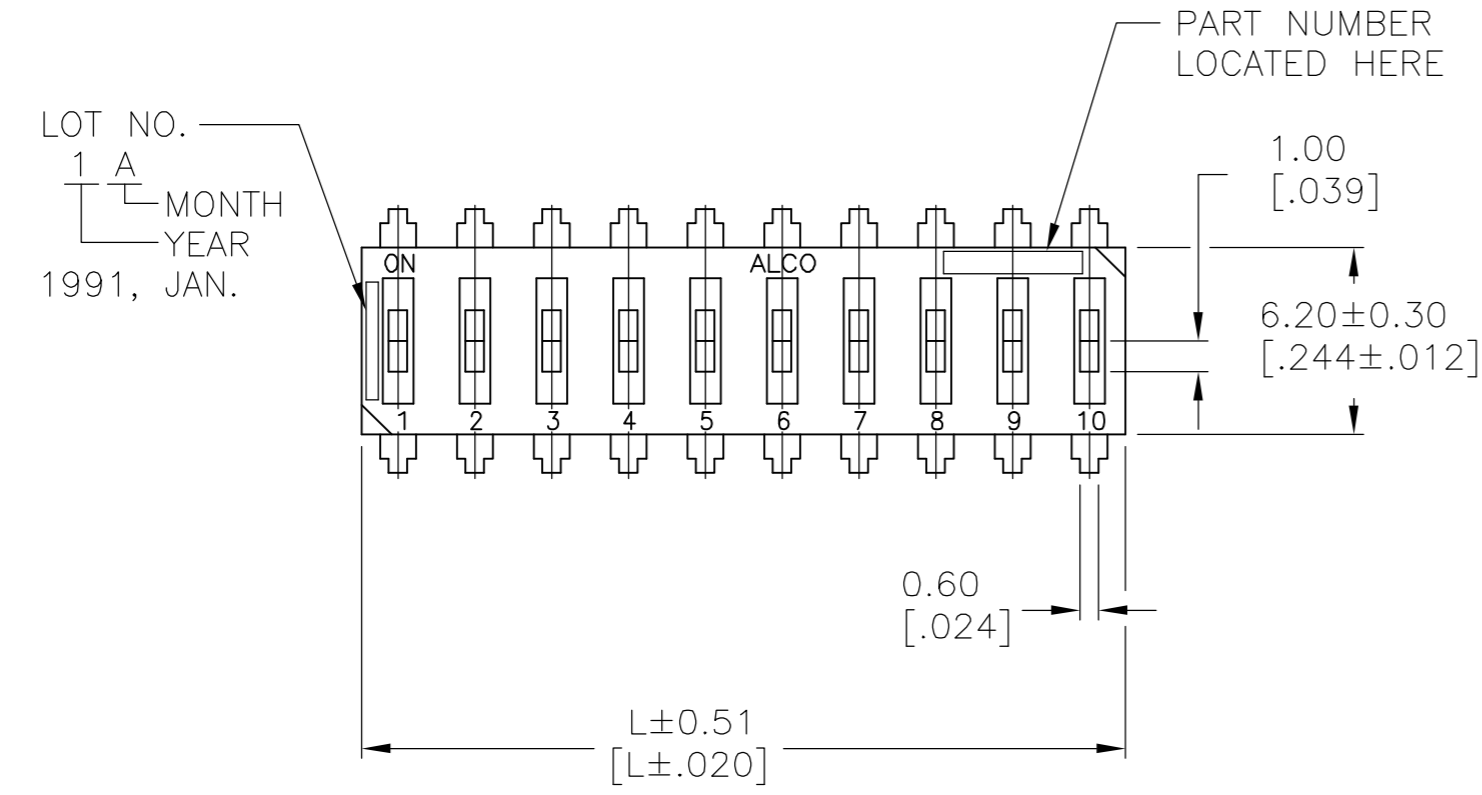
ACTUATION FORCE: 60-600 GRAMS

ENVIRONMENTAL:

OPERATING TEMPERATURE: -45°C TO +100°C  
 STORAGE TEMPERATURE: -45°C TO +100 °C  
 SOLDER HEAT RESISTANCE PER 109-202, CONDITION B (THRU-HOLE) OR 109-201, CONDITION B (SMT)  
 SOLDERABILITY PER JIS C 0500 & JIS C 0053

NOTES:

1. TAPE AND REEL PACKAGING PER EIA 481 - PART NO.S GDSXXSTR.
2. ALL MATERIALS AND FINISHES SHALL COMPLY WITH EU DIRECTIVE 2002/95/EC OF 27JAN2003 (ROHS)
3. SEE SHEET 2 FOR SURFACE MOUNTING DETAILS.



P.C.B. HOLE LAYOUT

22.86[.900]	25.25[.994]	TAPE	SMT	10	GDS10STR04	2-1825006-0
22.86[.900]	25.25[.994]	TAPE	SMT	10	GDS10S04	1-1825006-9
22.86[.900]	25.25[.994]	NONE	T/H	10	GDS10NTS04	1-1825006-8
22.86[.900]	25.25[.994]	TAPE	T/H	10	GDS1004	1-1825006-7
17.78[.700]	20.17[.794]	TAPE	SMT	8	GDS08STR04	1-1825006-6
17.78[.700]	20.17[.794]	TAPE	SMT	8	GDS08S04	1-1825006-5
17.78[.700]	20.17[.794]	NONE	T/H	8	GDS08NTS04	1-1825006-4
17.78[.700]	20.17[.794]	TAPE	T/H	8	GDS0804	1-1825006-3
12.7[.500]	15.09[.594]	TAPE	SMT	6	GDS06STR04	1-1825006-2
12.7[.500]	15.09[.594]	TAPE	SMT	6	GDS06S04	1-1825006-1
12.7[.500]	15.09[.594]	NONE	T/H	6	GDS06NTS04	1-1825006-0
12.7[.500]	15.09[.594]	TAPE	T/H	6	GDS0604	1825006-9
7.62[.300]	10.01[.394]	TAPE	SMT	4	GDS04STR04	1825006-8
7.62[.300]	10.01[.394]	TAPE	SMT	4	GDS04S04	1825006-7
7.62[.300]	10.01[.394]	NONE	T/H	4	GDS04NTS04	1825006-6
7.62[.300]	10.01[.394]	TAPE	T/H	4	GDS0404	1825006-5
2.54[.100]	4.93[.194]	TAPE	SMT	2	GDS02STR04	1825006-4
2.54[.100]	4.93[.194]	TAPE	SMT	2	GDS02S04	1825006-3
2.54[.100]	4.93[.194]	NONE	T/H	2	GDS02NTS04	1825006-2
2.54[.100]	4.93[.194]	TAPE	T/H	2	GDS0204	1825006-1
DIM M	DIM L	SEAL	MTG	POLE	OLD T&B P/N	TYCO P/N

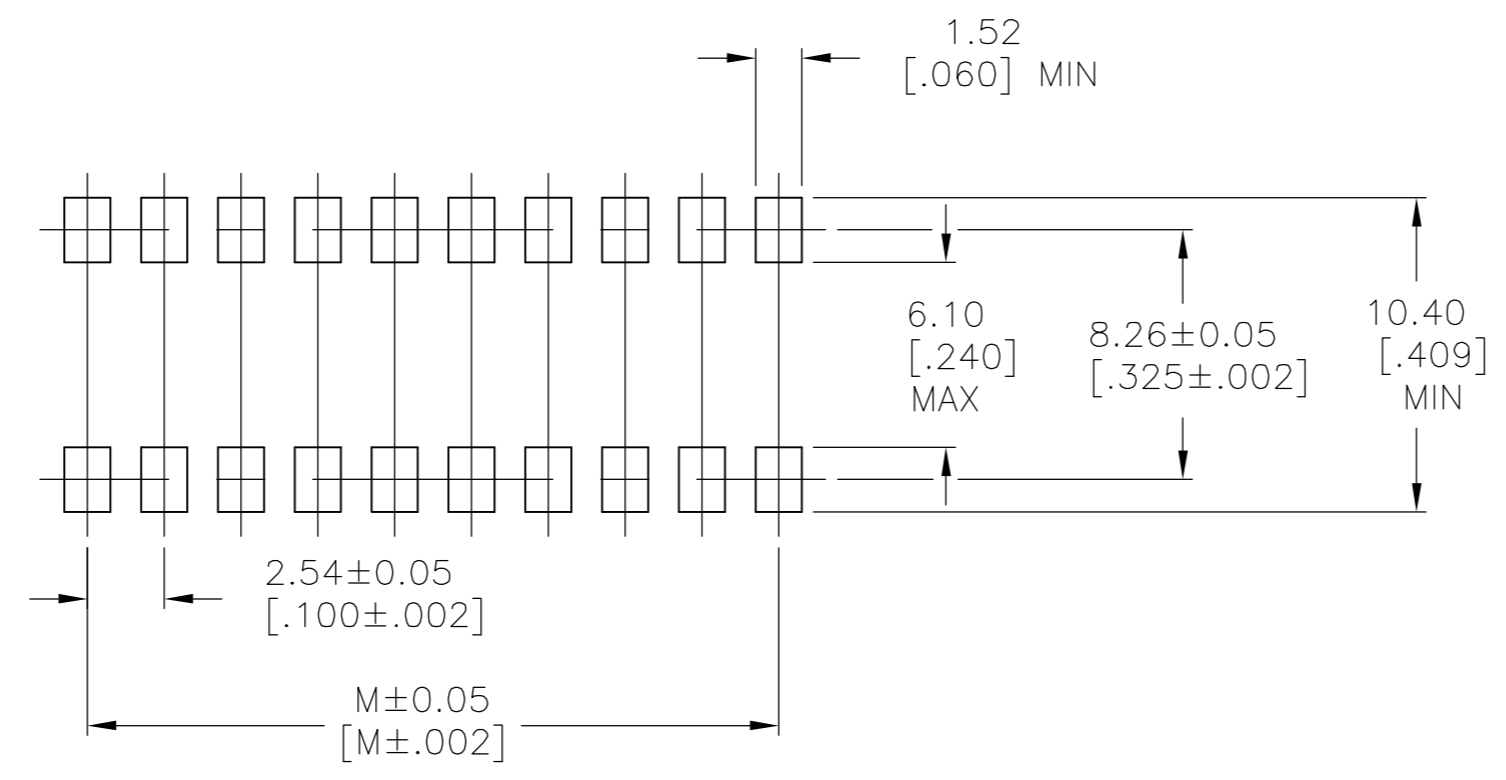
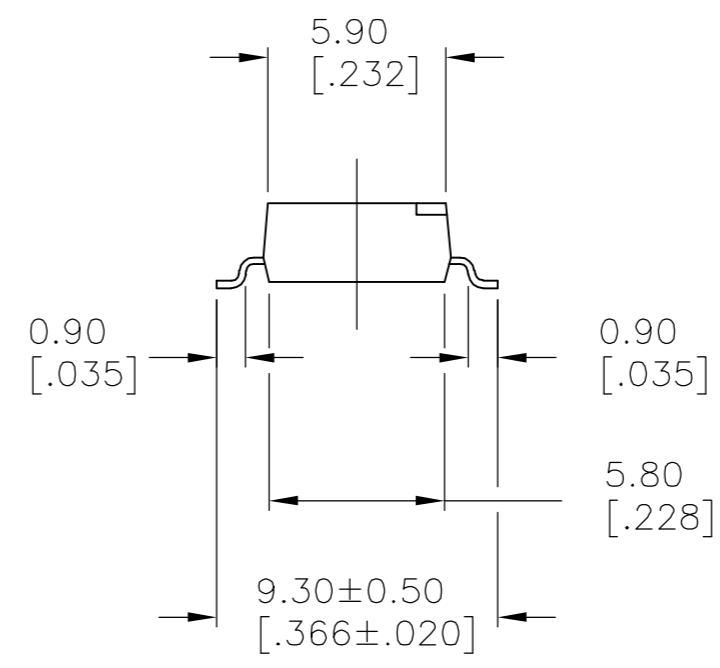
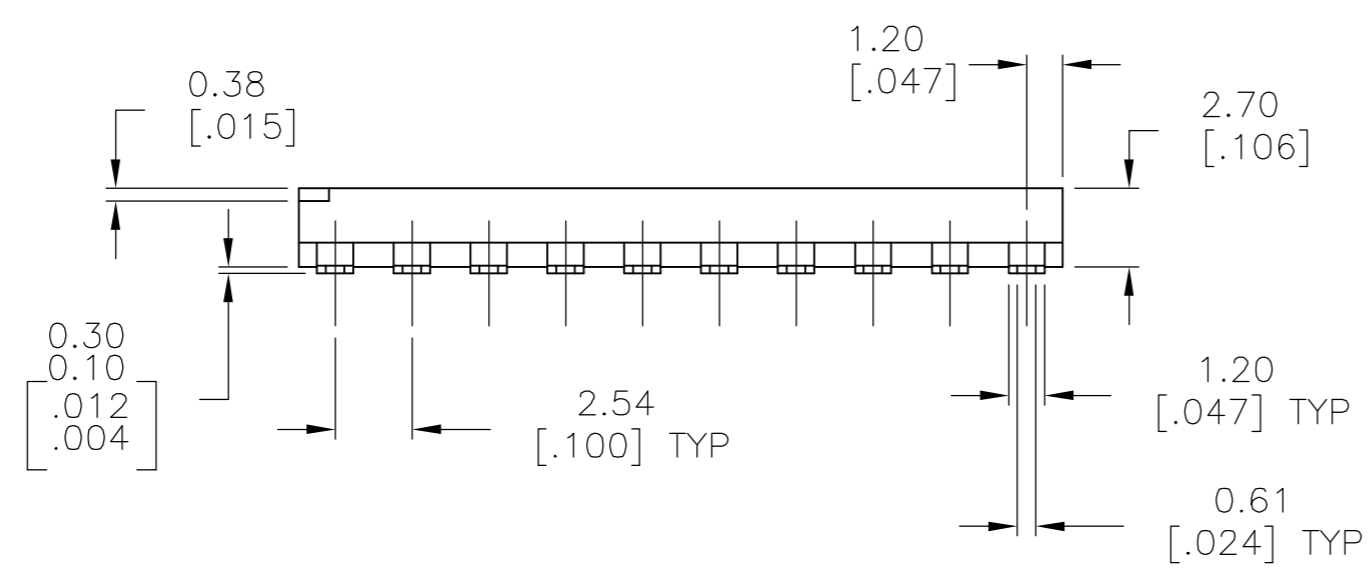
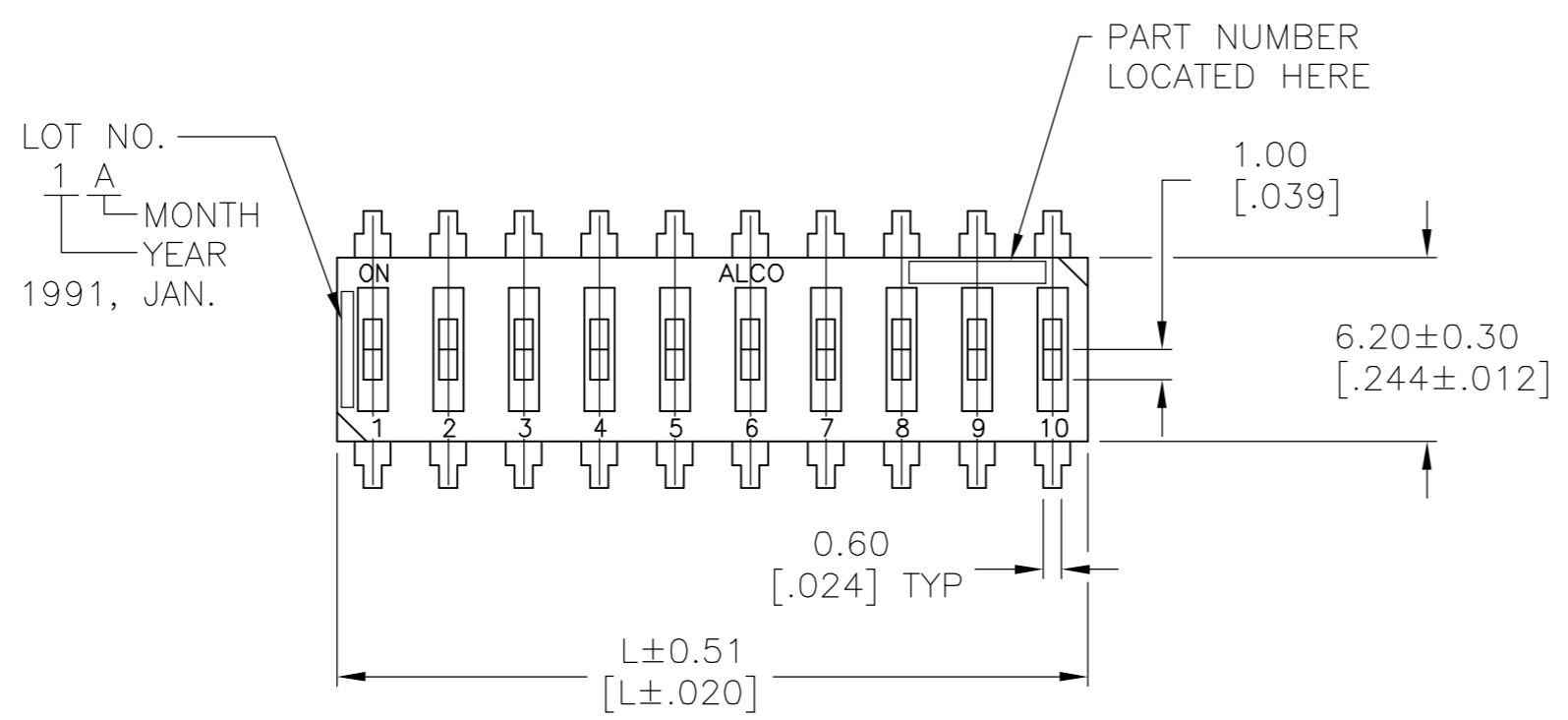
THIS DRAWING IS A CONTROLLED DOCUMENT.

DIMENSIONS: mm [INCHES]	TOLERANCES UNLESS OTHERWISE SPECIFIED: 0 PLC ± - 1 PLC ± - 2 PLC ± 0.25[.010] 3 PLC ± - 4 PLC ± - ANGLES ± 1°	DWN B.S.VISWESWARA 03MAR05 CHK M.S.SARVER APVD M.S.SARVER PRODUCT SPEC APPLICATION SPEC	Tyco Electronics Corporation Harrisburg, Pa 17105-3608 NAME DIP SWITCH ASSEMBLY GDS SERIES
MATERIAL	FINISH	WEIGHT	SIZE A2 CAGE CODE 00779 DRAWING NO C=1825006 RESTRICTED TO - SCALE 4:1 SHEET 1 OF 2 REV 01

CUSTOMER DRAWING

THIS DRAWING IS UNPUBLISHED. RELEASED FOR PUBLICATION 1825006, 1825006  
 © COPYRIGHT 1825006 BY TYCO ELECTRONICS CORPORATION. ALL RIGHTS RESERVED.

Loc	DIST	REVISIONS			
P	LTR	DESCRIPTION	DATE	DWN	APVD
AD	00	SEE SHEET 1	-	-	-



SURFACE MOUNT PAD LAYOUT

THIS DRAWING IS A CONTROLLED DOCUMENT.		DWN B.S.VISWESWARA	03MAR05	<b>tyco</b> Tyco Electronics Corporation	
DIMENSIONS: mm [INCHES]		CHK M.S.SARVER		Harrisburg, Pa 17105-3608	
TOLERANCES UNLESS OTHERWISE SPECIFIED:		APVD -		NAME DIP SWITCH ASSEMBLY GDS SERIES	
0 PLC ± -		PRODUCT SPEC -		SIZE A2	CAGE CODE 00779
1 PLC ± -		APPLICATION SPEC -		DRAWING NO C=1825006	RESTRICTED TO -
2 PLC ± 0.25[.010]				SCALE 4:1	SHEET 2 OF 2
3 PLC ± -				REV 01	
4 PLC ± -					
ANGLES ± 1°					
MATERIAL -	FINISH -	WEIGHT -			
CUSTOMER DRAWING					